

# WHOLE HOUSE WATER SOFTENING SYSTEMS



## APPLICATIONS

- ◆ Whole House

## FEATURES • BENEFITS

- ◆ Simple, electronic system for easy programming; maintains settings during power outages
- ◆ Automatic bypass for uninterrupted water flow to the home during regeneration
- ◆ Singular, rotary disc seal for longer life and lower maintenance
- ◆ Self-cleaning brine injector reduces maintenance
- ◆ Safety valve prevents brine tank overflow
- ◆ Highly-efficient, chlorine-resistant resin for longer life
- ◆ Demand-initiated system regenerates when necessary, based on water usage, saving salt and water
- ◆ 1.0, 1.5 and 2.0 cubic foot capacities available to meet household demand requirements

## SPECIFICATIONS

PART NO.	35920	35921	35922
Rated Service Flow (gpm)	11.6	11.9	13.2
Pressure Drop at Rated Service Flow Rate (psi)	12	15	15
Rated Capacity (grains @ lbs of salt)	17,500 @ 3.9 lbs 25,200 @ 9.8 lbs 33,500 @ 15.6 lbs	24,300 @ 5.2 lbs 37,000 @ 14.3 lbs 48,600 @ 23.4 lbs	34,600 @ 7.5 lbs 50,400 @ 18.75 lbs 64,000 @ 30 lbs
Rated Efficiency (grains/lb salt @ lbs of salt)	4,487 /lb. salt @ 3.9 lbs	4,637 /lb. salt @ 5.2 lbs	4,613 /lb. salt @ 7.5 lbs
Gel Resin, Na Charged (cu ft)	1.0	1.5	2.0
Resin Tank Size (dia x h)	10" x 44"	10" x 54"	12" x 48"
Brine Tank Size (dia x h)	18" x 33"	18" x 33"	18" x 33"
Backwash (gpm)	2.5	2.5	3.5

## VALVE SPECIFICATIONS

Valve Body	Glass-Filled Thermoplastic
Rubber Components	Compounded For Cold Water
Operating Pressure	20 - 120 psi (1.38 - 8.27 bar)
Water Temperature	40° - 100°F (4.4° - 38°C)
Ambient Temperature	40° - 100°F (4.4° - 38°C)

## POWER REQUIREMENTS

Input Supply Frequency	50 or 60 Hz
Motor Input Voltage	24 Volt - DC
Controller System Power Consumption	3 Watts Average
Transformer Input Options	115 Volt - AC 50/60 Hz
Transformer Output Voltage	24 Volt - AC 500 mA

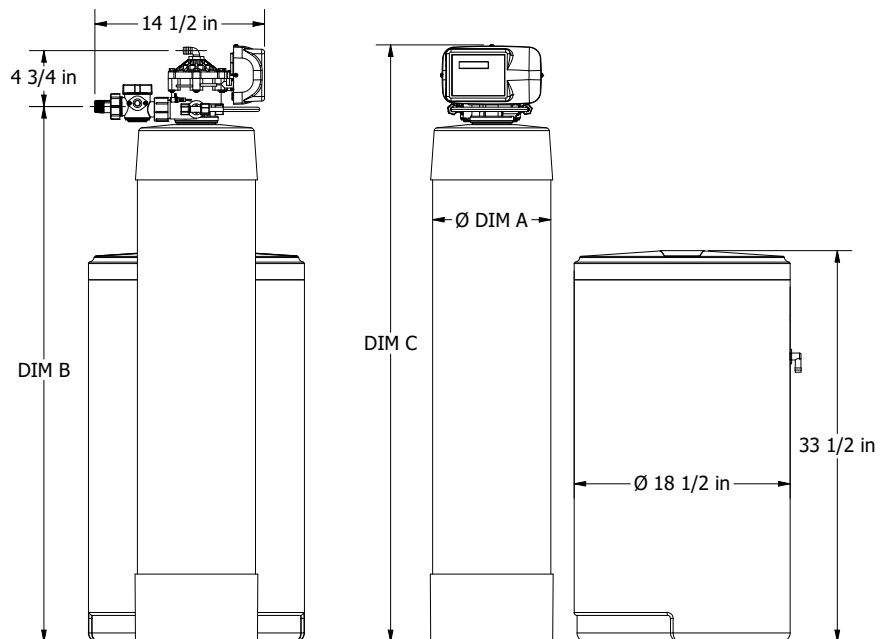
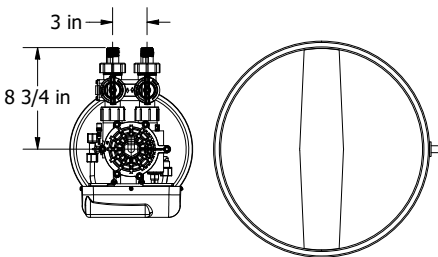
## CYCLE INFORMATION

Downflow/Upflow	Downflow Only
Adjustable Cycles	Yes
5 Cycle Valve	1) Service/Home 2) Backwash 3) Brine Draw 4) Fast Rinse 5) Brine Fill

## VALVE CONNECTIONS

Tank Thread	2-1/2" - 8, Male
Drain Line	3/4" NPT, Female
Brine Line	3/8" Tube Fitting
In/Out Bypass Valve	Included
Drain Line Elbow Fitting	1/2" Hose Barb Included
In/Out Plumbing Connection	3/4" NPT, Male Plastic Fittings

Tank Size	DIM A	DIM B	DIM C
10x44	10-1/4 in	46 in	51 in
10x54	10-1/4 in	55-7/8 in	61-1/4 in
12x48	12 in	50 in	55-1/4 in



13845 Bishops Dr. | Suite 200 | Brookfield, WI 53005 | United States  
 Customer Service: 800.811.3489 | [systems-tech-support@pentair.com](mailto:systems-tech-support@pentair.com) | [pentair.com](http://pentair.com)

All indicated Pentair trademarks and logos are property of Pentair. Third party registered and unregistered trademarks and logos are the property of their respective owners.

© 2020 Pentair Residential Filtration, LLC. All rights reserved.

4005646 Rev A JA20