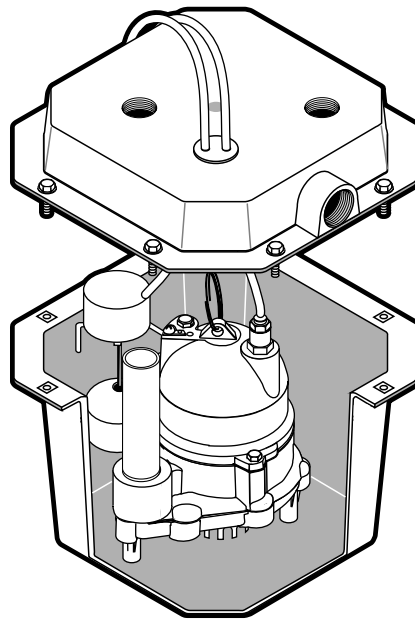


MYERS®**ED33V1****Installation/Operation/Parts**

For further operating, installation,
or maintenance assistance:

Call 1-888-987-8677

DESCRIPTION

Myers Drainer Pre-Plumbed System, Model Number ED33V1, is ideal for home wastewater removal from beautician or utility sinks and wet bars, and for drain water transfer from air conditioners or dehumidifiers. 1/3 HP submersible pump unit is equipped with a 3-prong grounding-type power cord. Motor is oil-filled (dielectric oil) and sealed for cooler running. Upper sleeve/lower ballbearing on motor shaft never need lubrication. Automatic reset thermal protection.

SPECIFICATIONS

Power supply required.....115V, 60 Hz.
 Liquid temp. range..... 32° to 130°F
 Individual branch circuit required (minimum)..... 15 Amps
 Discharge..... 1-1/2" NPT

UNPACKING AND INSPECTION

Handle with care. Check items received against packing list to be sure that all equipment has been received. Inspect for shipping damage. If found, file claim with carrier immediately.

GENERAL SAFETY INFORMATION

Electrically powered sump pumps normally give many years of trouble-free service when correctly installed, maintained, and used. However, unusual circumstances (interruption of power to the pump, dirt/debris in the sump, flooding that exceeds the pump’s capacity, electrical or mechanical failure in the pump, etc.) may prevent the pump from functioning normally. To prevent possible water damage due to flooding, consult your dealer about installing a high water alarm. See the “Troubleshooting Chart” in this manual for information about common sump pump problems and remedies. For more information, see your dealer or call customer service.

1. Know the pump application, limitations, and potential hazards.
2. Disconnect power before servicing.
3. Release all pressure within system before servicing any component.
4. Drain all water from system before servicing.

PERFORMANCE

Model	HP	GPM of Water @ Total Feet of Head				Shutoff
		5'	10'	15'	20'	
ED33V1	1/3*	48.0	40.0	29.0	15.0	24'

SPECIFICATIONS

HP	Motor Full Load Amps	Switch Setting		Height	Top Width	Bottom Width	Weight
		On	Off				
1/3*	9.8	7"	2"	13-3/4"	15-1/8"	12"	32 lbs.

* 1/3 HP performance

5. Secure discharge line before starting pump. An unsecured discharge line will whip, possibly causing personal injury and/or property damage.
 6. Check hoses for weak or worn condition before each use, making certain that all connections are secure.
 7. Periodically inspect system components. Keep free of debris and foreign objects. Perform routine maintenance as required.
 8. Provide means of pressure relief for pumps whose discharge line can be shut-off or obstructed.
 9. Personal Safety:
 - a. Wear safety glasses at all times when working with pumps.
 - b. Keep work area clean, uncluttered and properly lighted – replace all unused tools and equipment.
 - c. Keep visitors at a safe distance from work area.
 - d. Make workshop child-proof – with padlocks, master switches, and by removing starter keys.
 10. When wiring an electrically driven pump, follow all electrical and safety codes that apply.
 11. This equipment is only for use on 115 volt (single phase) and is equipped with an approved 3-conductor cord and 3-prong, grounding-type plug.
- ▲WARNING** To reduce risk of electric shock, pull plug before servicing. This pump has not been investigated for use in swimming pool areas. Pump is supplied with a grounding conductor and grounding-type attachment plug. Be sure it is connected only to a properly grounded grounding-type receptacle. Where a 2-prong wall receptacle is encountered, it must be replaced with a properly grounded 3-prong receptacle installed in accordance with codes and ordinances that apply.
12. All wiring should be performed by a qualified electrician.
 13. Make certain power source conforms to requirements of your equipment.
 14. Protect electrical cord from sharp objects, hot surfaces, oil, and chemicals. Avoid kinking cord. Replace or repair damaged or worn cords immediately.
 15. Do not touch an operating motor. Modern motors are designed to operate at high temperatures.

⚠️ WARNING Risk of electric shock. If your basement has water or moisture on the floor, do not walk on wet area until all power has been turned off. If shut-off box is in basement, call electric company or hydro authority to shut-off service to house, or call your local fire department for instructions. Remove and replace system. Failure to follow this warning can result in fatal electrical shock.

⚠️ WARNING Risk of electric shock. Do not handle pump or pump motor with wet hands or when standing on wet or damp surface, or in water. Always disconnect the pump and switch from the electrical power source before doing any maintenance.

16. Pump water only with this pump.

California Proposition 65 Warning

⚠️ WARNING This product and related accessories contain chemicals known to the State of California to cause cancer, birth defects or other reproductive harm.

ASSEMBLY

Steps 1 and 2 (See Figure 1)

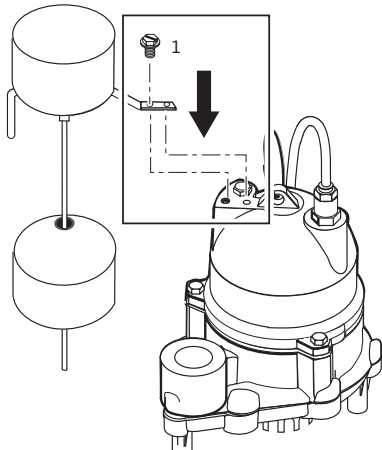


Figure 1

Step 3 (See Figure 2)

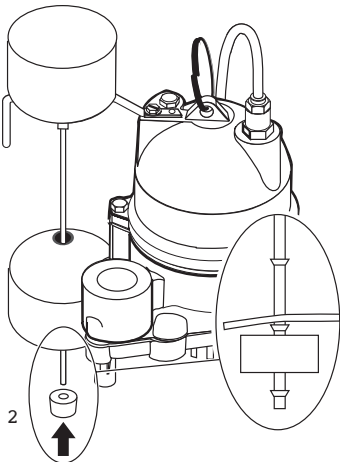


Figure 2

Step 4 (See Figure 3)

Install the discharge pipe hand-tight plus one-half turn.

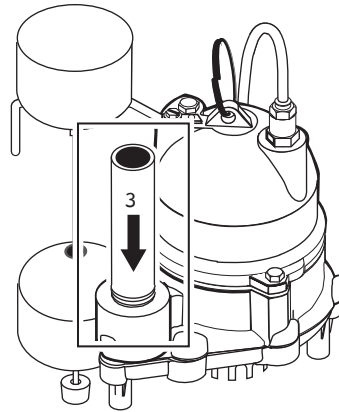


Figure 3

Step 5 (See Figure 4)

Place the pump in the basin as shown. Align the discharge with one of the threaded ports in the cover.

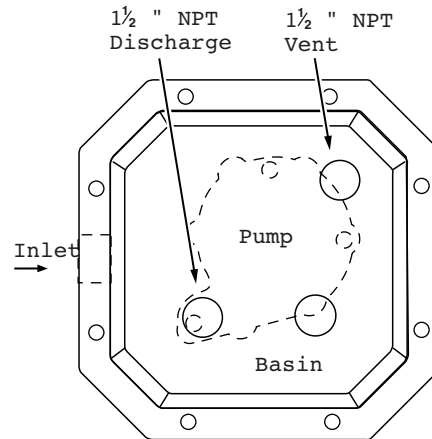


Figure 4

Step 6 (See Figure 5)

Turn the cover upside down and 'lay in' the basin gasket as shown.

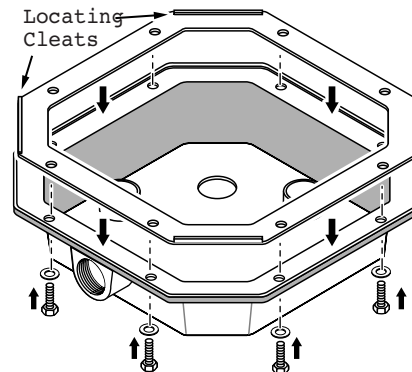


Figure 5

IMPORTANT: To prevent leaks, be sure that the cleats on the corners of the basin gasket are up with the cover upside down (that is, not pressed into the sealing face of the cover).

Step 7 (See Figure 5)

Push the screws with their washers installed up through the holes in the rim of the cover and in the basin gasket (the cover will retain the screws).

Step 8 (See Figure 6)

- Align the cover with the discharge pipe and cords.
- Pull the cords through the non-threaded hole in the basin cover.
- Place the cover over the discharge pipe.
- Install the cords in the cord grommet
- Install the cord/grommet assembly in the non-threaded hole in the basin cover; don't pull the cords tight.

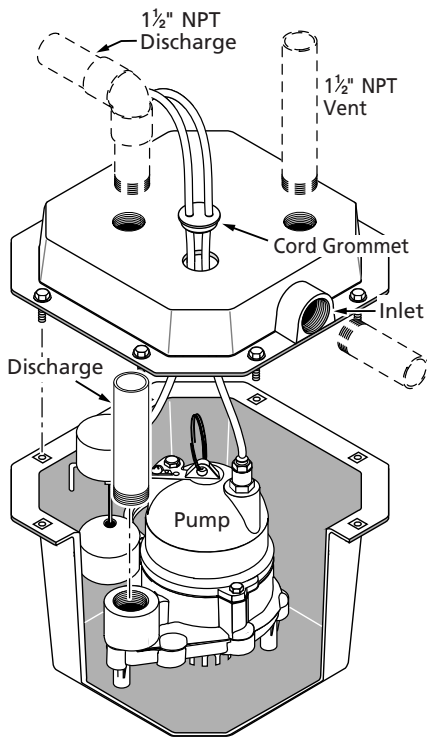


Figure 6

Step 9 (See Figure 6)

Fasten the basin cover to the basin with the capscrews previously inserted in the cover (Step 7).

IMPORTANT: To prevent leaks, be sure the locating cleats on the corners of the basin gasket are outside the edges of the basin rim, not pressing against the rim.

INSTALLATION (See Figure 7)

The basin (system) should be located at the lowest place possible relative to the area to be drained.

NOTE: Make sure that the inlet of the pre-plumbed system is lower than the water to be pumped.

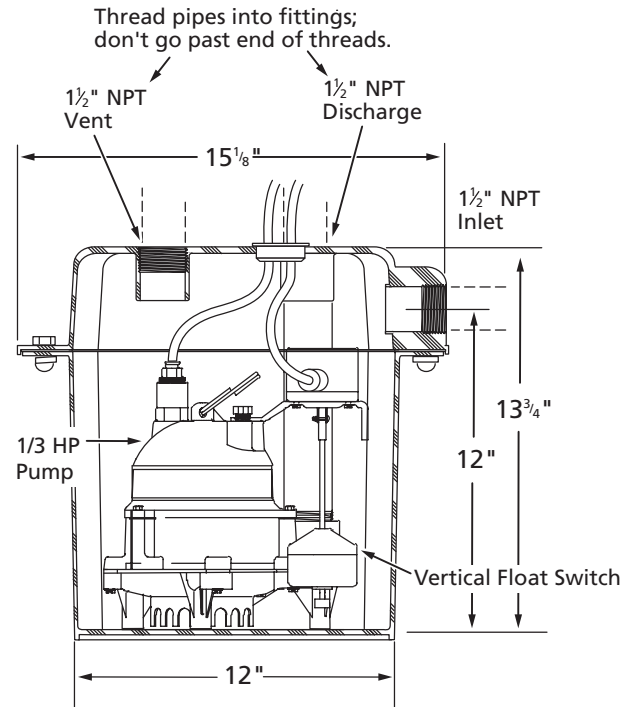


Figure 7 – Drainer Pre-Plumbed System Dimensions

1. Install inlet pipe in opening as shown. Use RTV sealants or PTFE pipe thread sealant tape to seal threads. See Figures 8, 9, and 10, page 4 and 5, for typical installation arrangements.

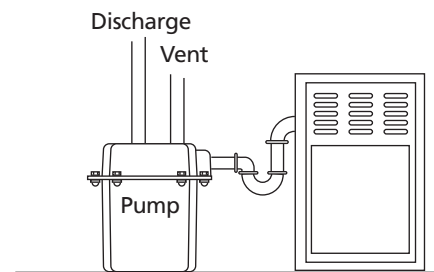


Figure 8 – Typical installation to remove air conditioner condensate or dehumidifier water

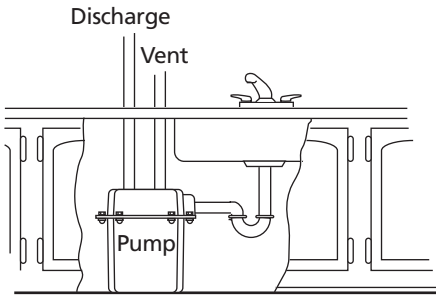


Figure 9 – Typical wet bar installation

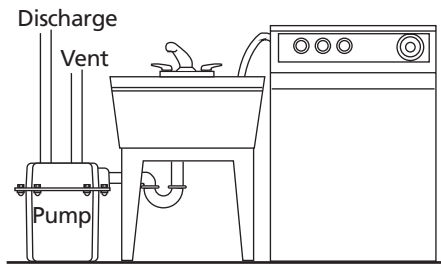


Figure 10 – Typical installation for laundry sinks and washing machines

2. Install discharge plumbing. When using rigid pipe, use plastic pipe. Wrap thread with PTFE pipe thread sealant tape. Screw pipe into discharge fitting hand tight +1 – 1-1/2 turns.

NOTE: Do not use ordinary pipe joint compound on plastic pipe. Pipe joint compound can attack plastics.

3. To reduce motor noise and vibrations, a short length of rubber hose (1-7/8" I.D., e.g. radiator hose) can be connected into discharge line near pump using suitable clamps.
4. Install an in-line check valve to prevent flow backwards through pump when pump shuts off.
5. Thread vent pipe into 1-1/2" NPT black vent fitting in basin cover. Pipe should not extend into basin. Connect vent pipe to sewer vent system.
6. Power Supply: Pump is designed for 115 V., 60 Hz., operation and requires a minimum 15 amp individual branch circuit. Both pump and switch are supplied with 3-wire cord sets with grounding-type plugs. Switch plug is inserted directly into outlet and pump plug inserts into opposite end of switch plug.

⚠ WARNING Hazardous Voltage. Pump should always be electrically grounded to a suitable electrical ground such as a grounded water pipe or a properly grounded metallic raceway or ground wire system. Do not cut off round ground pin.

7. If pump discharge line is exposed to outside sub-freezing atmosphere, portions of line exposed must be installed so any water remaining in pipe will drain to the outfall by gravity. Failure to do this can cause water trapped in discharge to freeze which could result in damage to pump.
8. After piping and check valve have been installed, unit is ready for operation.
9. Check operation by filling sump with water and observing pump operation through one complete cycle.

⚠ WARNING Risk of flooding. Failure to make this operational check may lead to improper operation, premature failure, and flooding.

MAINTENANCE

⚠ WARNING Risk of electric shock. Make certain that the pump is unplugged before attempting to service or remove any component.

⚠ WARNING Risk of electric shock. Do not handle a pump or pump motor with wet hands or when standing on wet or damp surface, or in water.

1. Keep pump inlet screen clear.
2. Shaft seal depends on water for lubrication. Do not operate pump unless it is submerged in water as seal may be damaged if allowed to run dry.
3. Motor is equipped with automatic reset thermal protector. If temperature in motor should rise unduly, switch will cut off all power before damage can be done to motor. When motor has cooled sufficiently, switch will reset automatically and restart motor. If protector trips repeatedly, pump should be removed and checked for cause of difficulty. Low voltage, long extension cords, clogged impeller, very low head or lift, etc., could cause cycling. Refer to Trouble shooting Guide on Page 6 for additional information.
4. Periodically inspect pump, system components, and sump for debris and foreign objects. Keep sump free of all refuse. Perform routine maintenance as required.

Pump Cleaning

NOTE: Attempting to disassemble motor will void warranty.

1. Use the pump ring to lift pump out of basin and place pump on a clean level surface.

⚠ WARNING Risk of electrical shock. Shock can burn or kill. Do not lift pump by power cord.

2. To clean impeller, remove eight screws holding baseplate to motor assembly. Clean impeller as necessary.
3. Re-install baseplate and screws.
4. Use pump ring to replace pump in basin.

Switch Replacement

⚠ WARNING **Risk of electric shock.** When servicing pump, always disconnect power to electrical outlet and remove pump electric cord from outlet.

⚠ CAUTION **Float must be able to complete its entire cycle without interference from sidewall of basin, plumbing, or any other object.**

1. Mount bracket on switch housing using existing screws.
2. Slide rod into slot in bottom of switch housing. Fasten rod into switch housing with pin.

⚠ CAUTION **Make sure pin holds float rod in switch housing; otherwise pump will not shut off.**

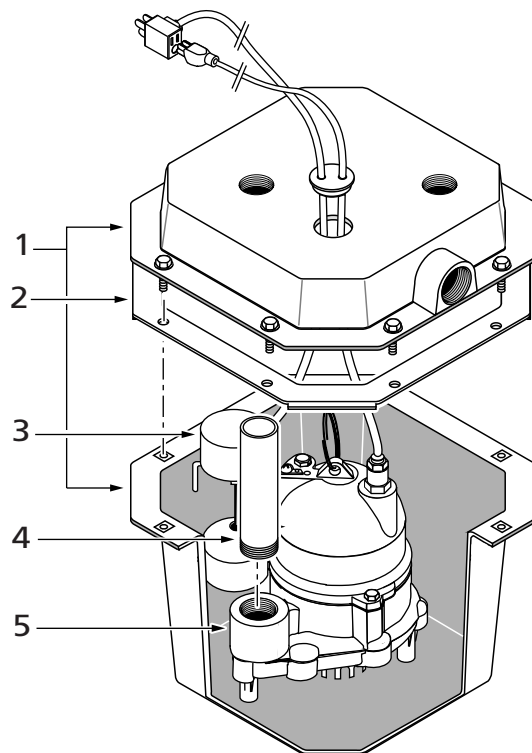
NOTE: Pull gently on rod to make sure that it cannot come out of switch housing.

3. Mount switch assembly on pump using existing screws. Make sure that nothing interferes with switch operation.
4. Mount float on rod.
5. Install rod stop on bottom of rod.
6. Run pump through one complete cycle to verify correct switch operation.

⚠ WARNING **Risk of flooding.** Drainer Pre-Plumbed System comes with the automatic float switch mounted on the motor housing ready for operation. Do not change switch settings. Switch is set to start at approximately 6.5" and to stop at approximately 2".

TROUBLESHOOTING

SYMPTOM	POSSIBLE CAUSE(S)	CORRECTIVE ACTION
Pump won't start or run.	<ol style="list-style-type: none"> 1. Blown fuse. 2. Low line voltage. 	<ol style="list-style-type: none"> 1. If blown, replace with fuse of proper size. 2. If voltage under recommended minimum, check size of wiring from main switch on property. If OK, contact power company or hydro authority.
Pump won't shut off.	<ol style="list-style-type: none"> 1. Restricted discharge (obstacle in piping). 	<ol style="list-style-type: none"> 1. Remove obstacle in piping.
Pump operates but delivers little or no water.	<ol style="list-style-type: none"> 1. Restricted discharge (obstacle in piping). 	<ol style="list-style-type: none"> 1. Remove obstacle in piping.



Repair Parts List

Key No.	Part Description	Qty.	ED33V1
1	5 gallon Poly basin assembly (includes Key No. 2 and hardware kit)	1	PW73-64
2	Basin Gasket	1	U20-23
3	Automatic Vertical Float Switch	1	PKG 208
4	1-1/2" Discharge Pipe	1	U37-688P
5	1/3 HP Submersible sump pump	1	D33110V
•	Hardware kit (includes bolts, washers, and cord grommet)	1	PW198-6

• Not illustrated.

Limited Warranty

Myers® warrants to the original consumer purchaser (“Purchaser” or “You”) of the products listed below, that they will be free from defects in material and workmanship for the Warranty Period shown below.

Product	Warranty Period
Jet pumps, small centrifugal pumps, submersible pumps and related accessories	whichever occurs first: 12 months from date of original installation, or 18 months from date of manufacture
Fibrewound Tanks	5 years from date of original installation
Steel Pressure Tanks	5 years from date of original installation
Sump/Sewage/Effluent Products	12 months from date of original installation, or 36 months from date of manufacture
Wastewater Solids Handling Pumps	12 months from date of shipment from factory or 18 months from date of manufacture

Our warranty applies only where such products are used in compliance with the requirements of the applicable product catalog and/or manuals. For additional information, please refer to the applicable standard limited warranty featured in the product manual.

Our warranty will not apply to any product that, in our sole judgement, has been subject to negligence, misapplication, improper installation, or improper maintenance. Without limiting the foregoing, operating a three phase motor with single phase power through a phase converter will void the warranty. Note also that three phase motors must be protected by three-leg, ambient compensated, extra-quick trip overload relays of the recommended size or the warranty is void.

Your only remedy, and MYERS's only duty, is that MYERS repair or replace defective products (at MYERS's choice). You must pay all labor and shipping charges associated with this warranty and must request warranty service through the installing dealer as soon as a problem is discovered. No request for service will be accepted if received after the Warranty Period has expired. This warranty is not transferable.

MYERS SHALL NOT BE LIABLE FOR ANY CONSEQUENTIAL, INCIDENTAL, OR CONTINGENT DAMAGES WHATSOEVER.

THE FOREGOING LIMITED WARRANTIES ARE EXCLUSIVE AND IN LIEU OF ALL OTHER EXPRESS AND IMPLIED WARRANTIES, INCLUDING BUT NOT LIMITED TO IMPLIED WARRANTIES OF MERCHANTABILITY AND FITNESS FOR A PARTICULAR PURPOSE. THE FOREGOING LIMITED WARRANTIES SHALL NOT EXTEND BEYOND THE DURATION PROVIDED HEREIN.

Some states do not allow the exclusion or limitation of incidental or consequential damages or limitations on the duration of an implied warranty, so the above limitations or exclusions may not apply to You. This warranty gives You specific legal rights and You may also have other rights which vary from state to state.

This Limited Warranty is effective February 7, 2014 and replaces all undated warranties and warranties dated after February 7, 2014.

F.E. MYERS

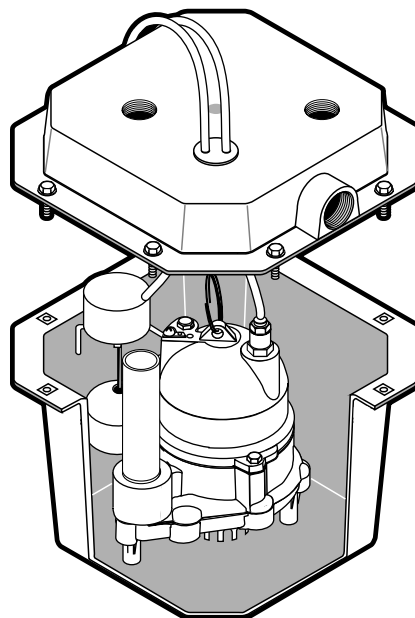
293 Wright Street, Delavan, WI 53115

Phone: 888-987-8677 • Fax: 800-426-9446 • www.femyers.com

In Canada: 269 Trillium Dr., Kitchener, Ontario N2G 4WS

Phone: 519-748-5470 • Fax: 519-748-2553

MYERS®



ED33V1

Installation/Fonctionnement/Pièces

Pour plus de renseignements concernant
l'utilisation, l'installation ou l'entretien,

Composer le 1 (888) 987-8677

DESCRIPTION

Le système complet d'évacuation des eaux usées Myers, modèle ED33V1, est idéal pour l'évacuation des eaux usées des éviers des salons de beauté, utilitaires et ceux des minibars, de même que pour évacuer les condensats des climatiseurs et des déshumidificateurs. La pompe submersible de 1/3 ch est équipée d'un cordon électrique muni d'une fiche à 3 broches dont une de mise à la terre. Le moteur est rempli d'huile (huile diélectrique) et il est étanche afin qu'il chauffe moins pendant son fonctionnement. Le roulement à billes inférieur et le palier supérieur de l'arbre du moteur ne nécessite aucun graissage. Réarmement automatique de la protection contre les surcharges thermiques.

SPÉCIFICATIONS

Courant d'alimentation 115 V, 60 Hz
 Gamme de la température du liquide De 0 ° à 54°C (32 ° à 130 °F)
 Circuit de dérivation individuel requis (minimum) 15 ampères
 Refoulement 1-1/2 po NPT

DÉBALLAGE ET INSPECTION

Manipuler avec prudence. Comparer toutes les pièces reçues par rapport au bordereau d'expédition pour s'assurer que tout l'équipement a été reçu. Si l'équipement a été endommagé pendant le transport, en aviser immédiatement le transporteur.

SÉCURITÉ GÉNÉRALE

Normalement, les électropompes de puisard offrent de nombreuses années de service sans ennui si elles sont bien installées, bien entretenues et bien utilisées. Toutefois, des circonstances inhabituelles (interruption du courant alimentant la pompe, saletés et débris pouvant se trouver dans le puisard, conditions d'inondation qui dépassent le débit de la pompe, pannes électriques ou mécaniques de la pompe, etc.) peuvent empêcher la pompe de fonctionner normalement. Pour empêcher tout dommage possible que pourrait causer l'eau suite à une inondation, consulter le marchand pour l'installation d'un système d'alarme de niveau haut d'eau. Se reporter au «Tableau de recherche des pannes» à la fin de cette notice pour plus de renseignements concernant les problèmes courants des pompes de puisard et leurs remèdes. Pour plus de renseignements, s'adresser au marchand ou appeler le service à la clientèle.

1. Il faut toujours savoir comment utiliser les pompes, et connaître leurs limitations et les dangers potentiels.
2. Avant d'intervenir sur le système, débrancher le courant.
3. Dissiper toute la pression du système avant d'intervenir sur un composant.
4. Avant d'intervenir sur le système, vider toute l'eau.

RENDEMENT

Modèle	ch	L/min d'eau à la hauteur totale de refoulement en metres				Arrêt
		1,5 m	3 m	4,5 m	6,1 m	
ED33V1	1/3*	181,7	151,4	109,8	56,8	7,3 m

SPÉCIFICATIONS

ch	Charge totale sur le motor (en ampères)	Réglage de l'interrupteur		Hauteur	Largeur supérieure	Largeur inférieure	Pds
		Marche	Arrêt				
1/3*	9,8	17,8 cm	5,1 cm	34,9 cm	38,4 cm	30,5 cm	14,5 kg

5. Immobiliser la conduite de refoulement avant de démarrer la pompe. Une conduite de refoulement non immobilisée agira comme un fouet, ce qui risque de causer des blessures corporelles et/ou des dommages matériels.
6. Avant chaque utilisation, s'assurer que les tuyaux souples ne sont pas usés ni affaiblis, et que tous les raccords sont bien serrés.
7. Périodiquement, inspecter tous les composants du système. Débarrasser le système des débris et des corps étrangers. Procéder, selon le besoin, à un entretien périodique.
8. Prévoir un moyen de dissiper la pression des pompes dont la conduite de refoulement risque d'être fermée ou obstruée.
9. Sécurité personnelle :
 - a. Toujours porter des lunettes de sécurité lorsque l'on intervient sur une pompe.
 - b. Garder la zone de travail propre, non encombrée et bien éclairée - enlever tous les outils et tout l'équipement non utilisés.
 - c. Garder les visiteurs à une distance sécuritaire de la zone de travail.
 - d. Rendre les ateliers sécuritaires pour les enfants en posant des cadenas, des interrupteurs principaux et en enlevant les clés de démarrage.
10. Pour câbler une électropompe, suivre les codes de sécurité et de l'électricité qui s'appliquent.
11. Cet équipement ne peut être branché que sur le courant monophasé de 115 volts. Il est équipé d'un cordon électrique approuvé à 3 conducteurs muni d'une fiche à 3 broches dont une de mise à la terre.

- ▲ AVERTISSEMENT** Pour réduire les risques de secousses électriques, débrancher, avant d'intervenir sur cet équipement, son cordon électrique de la prise de courant. Cette pompe n'a pas été mise à l'essai pour être utilisée autour des piscines. La pompe est livrée avec un cordon électrique à trois conducteurs comportant une fiche à trois broches dont une de mise à la terre. S'assurer de ne brancher cette fiche que dans une prise de courant à trois trous adéquatement mise à la terre. Si l'on ne possède qu'une prise de courant à 2 trous, elle devra être remplacée par une prise de courant à 3 trous adéquatement mise à la terre et installée conformément aux codes et aux décrets qui s'appliquent.
12. L'installation du câblage ne doit être effectuée que par un électricien qualifié.
 13. S'assurer que le courant électrique se conforme aux caractéristiques de l'équipement.
 14. Protéger le cordon électrique des objets tranchants, des surfaces chaudes, de l'huile et des produits chimiques. Éviter de tordre le cordon électrique. Remplacer ou réparer immédiatement tout cordon électrique endommagé ou usé.
 15. Ne pas toucher au moteur pendant qu'il fonctionne. Les moteurs modernes sont conçus pour fonctionner par des températures élevées.

* 1/3 HP performance

⚠ AVERTISSEMENT **Risque de secousses électriques.** Si le plancher du sous-sol est recouvert d'eau ou est humide, ne pas marcher sur la surface humide tant que le courant n'aura pas été coupé. Si la boîte de sectionnement du courant se trouve dans le sous-sol, appeler la compagnie électrique pour qu'elle coupe le service de la maison ou appeler le service des incendies local pour obtenir des instructions. Déposer et remplacer le système. Ne pas respecter les recommandations de cet avertissement risque de causer une électrocution mortelle.

⚠ AVERTISSEMENT **Risque de secousses électriques.** Ne pas manipuler la pompe ni le moteur de la pompe lorsqu'on a les mains humides ou lorsqu'on se tient sur une surface mouillée ou humide, ou dans l'eau. Toujours débrancher la pompe et couper le courant électrique alimentant la pompe avant de procéder à un entretien.

16. Ne pomper que de l'eau avec cette pompe.

Avertissement lié à la Proposition 65 de la Californie

⚠ AVERTISSEMENT Ce produit et les accessoires connexes contiennent des produits chimiques reconnus dans l'État de la Californie comme pouvant provoquer des cancers, des anomalies congénitales ou d'autres dangers relatifs à la reproduction.

MONTAGE

1° ET 2° Opérations (Voir la Figure 1)

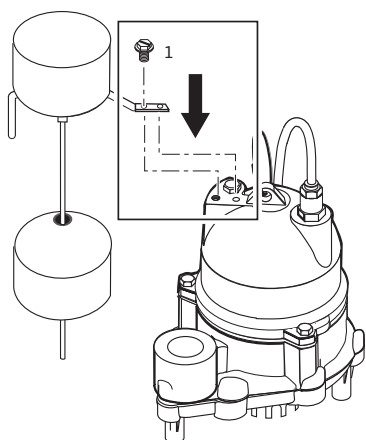


Figure 1

3° Opération (Voir la Figure 2)

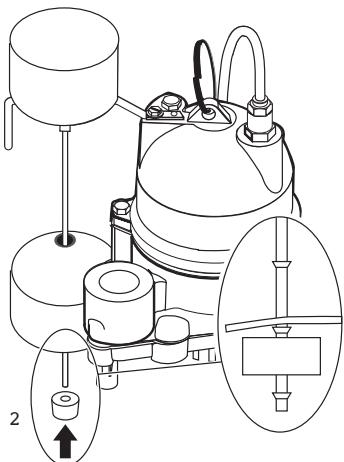


Figure 2

4° Opération (Voir la Figure 3)

Brancher le tuyau de refoulement en le serrant à la main, plus un demi-tour.

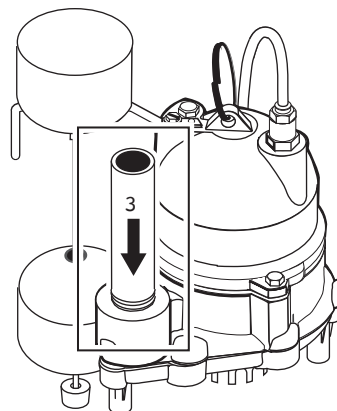


Figure 3

5° Opération (Voir la Figure 4)

Mettre la pompe dans le collecteur, comme il est illustré. Aligner le refoulement avec un des orifices filetés du couvercle.

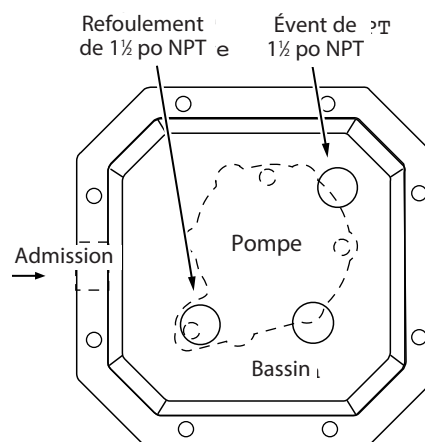


Figure 4

6° Opération (Voir la Figure 5)

Tourner le couvercle à l'envers, puis poser le panier de collecteur comme il est illustré.

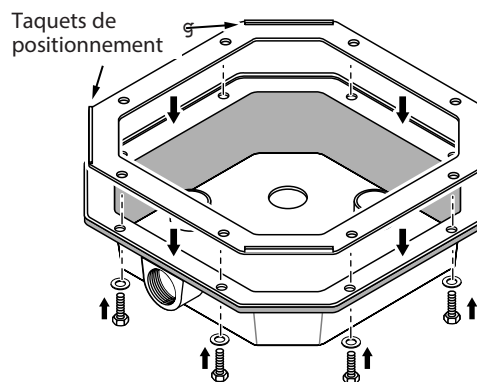


Figure 5

IMPORTANT : Pour empêcher les fuites, s'assurer que les taquets des angles de la panier de collecteur sont orientés vers le haut lorsque le couvercle est à l'envers (c'est-à-dire lorsque la lisière d'étanchéité n'est pas poussée dans la surface d'étanchéité du couvercle).

7° Opération (Voir la Figure 5)

Faire passer les vis et leur rondelle dans les trous du rebord du couvercle, puis dans la panier de collecteur (le couvercle retiendra les vis).

8° Opération (Voir la Figure 6)

- Aligner le couvercle avec le tuyau de refoulement et les cordons.
- Faire passer les cordons dans le trou non fileté du couvercle du collecteur.
- Mettre le couvercle par-dessus le tuyau de refoulement.
- Faire passer les cordons dans le passe-cordons.
- Poser l'ensemble cordons et passe-cordons dans le trou non fileté du couvercle du collecteur; ne pas tendre les cordons en tirant dessus.

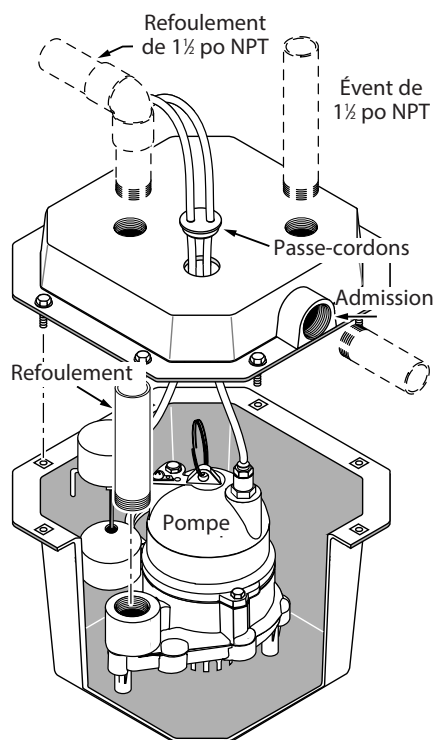


Figure 6

9° Opération (Voir la Figure 6)

Fixer le couvercle sur le collecteur à l'aide des vis précédemment introduites dans le couvercle (7° opération).

IMPORTANT : Pour empêcher les fuites, s'assurer que les taquets de positionnement des angles de la panier de collecteur sont à l'extérieur du rebord du collecteur et qu'ils n'appuient pas contre le rebord.

INSTALLATION (Voir la Figure 7)

Le bassin (du système) doit être positionné de façon qu'il soit le plus bas possible par rapport à la zone à vider.

REMARQUE : S'assurer que l'arrivée dans le système est plus basse que l'eau à pomper.

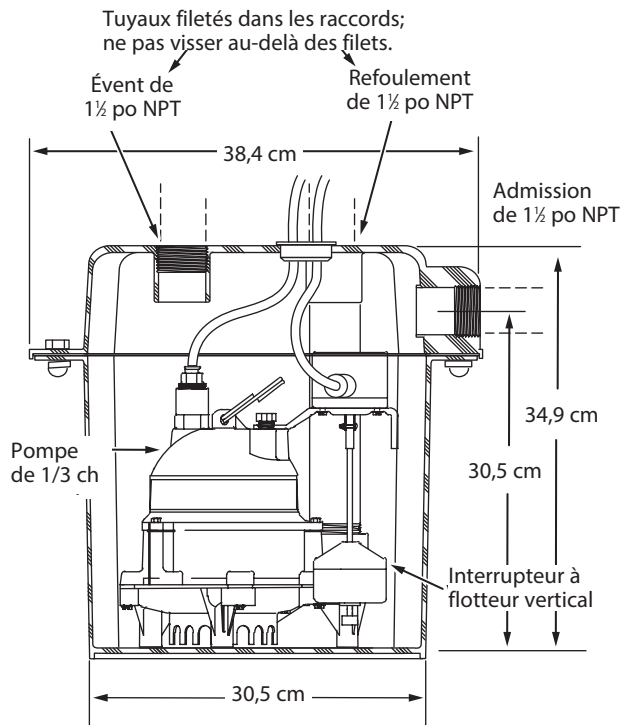


Figure 7 – Dimensions du système complet d'évacuation des eaux usées

1. Brancher le tuyau d'arrivée dans l'ouverture, comme il est illustré. Appliquer du composé résistant aux variations de température (RTV) ou du ruban d'étanchéité en PTFE pour filetage sur les filets pour les rendre étanches. Se reporter aux Figures 8, 9 et 10 des pages 4 et 5 pour les installations types du système.

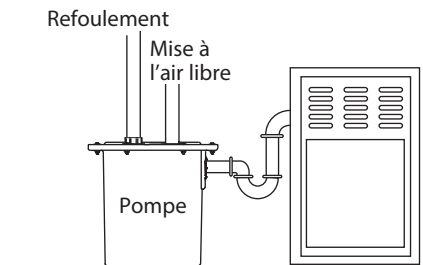


Figure 8 – Installation type pour évacuer les condensats des climatiseurs ou l'eau des déshumidificateurs

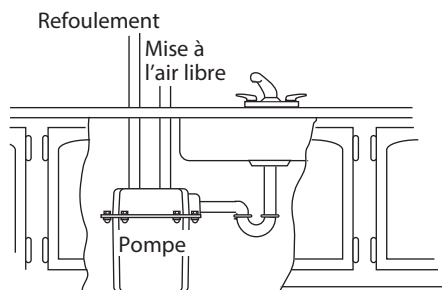


Figure 9 – Installation type pour un minibar

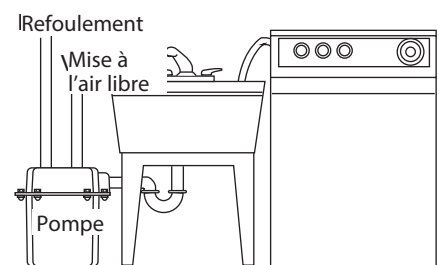


Figure 10 – Installation type pour les bacs à laver et les laveuses

- Brancher les tuyaux de refoulement. Si l'on utilise des tuyaux rigides, utiliser des tuyaux en plastique. Envelopper les filets du ruban d'étanchéité en PTFE pour filetage. À la main, visser le tuyau dans le raccord de refoulement et le serrer de +1 à 1-1/2 tour supplémentaire.

REMARQUE : Ne pas utiliser de composé ordinaire pour raccords filetés sur les tuyaux en plastique. Le composé ordinaire pour raccords filetés attaque les plastiques.

- Pour réduire les bruits et les vibrations du moteur, une petite longueur de tuyau souple en caoutchouc (durite de radiateur d'un diamètre intérieur de 1-7/8 pouce, par exemple) peut être posée sur la conduite de refoulement, près de la pompe; faire tenir cette durite avec des colliers.
- Poser un clapet antiretour en ligne pour empêcher au refoulement de revenir dans le bassin par la pompe lorsqu'elle s'arrête.
- Visser le tuyau de mise à l'air libre dans le raccord noir de 1-1/2 po NPT de mise à l'air libre du couvercle du bassin. Le tuyau doit dépasser du bassin. Brancher le tuyau de mise à l'air libre sur un système de mise à l'air libre d'égout.
- Courant d'alimentation : La pompe est conçue pour fonctionner sur le courant alternatif de 115 volts, 60 Hz, et elle doit être branchée sur un circuit de dérivation individuel de 15 ampères minimum. La pompe et l'interrupteur sont livrés avec des cordons électriques à 3 conducteurs et des fiches à trois broches dont une de mise à la terre. La fiche du cordon électrique de l'interrupteur se branche directement dans la prise de courant et la fiche du cordon électrique de la pompe se branche à l'arrière de la fiche de l'interrupteur.

⚠ AVERTISSEMENT Tension dangereuse. La pompe doit toujours être branchée sur une terre électrique adéquate, comme un tuyau d'eau mis à la terre ou un chemin de câbles métallique adéquatement mis à la terre ou un système de câblage électrique mis à la terre. Ne pas couper la broche ronde de la fiche.

- Si la conduite de refoulement de la pompe est exposée à des températures extérieures inférieures au point de congélation, la portion de la conduite exposée doit être installée de façon

que l'eau restant dans la conduite se vide d'elle-même par gravité. Si l'on ne respecte pas cette recommandation, l'eau restera emprisonnée dans la conduite de refoulement et elle gèlera, ce qui risque d'endommager la pompe.

- Après avoir branché les tuyauteries et le clapet antiretour, l'appareil est prête à être utilisé.
- S'assurer du fonctionnement en faisant le plein d'eau de la pompe et en observant le fonctionnement de la pompe pendant un cycle complet.

⚠ AVERTISSEMENT Risque d'inondation. Ne pas procéder à cette vérification de fonctionnement peut causer un mauvais fonctionnement, une panne prématurée et une inondation.

ENTRETIEN

⚠ AVERTISSEMENT Risque de secousses électriques. S'assurer que la pompe est débranchée avant d'intervenir sur un des composants ou de démonter un des composants.

⚠ AVERTISSEMENT Risque de secousses électriques. Ne pas manipuler la pompe ni le moteur de la pompe lorsqu'on a les mains humides ou lorsqu'on se tient sur une surface mouillée ou humide, ou dans l'eau.

- Garder la crépine d'aspiration de la pompe propre.
- Le joint de l'arbre dépend de l'eau pour sa lubrification. Ne pas faire fonctionner la pompe si elle n'est pas immergée dans l'eau, sinon le joint sera endommagé si la pompe tourne à sec.
- Le moteur est équipé d'un dispositif de protection thermique contre les surcharges à réenclenchement automatique. Si la température du moteur s'élève indûment, couper le courant avant que le moteur soit endommagé. Après que le moteur aura suffisamment refroidi, le disjoncteur se réenclenchera automatiquement et redémarrera le moteur. Si le disjoncteur se déclenche de façon répétitive, la pompe devra être démontée et vérifiée pour en rechercher les causes. Une basse tension, des cordons prolongateurs trop longs, un impulseur bouché, une hauteur de refoulement ou d'aspiration extrêmement basse, etc., risquent de causer le fonctionnement cyclique. Se reporter au Tableau de recherche des pannes de la page 6 pour de plus amples renseignements.
- Inspecter périodiquement la pompe, les composants du système et le puisard à la recherche de débris et de corps étrangers. Le puisard doit toujours être débarrassé de tous les débris. Procéder à un entretien périodique au besoin.

Nettoyage de la Pompe

REMARQUE : La garantie sera annulée si on essaie de démonter le moteur.

- Utiliser l'anneau de la pompe pour la sortir du bassin et la poser sur une surface plane et propre.

⚠ AVERTISSEMENT Risque de secousses électriques. Des secousses électriques risquent de causer des brûlures, voire la mort. Ne pas lever la pompe par son cordon électrique.

- Pour nettoyer l'impulseur, déposer les huit vis de fixation de la plaque du socle sur le moteur. Nettoyer l'impulseur selon le besoin.
- Reposer la plaque du socle et les vis.
- Utiliser l'anneau de la pompe pour la remettre dans le bassin.

Remplacement l'interrupteur

⚠ AVERTISSEMENT **Risque de secousses électriques.** Lorsque l'on intervient sur la pompe, toujours couper le courant alimentant la prise de courant, puis débrancher le cordon électrique de la pompe de la prise de courant.

⚠ ATTENTION **Le flotteur doit pouvoir fonctionner sur toute sa course sans être gêné par les parois du bassin, les tuyaux ou tout autre objet.**

1. Monter le support sur le boîtier de l'interrupteur à l'aide des vis existantes.
2. Glisser la tige dans la fente qui se trouve à la partie inférieure du boîtier de l'interrupteur. Fixer la tige dans le boîtier de l'interrupteur à l'aide de l'axe.

⚠ ATTENTION **S'assurer que l'axe retient bien la tige du flotteur dans le boîtier de l'interrupteur, sinon la pompe ne s'arrêtera pas.**

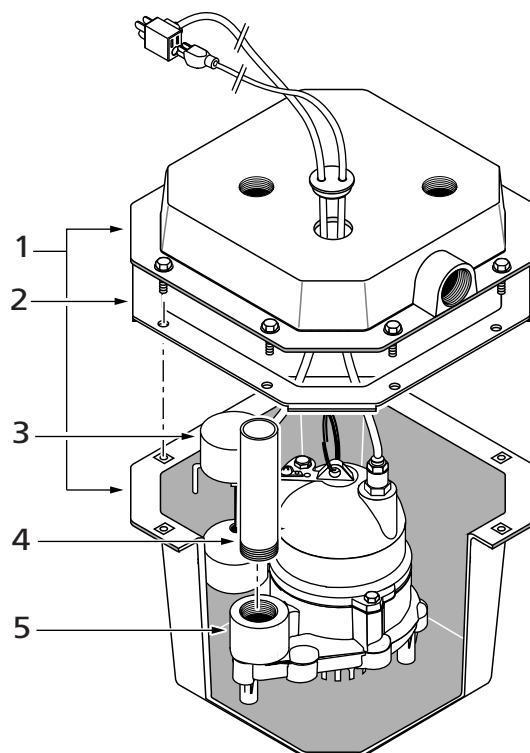
REMARQUE : Tirer prudemment sur la tige pour s'assurer qu'elle ne peut pas sortir du boîtier de l'interrupteur.

3. Monter l'interrupteur sur la pompe à l'aide des vis existantes. S'assurer que rien ne gêne le fonctionnement de l'interrupteur.
4. Monter le flotteur sur la tige.
5. Poser la butée à la partie inférieure de la tige.
6. Faire fonctionner la pompe sur un cycle complet pour s'assurer du bon fonctionnement de l'interrupteur.

⚠ AVERTISSEMENT **Risque d'inondation.** Le système complet d'évacuation des eaux usées est livré complet avec un interrupteur à flotteur automatique monté sur le carter du moteur prêt à fonctionner. Ne pas modifier les réglages de l'interrupteur. L'interrupteur est réglé pour démarrer à environ 16,5 cm (6,5 pouces) et pour s'arrêter à environ 5 cm (2 pouces).

RECHERCHE DES PANNES

SYMPTÔMES	CAUSES POSSIBLES	REMÈDES
La pompe ne démarre pas ou ne fonctionne pas.	<ol style="list-style-type: none"> 1. Fusible sauté. 2. Tension de ligne basse. 	<ol style="list-style-type: none"> 1. Si le fusible saute, le remplacer par un fusible de calibre adéquat. 2. Si la tension est inférieure au minimum recommandé, vérifier le diamètre du câblage du sectionneur principal de la propriété. Si le câblage est en bon état, contacter la compagnie d'électricité.
La pompe ne s'arrête pas.	<ol style="list-style-type: none"> 1. Refoulement bouché (obstruction dans la tuyauterie). 	<ol style="list-style-type: none"> 1. Enlever l'obstruction dans la tuyauterie.
La pompe fonctionne mais ne débite presque pas d'eau ou ne débite pas du tout.	<ol style="list-style-type: none"> 1. Refoulement bouché (obstruction dans la tuyauterie). 	<ol style="list-style-type: none"> 1. Enlever l'obstruction dans la tuyauterie.



Liste des pièces détachées

Réf.	Désignation	Qté	ED33V1
1	Bassin en polyester de 5 gallons (comprend la réf. 2 et la trousse de fixation)	1	PW73-64
2	Panier de collecteur	1	U20-23
3	Interrupteur à flotteur vertical à fonctionnement automatique	1	PKG 208
4	Tuyau de refoulement de 1-1/2 pouce	1	U37-688P
5	Pompe submersible de puisard de 1/3 de ch	1	D33110V
•	Trousse de fixation (comprend les boulons, les rondelles et le passe-cordons)	1	PW198-6

- Pièces non illustrées.

Garantie Limitée

Myers® garantit à l'acheteur-utilisateur initial (« l'acheteur » ou « vous ») des produits figurant ci-dessous qu'ils seront exempts de tout défaut de matériel et de fabrication pour la période de garantie indiquée ci-dessous.

Produit	Période de garantie du produit
Pompes à éjecteur, petites pompes centrifuges, pompes submersibles et accessoires connexes	selon la première éventualité : 12 mois à partir de la date de première installation ou 18 mois à partir de la date de fabrication
Réservoirs en fibre enroulée	5 ans à partir de la date de première installation
Réservoirs sous pression en acier	5 ans à partir de la date de première installation
Produits pour puisard/eaux usées/effluents	12 mois à partir de la date de première installation, 36 mois à partir de la date de fabrication
Pompes de traitement des matières solides des eaux usées	12 mois à partir de la date d'expédition de l'usine ou 18 mois à partir de la date de fabrication

Notre garantie s'applique uniquement quand ces produits sont utilisés conformément aux exigences du catalogue et/ou des manuels des produits concernés. Pour plus d'information, consultez la garantie limitée standard applicable dans le manuel du produit.

Notre garantie ne s'applique pas aux produits qui, à notre seul avis, ont fait l'objet de négligence, d'une mauvaise utilisation, d'une mauvaise installation ou d'un manque d'entretien adéquat. Sans aucune limitation des présentes, l'utilisation d'un moteur triphasé sur un courant monophasé par l'intermédiaire d'un déphaseur annulera la garantie. Il faut également noter que les moteurs triphasés doivent être protégés par un relais de surcharge tripolaire thermocompensé à déclenchement extrêmement rapide du calibre recommandé, sinon la garantie sera annulée.

Votre seul recours et la seule responsabilité de MYERS sont que MYERS répare ou remplace les produits défectueux (au choix de MYERS). Vous vous engagez à payer tous les frais de main-d'œuvre et d'expédition du produit couvert par cette garantie et de vous adresser au concessionnaire-installateur dès qu'un problème est découvert pour obtenir un service sous garantie. Aucune demande de service ne sera acceptée après l'expiration de la période de garantie. Cette garantie n'est pas transférable.

MYERS NE SERA TENUE RESPONSABLE D'AUCUN DOMMAGE INDIRECT, ACCIDENTEL OU FORTUIT, QUEL QU'IL SOIT.

LES GARANTIES LIMITÉES SUSMENTIONNÉES SONT EXCLUSIVES ET REMPLACENT TOUTES LES AUTRES GARANTIES EXPRESSES ET TACITES, Y COMPRIS, MAIS SANS S'Y LIMITER, LES GARANTIES TACITES DE QUALITÉ MARCHANDE ET D'ADAPTATION À UN USAGE PARTICULIER. LES GARANTIES LIMITÉES SUSMENTIONNÉES NE DOIVENT PAS ÊTRE PROLONGÉES AU-DELÀ DE LA DURÉE PRÉVUE AUX PRÉSENTES.

Certaines provinces n'autorisent pas d'exclure ou de limiter les dommages fortuits ou indirects ou de limiter la durée d'une garantie implicite; il se peut donc que les limitations ou exclusions ci-dessus ne s'appliquent pas à votre cas. La présente garantie vous donne des droits juridiques spécifiques et vous pouvez en avoir d'autres qui varient d'une province à l'autre.

Cette garantie limitée entre en vigueur le 7 février 2014 et remplace toutes les garanties non datées et les garanties datées après le 7 février 2014.

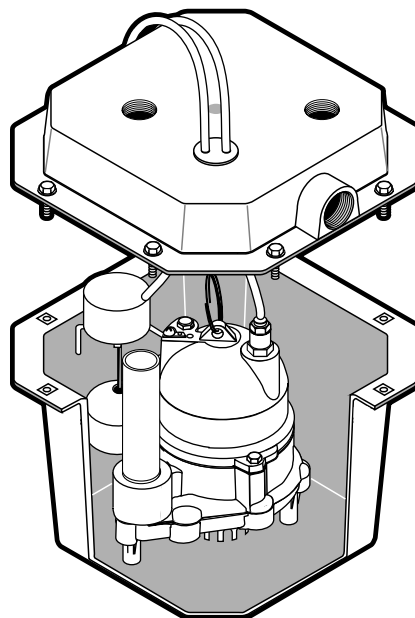
F.E. MYERS

293 Wright Street, Delavan, WI 53115

Téléphone : 888-987-8677 Télécopieur : 800-426-9446 • www.femyers.com

Au Canada : 269 Trillium Dr., Kitchener, Ontario N2G 4WS

Téléphone : 519-748-5470 Télécopieur : 519-748-2553

MYERS®**ED33V1**

Instalación/Operación/Piezas

Para mayor información sobre el funcionamiento,
instalación o mantenimiento de la bomba:

Llame al 1-888-987-8677

DESCRIPCIÓN

El Sistema de Desagüe de Myers con Plomería, Modelo Número ED33V1, es ideal para la remoción de aguas residuales domésticas en piletas de esteticistas, de uso general o en minibares y para la transferencia de agua drenada de acondicionadores de aire o deshumidificadores. La unidad de bomba sumergible de 1/3 CV viene equipada con un cordón de corriente de tipo puesta a tierra con 3 puntas. El motor está relleno de aceite (aceite dieléctrico) y cerrado herméticamente para un funcionamiento más frío. El manguito superior/cojinete de bolas inferior en el eje del motor nunca necesita lubricación. Con protección térmica de reposición automática.

ESPECIFICACIONES

Suministro de energía requerido.....115V, 60 Hz.
 Gama de temperatura del líquido 0° a 54° C (32° a 130° F)
 Requiere un ramal individual (mínimo).....15 amperios
 Descarga..... 1-1/2" NPT

DESEMPAQUE Y INSPECCIÓN

Manéjelo con cuidado. Inspeccione las piezas recibidas con la lista de embalaje para asegurarse de que haya recibido todo el equipo. Verifique que no hayan averías de envío. Si encuentra alguna, envíe un reclamo a la empresa de transportes inmediatamente.

INFORMACIÓN GENERAL SOBRE LA SEGURIDAD

Las bombas de sumidero de acción eléctrica, generalmente brindan muchos años de servicio sin problemas cuando se instalan, mantienen y usan en forma correcta. Sin embargo, circunstancias inusuales (interrupción de la corriente hacia la bomba, suciedad/escombros en el sumidero, desborde que supera la capacidad de la bomba, fallas eléctricas o mecánicas en la bomba, etc.) pueden evitar que la bomba funcione normalmente. Para evitar posibles daños causados por agua como resultado de inundaciones, consulte a su representante sobre la instalación de una alarma de alto nivel de agua. Consulte la "Tabla de Localización de fallas" en este manual para obtener información sobre los problemas comunes de las bombas de sumidero y la resolución de los problemas asociados. Para mayor información, consulte a su representante o llame al departamento de servicio al cliente.

1. Es importante conocer la aplicación de la bomba, sus limitaciones y posibles peligros.
2. Desconecte el suministro de energía antes de realizar trabajos de reparación.
3. Libere toda la presión dentro del sistema antes de reparar alguno de sus componentes.

4. Drene todo el agua del sistema antes de realizar trabajos de reparación.
5. Asegure la línea de descarga antes de poner en marcha la bomba. Una línea de descarga no asegurada debidamente podrá dar un golpe y causando posiblemente lesiones personales y/o daños a la propiedad.
6. Verifique que las mangueras no estén en un estado débil o gastadas antes de cada uso, asegurándose de que todas las conexiones estén bien firmes.
7. Periódicamente inspeccione los componentes del sistema. Manténgalos libres de escombros y objetos foráneos. Realice el mantenimiento de rutina según se requiera.
8. Proporcione medios de liberación de presión para las bombas cuya línea de descarga pueda cerrarse o ser obstruida.
9. Seguridad personal:
 - a. Use gafas de seguridad en todo momento cuando trabaje con bombas.
 - b. Mantenga la zona de trabajo limpia, ordenada y con iluminación adecuada - coloque toda herramienta o equipo que no utilice de vuelta en su lugar.
 - c. Mantenga a los visitantes a una distancia segura de la zona de trabajo.
 - d. Haga de su taller una zona a prueba de niños, con candados, interruptores maestros y retirando las llaves de encendido.
10. Cuando realice el cableado de una bomba de acción eléctrica, observe todos los códigos eléctricos y de seguridad que correspondan.
11. Este equipo se debe usar solamente con 115 voltios (monofásico) y viene equipado con un cordón de 3 conductores y un enchufe 3 puntas tipo puesta a tierra.

⚠ ADVERTENCIA Para reducir el riesgo de choques eléctricos, **desenchufe la bomba antes de realizar trabajos de reparaciones.**

Esta bomba no ha sido investigada para ser usada en zonas de piscinas de natación. La bomba viene con un conductor de puesta a tierra y un enchufe tipo puesta a tierra. Asegúrese de que esté conectado solamente a un receptáculo de tipo puesta a tierra y debidamente conectado a tierra. Cuando se encuentre un tomacorriente de pared con dos puntas, éste se deberá cambiar por un receptáculo de 3 puntas debidamente puesto a tierra e instalado confirme a los códigos y reglamentos que correspondan.

12. Todo el cableado debe ser realizado por un electricista competente.
13. Asegúrese de que la fuente de corriente cumpla con los requisitos de su equipo.
14. Proteja el cordón eléctrico contra objetos filosos, superficies calientes, aceite y sustancias químicas. Evite torcer el cordón. Cambie o repare todo cordón que esté gastado o dañado inmediatamente.

RENDIMIENTO

Modelo	CV	L/min. de agua a altura total en metros				Cierre
		1,5 m	3 m	4,5 m	6,1 m	
ED33V1	1/3*	181,7	151,4	109,8	56,8	7,3 m

ESPECIFICACIONES

CV	Carga total del motor amperios	Graduación del interruptor		Altura	Ancho superior	Ancho inferior	Peso
		Encendido	Apagado				
1/3*	9,8	17,8 cm	5,1 cm	34,9 cm	38,4 cm	30,5 cm	14,5 kg

* 1/3 HP performance

15. No toque un motor en funcionamiento. Los motores modernos han sido diseñados para operar a altas temperaturas.

⚠ ADVERTENCIA **Riesgo de choques eléctricos.** Si su sótano tiene agua o humedad en el piso, no camine sobre zonas húmedas hasta que haya desconectado la corriente. Si la caja de desconexión está en el sótano, llame a la empresa de electricidad o al servicio eléctrico para que cierren el suministro de energía a su casa, o llame a su departamento de bomberos local para obtener instrucciones al respecto. Saque y reemplace el sistema. Si no se observa esta advertencia, existe el riesgo de choques eléctricos fatales.

⚠ ADVERTENCIA **Riesgo de choques eléctricos.** No maneje la bomba ni el motor de la bomba con manos húmedas o mientras esté parado sobre una superficie húmeda o mojada, o en el agua. Siempre desconecte la bomba y el interruptor de la fuente de suministro de corriente eléctrica antes de realizar algún trabajo de mantenimiento.

16. Solamente bombee agua con esta bomba.

Advertencia de la Proposición 65 de California

⚠ ADVERTENCIA Este producto y accesorios relacionados contienen sustancias químicas reconocidas en el Estado de California como causantes de cáncer, malformaciones congénitas y otros daños al sistema reproductivo.

ENSAMBLAJE

Pasos 1 y 2 (Ver la Figure 1)

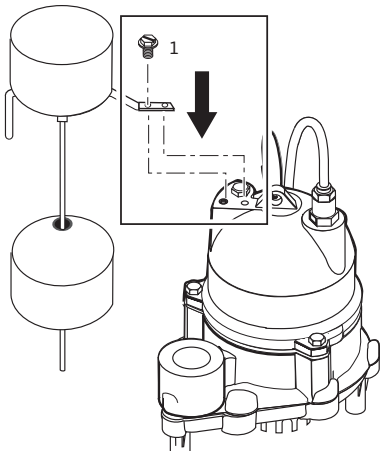


Figura 1

Paso 3 (Ver la Figure 2)

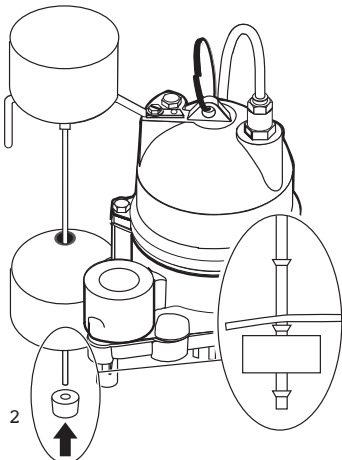


Figura 2

Paso 4 (Ver la Figure 3)

Instale la tubería de descarga apretándola con la mano más media vuelta.

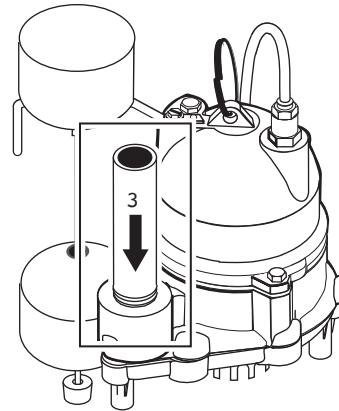


Figure 3

Paso 5 (Ver la Figure 4)

Coloque la bomba en la pileta según se ilustra. La descarga debe quedar alineada con una de las aberturas fileteadas en la cubierta.

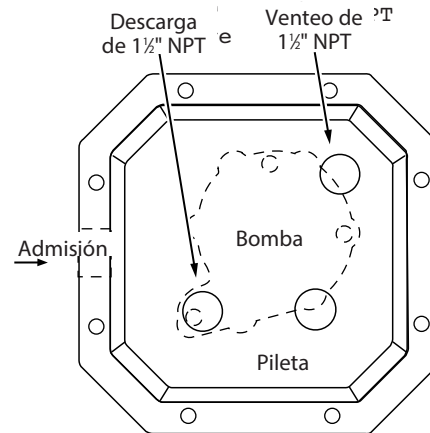


Figura 4

Paso 6 (Ver la Figure 5)

Invierta la cubierta y coloque la empaquetadura de la pileta según se ilustra.

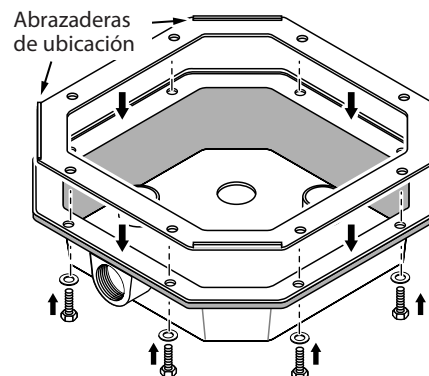


Figura 5

IMPORTANTE: Parta prevenir fugas, verifique que las abrazaderas en las esquinas de la empaquetadura de la pileta estén hacia arriba con la cubierta boca abajo (es decir que no estén oprimidas contra la superficie de sello de la cubierta).

Paso 7 (Ver la Figura 5)

Empuje los tornillos con sus arandelas instaladas hacia arriba por los orificios del reborde de la cubierta y dentro de la empaquetadura de la pileta (la cubierta retendrá los tornillos).

Paso 8 (Ver la Figura 6)

- La cubierta debe quedar alineada con la tubería de descarga y los cordones.
- Pase los cordones por el orificio no fileteado en la cubierta de la pileta.
- Coloque la cubierta sobre la tubería de descarga.
- Instale los cordones en el aro de refuerzo del cordón.
- Instale la unidad de cordón/arro de refuerzo en el orificio no fileteado en la cubierta de la pileta, no apriete los cordones.

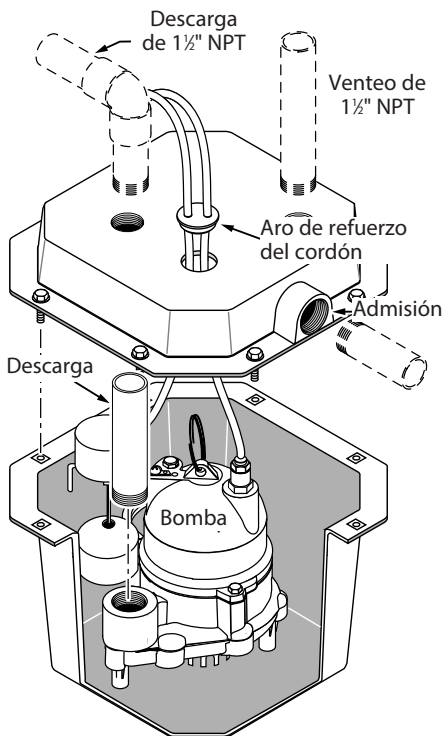


Figura 6

Paso 9 (Ver la Figura 6)

Sujete la cubierta de la pileta a la pileta con los tornillos prisioneros que se introdujeron previamente en la cubierta (Paso 7).

IMPORTANTE: Parta prevenir fugas, verifique que las abrazaderas en las esquinas de la empaquetadura de la pileta estén fuera de los bordes del reborde de la pileta, no oprimidas contra el reborde.

INSTALACIÓN (Ver Figure 7)

La pileta (el sistema) debe estar ubicado en el lugar más bajo posible con respecto a la zona que se debe drenar.

NOTA: Verifique que la entrada del sistema con plomería esté por debajo del nivel del agua que se esté bombeando.

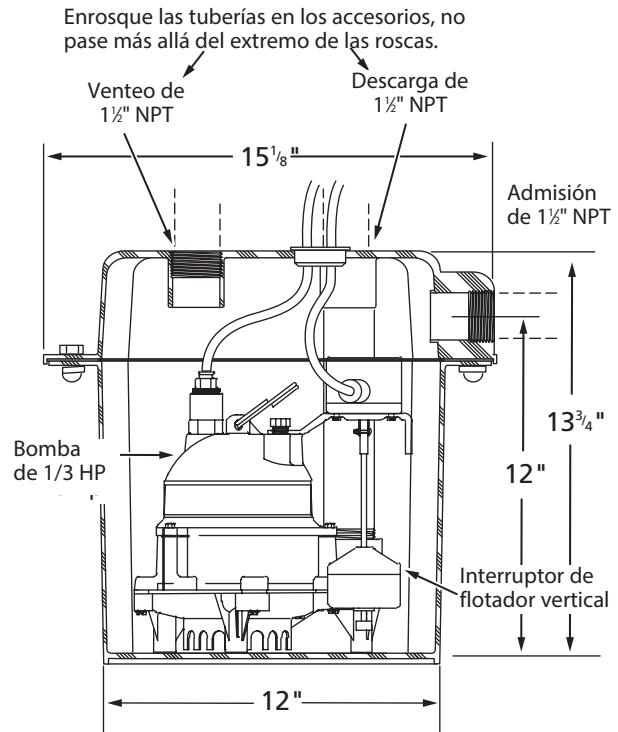


Figura 7 – Dimensiones del Sistema de Desagüe con Plomería

1. Instale el tubo de entrada en la abertura según se ilustra. Use sellos de silicona resistentes a las variaciones de temperatura o cinta selladora de PTFE para roscas de tubería para sellar las roscas. Por información sobre instalaciones típicas, consulte las Figuras 8, 9, y 10, páginas 4 y 5.

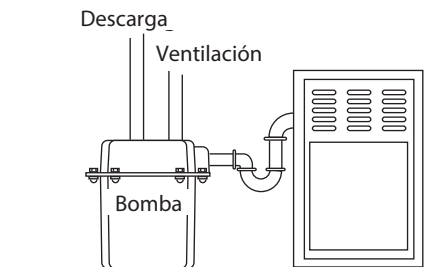


Figura 8 - Instalación típica para eliminar la condensación de acondicionadores de aire o el agua del deshumidificador

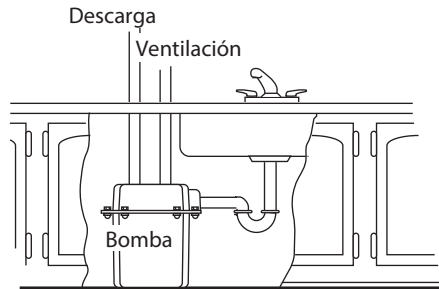


Figura 9 - Instalación típica en frigobares

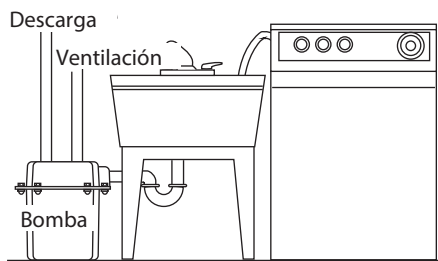


Figura 10 - Instalación típica en lavaderos y lavarropas

2. Instale la plomería de descarga. Cuando use un tubo rígido, use un tubo de plástico. Envuelva la rosca con cinta selladora de PTFE para roscas de tubería. Atornille el tubo en el accesorio de descarga apretándolo con la mano +1 – 1-1/2 vueltas.

NOTA: No use un compuesto común para juntas de tuberías en tubos de plástico. El compuesto para juntas de tuberías puede atacar el plástico.

3. Para reducir el ruido y las vibraciones del motor, se puede conectar un trozo corto de manguera de caucho (1-7/8" de diámetro interno, por ej. manguera de radiador) en la línea de descarga cerca de la bomba usando abrazaderas adecuadas.
4. Instale una válvula de retención en línea para evitar reflujos a través de la bomba cuando la bomba se cierre.
5. Enrosque el tubo de ventilación en el accesorio de ventilación negro de 1-1/2" NPT en la cubierta de la pileta. El tubo no se debe extender hacia adentro de la pileta. Conecte el tubo de ventilación al sistema de ventilación del sumidero.
6. Suministro de energía: La bomba ha sido diseñada para una operación a 115 V, 60 Hz y requiere un ramal individual de un mínimo de 15 amperios. Tanto la bomba como el interruptor viene con juegos de cordones de 3 hilos, con enchufes tipo puesta a tierra. El enchufe de conmutación se coloca directamente en el tomacorriente y el enchufe de la bomba se coloca en el extremo opuesto del enchufe de conmutación.

⚠ ADVERTENCIA Tensión peligrosa. La conexión eléctrica de la bomba siempre debe estar puesta a tierra en forma adecuada como, por ejemplo, una conexión a una tubería de agua puesta a tierra, una canalización metálica puesta a tierra, o un sistema de cableado puesto a tierra. No corte la clavija redonda de conexión a tierra.

7. Si la línea de descarga de la bomba está expuesta a la intemperie con temperaturas por debajo del punto de congelamiento, las porciones de la línea que queden expuestas deberán ser instaladas de modo de que el agua que permanezca en las tuberías se desagüe a la salida por gravedad. Si no se observa este procedimiento, el agua puede quedar atrapada en la descarga y congelarse, lo que resultaría en daños a la bomba.
8. Después de que se haya instalado la tubería y la válvula de retención, la unidad estará lista para funcionar.
9. Inspeccione su funcionamiento llenando el sumidero con agua y observando el funcionamiento de la bomba a través de un ciclo completo.

⚠ ADVERTENCIA Riesgo de inundación. Si no se realiza este chequeo operacional, existe el riesgo de un funcionamiento inadecuado, fallas prematuras e inundación.

MANTENIMIENTO

⚠ ADVERTENCIA Riesgo de choque eléctrico. Asegúrese de que la bomba esté desenchufada antes de tratar de realizar trabajos de reparaciones o de retirar algún componente.

⚠ ADVERTENCIA Riesgo de choque eléctrico. No manipule una bomba ni el motor de una bomba con manos húmedas o cuando esté parado sobre superficie mojada o húmeda, o en el agua.

1. Mantenga despejada la red de entrada de la bomba.
2. El sello del eje depende del agua para su lubricación. No haga marchar la bomba a menos de que esté sumergida en agua ya que de otro modo el sello se puede dañar si se deja que la bomba marche en seco.
3. El motor viene equipado con un protector térmico de reposición automática. Si la temperatura en el motor sube indebidamente, el interruptor desactivará toda la corriente antes de que el motor se pueda perjudicar. Cuando el motor se haya enfriado lo suficiente, el interruptor se reposicionará automáticamente y volverá a arrancar al motor. Si el protector se dispara repetidamente, será necesario sacar la bomba y verificar cuál es la razón de esa dificultad. Una tensión baja, cables largos de prolongación, un impulsor tapado, una elevación o altura demasiado baja, etc. puede causar estos ciclos. Consulte la guía de localización de fallas en la página 6 para obtener información adicional.
4. Periódicamente, inspeccione la bomba, los componentes del sistema y el sumidero para verificar que no hayan escombros ni objetos foráneos. Mantenga el sumidero libre de todo desecho. Realice el mantenimiento de rutina que se requiera.

Limpeza del al Bomba

NOTA: Si se trata de desarmar el motor, la garantía quedará anulada.

1. Use el anillo de la bomba para levantar y sacar la bomba de la pileta, y colóquela sobre una superficie nivelada y limpia.
- ⚠ ADVERTENCIA Riesgo de choque eléctrico.** Los choques pueden quemar o matar. No levante la bomba por medio del cordón eléctrico.
2. Para limpiar el impulsor, saque los ocho tornillos que sostienen la plancha de base a la unidad del motor. Limpie el impulsor según se requiera.
3. Vuelva a instalar la plancha de base y los tornillos.
4. Use el anillo de la bomba para volver a colocarla en la pileta.

Cambio del Interruptor

⚠ ADVERTENCIA **Riesgo de choque eléctrico.** Cuando realice trabajos de reparación en la bomba, siempre desconecte la corriente del tomacorriente y saque el cordón eléctrico de la bomba del tomacorriente.

⚠ PRECAUCIÓN **El flotador debe poder completar todo su ciclo sin interferencia de la pared lateral de la pileta, de los componentes de plomería ni de ningún otro objeto.**

1. Coloque el soporte en la caja del interruptor usando los tornillos existentes.
2. Deslice la vara en la ranura del fondo de la caja del interruptor. Sujete la vara en la caja del interruptor con un pasador.

⚠ PRECAUCIÓN **Asegúrese de que el pasador sostenga la vara del flotador en la caja del interruptor; de lo contrario, la bomba no se apagará.**

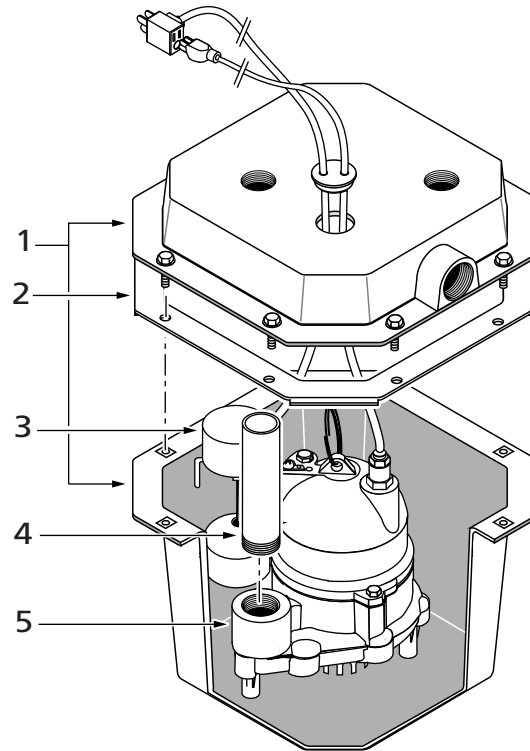
NOTA: Tire suavemente de la vara para asegurarse de que no se salga de la caja del interruptor.

3. Coloque la unidad del interruptor en la bomba usando los tornillos existentes. Asegúrese de que nada interfiera con la operación del interruptor.
4. Coloque el flotador en la vara.
5. Instale el tope de la vara en el fondo de la misma.
6. Haga marchar la bomba un ciclo completo para verificar que el interruptor esté funcionando correctamente.

⚠ ADVERTENCIA **Riesgo de inundación.** El Sistema de Desagüe con Plomería viene con un interruptor de flotador automático montado sobre la caja del motor y listo para su operación. No cambie las graduaciones del interruptor. El interruptor está graduado para arrancar aproximadamente a 16,5 cm (6,5") y detenerse a aproximadamente 5 cm (2").

RESOLUCIÓN DE PROBLEMAS

SÍNTOMA	POSIBLE(S) CAUSA(S)	ACCIÓN CORRECTIVA
La bomba no arranca ni marcha.	<ol style="list-style-type: none"> 1. Fusible quemado. 2. Baja tensión de línea. 	<ol style="list-style-type: none"> 1. Si está quemado, cámbielo por un fusible del tamaño correspondiente. 2. Si la tensión es más baja del mínimo recomendado, verifique el tamaño de los cables desde el interruptor principal de la propiedad. Si es correcto, comuníquese con la empresa de suministro de energía o el servicio de corriente eléctrica.
La bomba no se apaga.	<ol style="list-style-type: none"> 1. Descarga obstruida (obstáculo en la tubería). 	<ol style="list-style-type: none"> 1. Saque el obstáculo en la tubería.
La bomba opera pero entrega poca o nada de agua.	<ol style="list-style-type: none"> 1. Descarga obstruida (obstáculo en la tubería). 	<ol style="list-style-type: none"> 1. Saque el obstáculo en la tubería.



Partes de Reparación

Ref. No.	Descripción	Cantidad	ED33V1
1	Unidad de pileta de polietileno de 5 galones (incluye Ref. No. 2 y juego de accesorios de ferretería)	1	PW73-64
2	Empaquetadura de la pileta	1	U20-23
3	Interruptor automático de flotador vertical	1	PKG 208
4	Tubo de descarga de 1-1/2"	1	U37-688P
5	Bomba sumergible de sumidero de 1/3 CV	1	D33110V
•	Juego de accesorios de ferretería (incluye pernos, arandelas y aro de refuerzo para el cordón)	1	PW198-6

- No se ilustra.

Garantía Limitada

Myers le garantiza al consumidor inicial (“Comprador” o “Usted”) de los productos indicados a continuación, que éstos estarán libres de defectos en materiales y en mano de obra durante el Período de Garantía especificado a continuación.

Producto	Período de garantía
Bombas de chorro, pequeñas bombas centrífugas, bombas sumergibles y accesorios asociados	lo que ocurra primero: 12 meses desde la fecha de la instalación inicial, o 18 meses desde la fecha de fabricación
Tanques de devanado de fibra	5 años desde la fecha de la instalación inicial
Tanques a presión de acero	5 años desde la fecha de la instalación inicial
Productos para sumideros/aguas residuales/efluente	12 meses desde la fecha de la instalación inicial, o 36 meses desde la fecha de fabricación
Bombas procesadoras de sólidos de aguas residuales	12 meses desde la fecha de envío de la fábrica, o 18 meses desde la fecha de fabricación

Nuestra garantía se aplica solamente en los casos en que tales productos se utilicen conforme a los requerimientos del catálogo del producto y/o de los manuales correspondientes. Por información adicional, se deberá consultar la garantía limitada estándar correspondiente que aparece en el manual del producto.

Nuestra garantía no se aplicará a ningún producto que, a nuestro solo juicio, haya sido sometido a negligencia, mal uso, instalación o mantenimiento inadecuados. Sin perjuicio a lo que antecede, nuestra garantía quedará anulada en el caso en que un motor trifásico se haya usado con una fuente de alimentación monofásica, a través de un convertidor de fase. Es importante indicar que la garantía quedará anulada si los motores trifásicos no están protegidos por relés de sobrecarga de disparo extra-rápido, con compensación ambiental de tres etapas, del tamaño recomendado.

Su único recurso, y la única obligación de MYERS es la de reparar o reemplazar los productos defectuosos (a juicio de MYERS). Usted deberá pagar todos los cargos de mano de obra y de envío asociados a esta garantía y deberá solicitar el servicio bajo garantía a través del concesionario instalador tan pronto como se descubra un problema. No se aceptará ninguna solicitud de servicio bajo garantía que se reciba después del vencimiento del Período de Garantía. Esta garantía no es transferible.

MYERS NO SE HARÁ RESPONSABLE DE NINGÚN DAÑO CONSECUENTE, INCIDENTAL O CONTINGENTE.

LAS GARANTÍAS LIMITADAS QUE ANTECEDEN SON EXCLUSIVAS Y EN LUGAR DE TODA OTRA GARANTÍA EXPLÍCITA O IMPLÍCITA, INCLUYENDO, PERO SIN LIMITARSE, A LAS GARANTÍAS IMPLÍCITAS DE COMERCIABILIDAD E IDONEIDAD PARA UN FIN ESPECÍFICO, LAS GARANTÍAS LIMITADAS QUE ANTECEDEN NO SE EXTENDERÁN MÁS ALLÁ DEL PERÍODO DE GARANTÍA INDICADO EN LA PRESENTE.

Ciertos estados no permiten la exclusión o limitación de daños incidentales o consecuentes o la aplicación de limitaciones en la duración de garantías implícitas, de modo que es posible que las limitaciones o exclusiones que preceden no correspondan en su caso. Esta garantía le otorga derechos legales específicos, y es posible que Usted tenga otros derechos que pueden variar de un estado al otro.

Esta Garantía Limitada entra en vigor a partir del 7 de febrero de 2014 y reemplaza toda otra garantía sin fecha o con fecha anterior al 7 de febrero de 2014.

F.E. MYERS

293 Wright St., Delavan, WI 53115

Teléfono: 888-987-8677 – Fax: 800-426-9446 – www.fenmyers.com

En Canadá: 269 Trillium Dr., Kitchener, Ontario N2G 4WS

Teléfono: 519-748-5470 – Fax: 519-748-2553