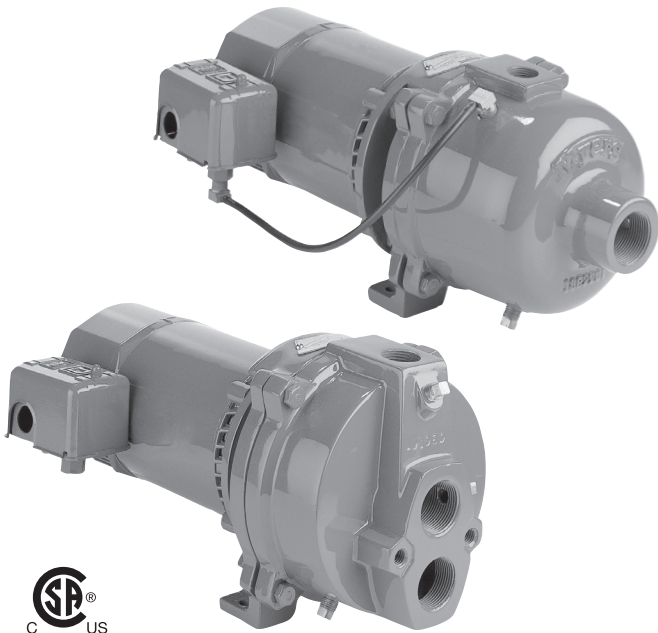


SHALLOW WELL AND CONVERTIBLE PUMP

HJ SERIES



The Myers HJ Series is one of the most popular pump series in the market. The HJ Series is known for its superior performance and dependability in home, farm, business and industrial applications around the world.

APPLICATIONS

Supply water systems and sprinkling systems for homes, farms, businesses, and industry.

FEATURES

- ◆ **Quality Construction:** Durable machined heavy-duty construction pump body provides long product life.
- ◆ **Impellers:** Precision molded impellers and diffuser provide smooth, balanced performance and efficiency.
- ◆ **Pressure Switch:** High quality proven pressure switch with adjustable on/off pressure settings. 20 PSI differential.
- ◆ **Motor:** Heavy-duty motor with double ball bearing design and voltage selection device.
- ◆ **Shaft Seal:** Mechanical shaft seal with ceramic face and stainless steel construction for long seal life.

SPECIFICATIONS

- ◆ Heavy duty cast iron case and motor bracket.
- ◆ Dual compartment, 115/230 volt double-ball bearing motor with voltage selector switch.
- ◆ Dual adjustment pressure switch. Includes priming tee on shallow well models and pressure regulator on deep well models.
- ◆ Priming screen.
- ◆ Stainless steel impeller wear ring.

MYERS HJ SERIES SHALLOW WELL AND CONVERTIBLE

ORDERING INFORMATION

SHALLOW WELL

CATALOG NUMBER	HP	DISCHARGE PRESSURE IN LBS.	CAPACITY IN U.S. GALLONS PER MINUTE SUCTION LIFT IN FEET			SHUT-OFF PSI
			5	15	20	
HJ50S*	1/2	20	14.5	11.5	6	65
		30	14.5	11.5	6	
		40	10	8	5	
		50	5.5	3.5	2	
HJ75S*	3/4	20	23.5	17.5	10.5	69
		30	23.5	17.5	10.5	
		40	19.5	16.5	10.5	
		50	12.5	9	5	
HJ100S*	1	20	27.5	21	13	67
		30	27.5	21	13	
		40	25.5	21	13	
		50	19	15.5	12	

*For brass impeller add "-1" to Catalog Number, i.e.: HJ50D-1

DEEP WELL

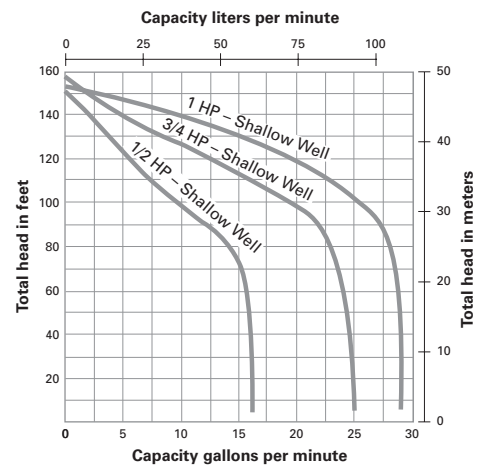
CATALOG NUMBER	HP	PRESSURE SWITCH SETTING	AVERAGE REGULATOR SETTING	JET PACKAGE CAT. NUMBER			CAPACITY IN U.S. GALLONS PER MINUTE DISTANCE TO LOW WATER LEVEL IN FEET									
				CAST IRON	BRONZE	PACKER FOR 2" WELL	30	40	50	60	70	80	90	100	110	120
HJ50D*	1/2	20/40	22	DW50-I	DW50	P50	10.5	9.5	8	6	5	4	2.5			
		30/50	22	DW50-I	DW50	P50	9	8	7	5.5	4.5	3.5				
HJ75D*	3/4	20/40	26	DW75-I	DW75	P75	16.5	13.5	10	8	7	6	4	3	1	
		30/50	26	DW75-I	DW75	P75	15.5	12	10.5	7.5	6	5	3	2		
HJ100D*	1	20/40	34	DW100-I	DW100	P100	18	15.5	12.5	10	9	8	5.5	4.5	2.5	1
		30/50	34	DW100-I	DW100	P100	18	15	12	10	9	7.5	5	4	2	1

*For brass impeller add "-1" to Catalog Number, i.e.: HJ50D-1

PUMP PERFORMANCE

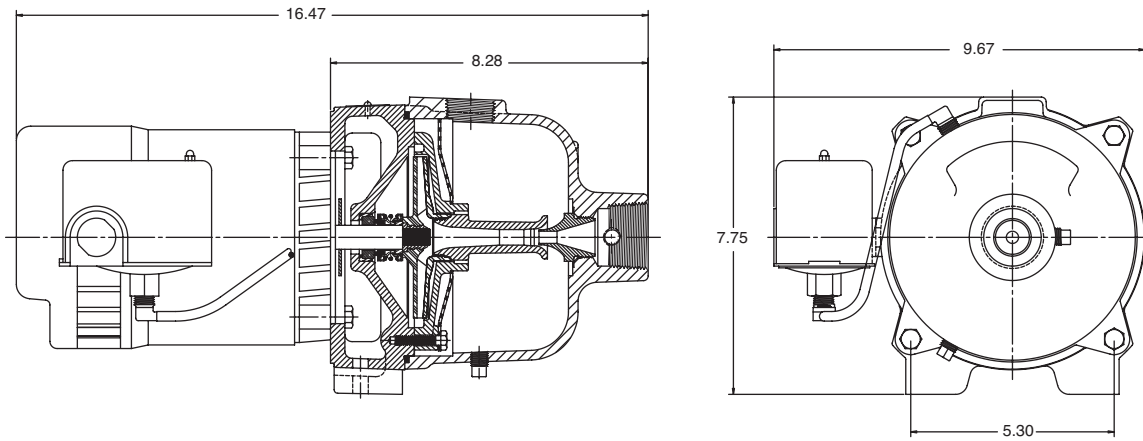
REPAIR PARTS KIT FOR HJ SERIES

MODEL	KIT	INCLUDES
HJ50D	PK50	Shaft seal, impeller, diffuser, gasket, O-ring, venturi, and nozzle
HJ75D	PK75	
HJ100D	PK100	

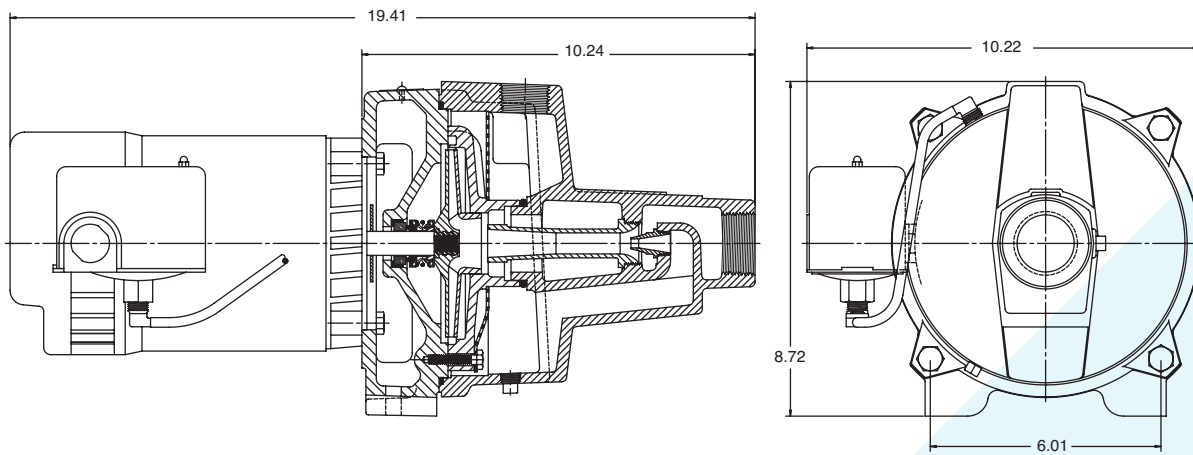


OUTLINE DIMENSIONS

HJ50 Shallow Well



HJ75 and HJ100 Shallow Well

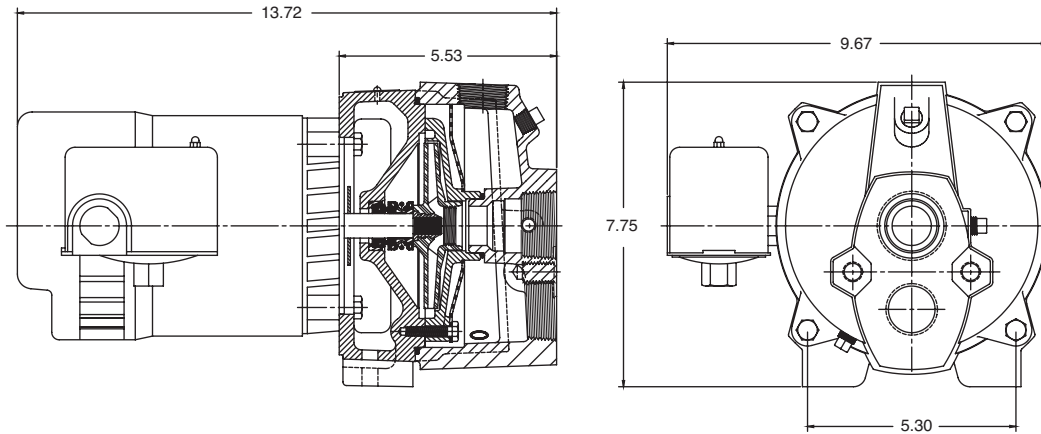


Dimensions (in inches) are for estimating purposes only.

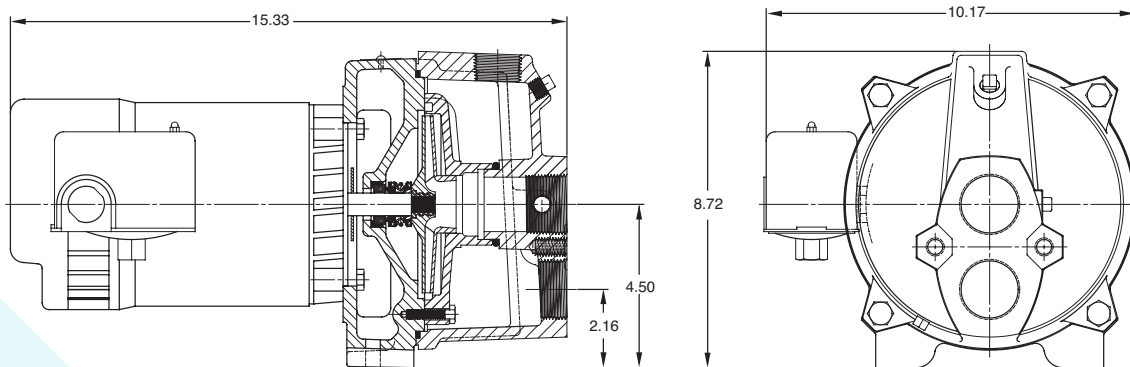
MYERS HJ SERIES SHALLOW WELL AND CONVERTIBLE

OUTLINE DIMENSIONS

HJ50 Deep Well



HJ75 and HJ100 Deep Well



Dimensions (in inches) are for estimating purposes only.



293 Wright Street
Delavan, WI 53115
Ph: 866.973.6835
Fx: 800.426.9446

490 Pinebush Rd., Unit 4
Cambridge, Ontario
Canada N1T 0A5
Ph: 800.363.7867
Fx: 888.606.5484

pentair.com

All indicated Pentair trademarks and logos are property of Pentair. Third party registered and unregistered trademarks and logos are the property of their respective owners. Because we are continuously improving our products and services, Pentair reserves the right to change specifications without prior notice. Pentair is an equal opportunity employer.

©2022 Pentair. All Rights Reserved.

M9130WS (12-15-22)