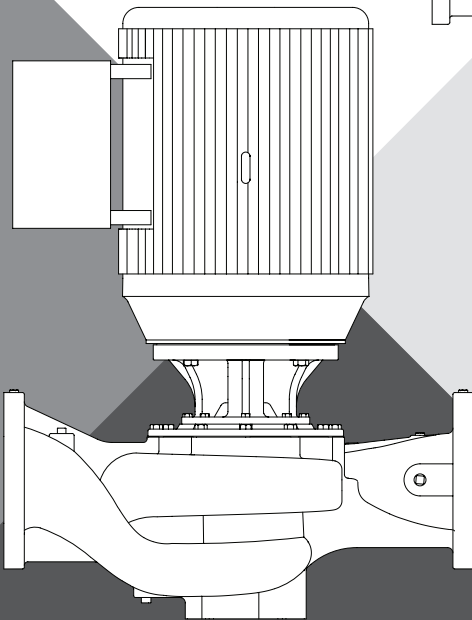


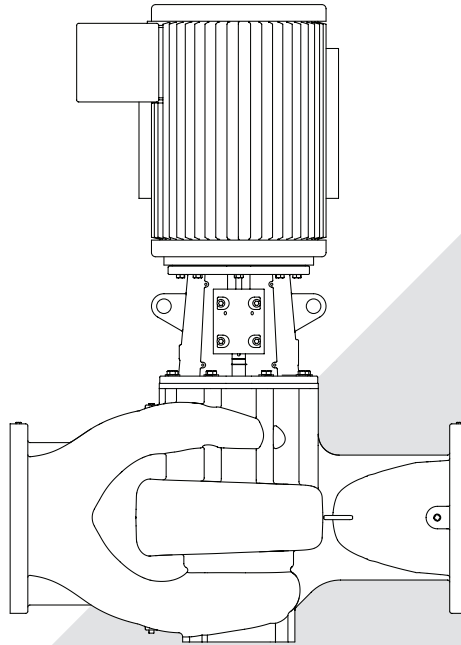


# PENTAIR FAIRBANKS NIJHUIS

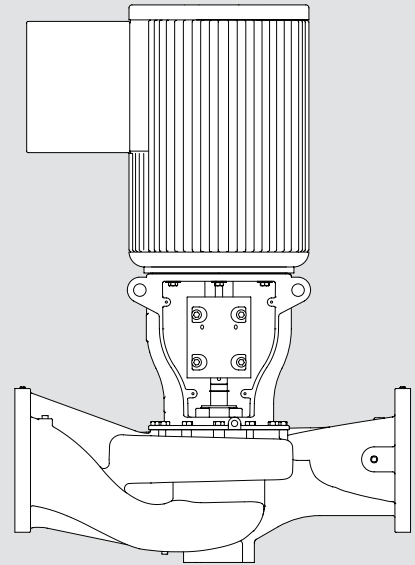
## VERTICAL IN-LINE CLOSE COUPLED AND SPLIT COUPLED PUMPS 1590 SERIES



CLOSE COUPLED PUMPS



SPLIT COUPLED PUMPS



## DIMENSION TABLES ADDENDUM

[pentair.com](http://pentair.com)

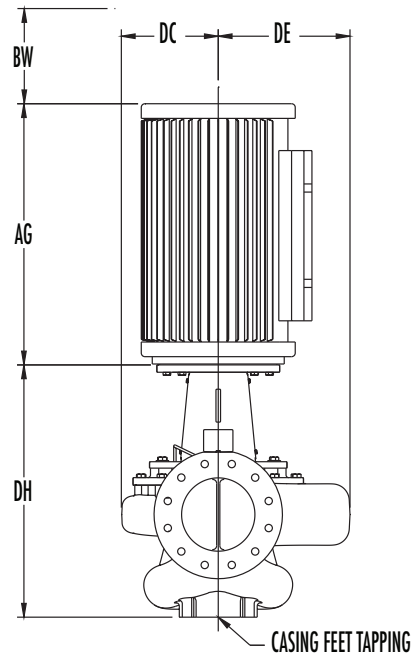
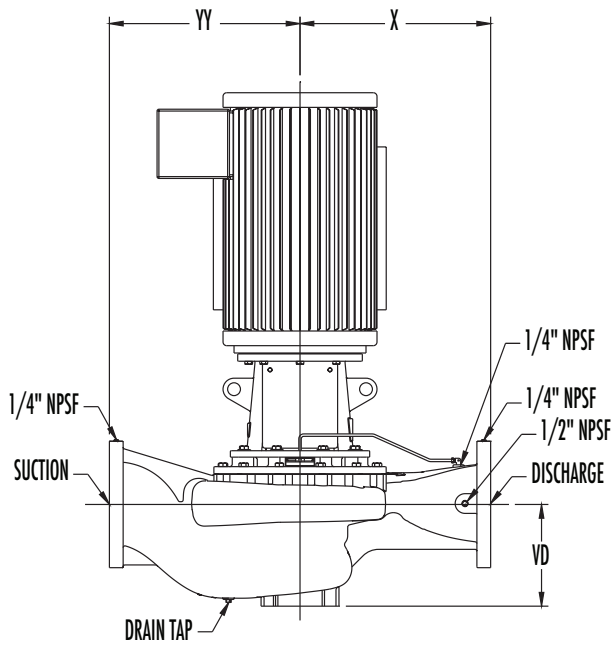
# TABLE OF CONTENTS

---

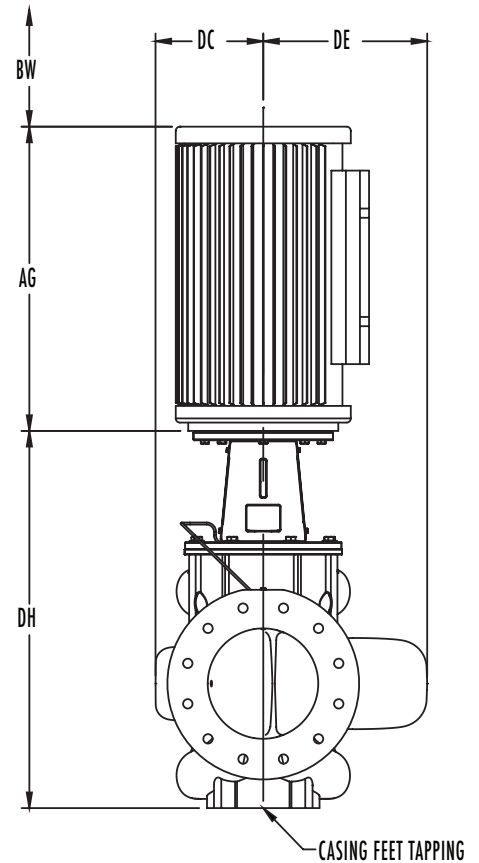
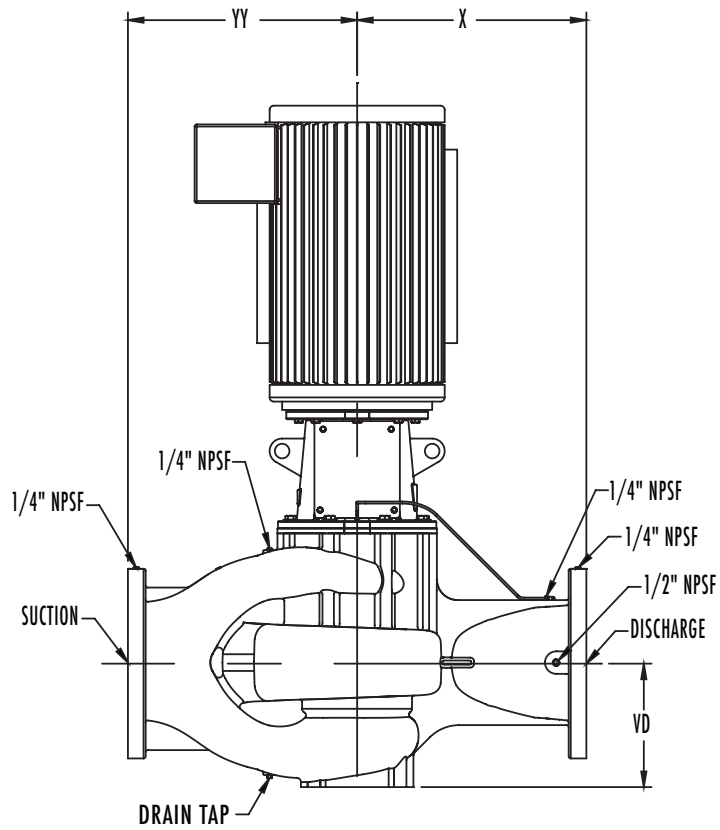
<b>SECTION.....</b>	<b>PAGE</b>
<b>Pentair Fairbanks Nijhuis® Model 1590 Split Coupled Pumps .....</b>	<b>3-13</b>
7" Pumps .....	4-5
9.5" Pumps .....	6-7
11" Pumps .....	8-9
13.5" Pumps .....	10-11
10" 1592 through 14" 1593 Pumps .....	12-13
<b>Pentair Fairbanks Nijhuis Model 1590 Split Coupled Pumps with Optional Spool Base.....</b>	<b>14-24</b>
7" Pumps .....	15-16
9.5" Pumps .....	17-18
11" Pumps .....	19-20
13.5" Pumps .....	21-22
10" 1592 through 14" 1593 Pumps .....	23-24
<b>Pentair Fairbanks Nijhuis Model 1590 Close Coupled Pumps .....</b>	<b>25-33</b>
7" Pumps .....	26-27
9.5" Pumps .....	28-29
11" Pumps .....	30-31
13.5" Pumps .....	32-33
<b>Pentair Fairbanks Nijhuis Model 1590 Close Coupled Pumps with Optional Spool Base .....</b>	<b>34-42</b>
7" Pumps .....	35-36
9.5" Pumps .....	37-38
11" Pumps .....	39-40
13.5" Pumps .....	41-42

# PENTAIR FAIRBANKS NIJHUIS® MODEL 1590 SPLIT COUPLED PUMPS

## SINGLE SUCTION PUMPS



## DOUBLE SUCTION PUMPS



# PENTAIR FAIRBANKS NIJHUIS® MODEL 1590 SPLIT COUPLED PUMPS

## TC MOTOR FRAMES

FRAMES		143 TC	145 TC	184 TC	186 TC	213 TC
AG	ODP	12.00 (304)	12.00 (304)	14.00 (356)	14.00 (356)	17.00 (432)
	TEFC	13.00 (330)	13.00 (330)	13.00 (330)	13.00 (330)	21.00 (533)
FRAMES		215 TC	254TC	256 TC	284 TC	286 TC
AG	ODP	18.00 (457)	22.00 (559)	22.00 (559)	23.00 (584)	23.00 (584)
	TEFC	21.00 (533)	25.00 (635)	25.00 (635)	27.00 (686)	27.00 (686)
FRAMES		324 TC	326 TC	364 TC	365 TC	404 TC
AG	ODP	23.00 (584)	23.00 (584)	25.00 (635)	25.00 (635)	28.00 (711)
	TEFC	28.00 (711)	29.00 (737)	35.00 (889)	35.00 (889)	36.00 (914)
FRAMES		405 TC	444 TC	445 TC	447 TC	449 TC
AG	ODP	28.00 (711)	33.00 (838)	35.00 (889)	38.00 (965)	40.00 (1016)
	TEFC	36.00 (914)	38.00 (965)	38.00 (965)	41.00 (1041)	49.00 (1245)

## 7" PUMPS

Pump Size	Frame	X	DC <sup>7</sup>	DE <sup>7</sup>	DH	YY	VD	BW		Pump Weight Excluding Motor	Casing Feet Tapping <sup>8</sup>	Drain Tap (NPSF)
								Minimum	Recommended			
1-1/2" 1591	140 TC	7.50 (191)	4.56 (116)	4.90 (124)	18.45 (469)	7.50 (191)	4.81 (122)	2.50 (64)	3.75 (95)	125 (57)	1.5" Flange	1/2"
1-1/2" 1591	180 TC	7.50 (191)	5.00 (127)	5.00 (127)	18.45 (469)	7.50 (191)	4.81 (122)	3.00 (76)	3.75 (95)	125 (57)	1.5" Flange	1/2"
1-1/2" 1591	210 TC	7.50 (191)	5.50 (140)	5.50 (140)	18.45 (469)	7.50 (191)	4.81 (122)	3.50 (89)	3.75 (95)	125 (57)	1.5" Flange	1/2"
2" 1592A	140 TC	8.50 (216)	4.56 (116)	5.12 (130)	19.50 (495)	8.50 (216)	5.31 (135)	2.50 (64)	4.38 (111)	135 (61)	2" Flange	1/2"
2" 1592A	180 TC	8.50 (216)	5.00 (127)	5.12 (130)	19.50 (495)	8.50 (216)	5.31 (135)	3.00 (76)	4.38 (111)	135 (61)	2" Flange	1/2"
2" 1592A	210 TC	8.50 (216)	5.50 (140)	5.50 (140)	19.50 (495)	8.50 (216)	5.31 (135)	3.50 (89)	4.38 (111)	135 (61)	2" Flange	1/2"
2" 1592A	250 TC	8.50 (216)	6.94 (176)	6.94 (176)	22.51 (572)	8.50 (216)	5.31 (135)	4.50 (114)	4.50 (114)	175 (79)	2" Flange	1/2"
2-1/2" 1591A	140 TC	9.00 (229)	4.67 (119)	5.39 (137)	20.17 (512)	9.00 (229)	5.88 (149)	2.50 (64)	5.00 (127)	150 (68)	2" Flange	1/2"
2-1/2" 1591A	180 TC	9.00 (229)	5.00 (127)	5.12 (130)	20.17 (512)	9.00 (229)	5.88 (149)	3.00 (76)	5.00 (127)	150 (68)	2" Flange	1/2"
2-1/2" 1591A	210 TC	9.00 (229)	5.50 (140)	5.50 (140)	20.17 (512)	9.00 (229)	5.88 (149)	3.50 (89)	5.00 (127)	150 (68)	2" Flange	1/2"
2-1/2" 1591A	250 TC	9.00 (229)	6.94 (176)	6.94 (176)	23.18 (589)	9.00 (229)	5.88 (149)	4.50 (114)	5.00 (127)	190 (86)	2" Flange	1/2"
3" 1594	140 TC	9.50 (241)	4.99 (127)	5.77 (147)	21.20 (538)	9.50 (241)	6.98 (177)	2.50 (64)	4.75 (121)	165 (75)	2.5" Flange	1/2"
3" 1594	180 TC	9.50 (241)	4.99 (127)	5.77 (147)	21.20 (538)	9.50 (241)	6.98 (177)	3.00 (76)	4.75 (121)	165 (75)	2.5" Flange	1/2"
3" 1594	210 TC	9.50 (241)	5.50 (140)	5.77 (147)	21.20 (538)	9.50 (241)	6.98 (177)	3.50 (89)	4.75 (121)	165 (75)	2.5" Flange	1/2"
3" 1594	250 TC	9.50 (241)	6.66 (169)	6.66 (169)	24.21 (615)	9.50 (241)	6.98 (177)	4.50 (114)	4.75 (121)	205 (93)	2.5" Flange	1/2"

### NOTES:

- All dimensions are in inches (mm) and may vary ± 1/4(6).
- Not for construction purposes unless certified.
- N/A = Not applicable.
- Conduit box is shown in approximate location. Dimensions are not specified as they vary with each motor manufacturer.
- Suction and discharge flanges - 125# ANSI Standard flat face.
- Optionally available - Suction and discharge flanges - 250# ANSI Standard flat face.
- Dimensions DC & DE are unit's extreme dimensions and not limited to pump casing, and may vary with each motor manufacturer.
- Casing feet tapping - (4) Tapped holes matching 125# ANSI standard flanges.
- BW Minimum - Minimum height needed to remove motor, and then disassemble pump.
- BW Recommended - Height needed to remove motor, motor bracket and impeller as one assembly.

# PENTAIR FAIRBANKS NIJHUIS® MODEL 1590 SPLIT COUPLED PUMPS

## 7" PUMPS

Pump Size	Frame	X	DC <sup>7</sup>	DE <sup>7</sup>	DH	YY	VD	BW		Pump Weight Excluding Motor	Casing Feet Tapping <sup>8</sup>	Drain Tap (NPSF)
								Minimum	Recommended			
3" 1594	280 TC	9.50 (241)	7.84 (199)	7.84 (199)	24.21 (615)	9.50 (241)	6.98 (177)	5.00 (127)	5.00 (127)	205 (93)	2.5" Flange	1/2"
4" 1595A	140 TC	10.50 (267)	5.06 (129)	6.16 (156)	21.64 (550)	10.50 (267)	7.56 (192)	2.50 (64)	4.69 (119)	195 (88)	3" Flange	1/2"
4" 1595A	180 TC	10.50 (267)	5.06 (129)	6.16 (156)	21.64 (550)	10.50 (267)	7.56 (192)	3.00 (76)	4.69 (119)	195 (88)	3" Flange	1/2"
4" 1595A	210 TC	10.50 (267)	5.50 (140)	6.16 (156)	21.64 (550)	10.50 (267)	7.56 (192)	3.50 (89)	4.69 (119)	195 (88)	3" Flange	1/2"
4" 1595A	250 TC	10.50 (267)	6.94 (176)	6.94 (176)	24.65 (626)	10.50 (267)	7.56 (192)	4.50 (114)	4.69 (119)	235 (107)	3" Flange	1/2"
4" 1595A	280 TC	10.50 (267)	7.84 (199)	7.84 (199)	24.65 (626)	10.50 (267)	7.56 (192)	4.75 (121)	4.75 (121)	235 (107)	3" Flange	1/2"
4" 1595A	320 TC	10.50 (267)	8.59 (218)	8.59 (218)	24.65 (626)	10.50 (267)	7.56 (192)	5.50 (140)	5.50 (140)	235 (107)	3" Flange	1/2"
5" 1591A	140 TC	12.00 (305)	5.83 (148)	8.31 (211)	21.81 (554)	13.50 (343)	7.50 (191)	2.50 (64)	4.88 (124)	240 (109)	4" Flange	1/2"
5" 1591A	180 TC	12.00 (305)	5.83 (148)	8.31 (211)	21.81 (554)	13.50 (343)	7.50 (191)	3.00 (76)	4.88 (124)	240 (109)	4" Flange	1/2"
5" 1591A	210 TC	12.00 (305)	5.83 (148)	8.31 (211)	21.81 (554)	13.50 (343)	7.50 (191)	3.50 (89)	4.88 (124)	240 (109)	4" Flange	1/2"
5" 1591A	250 TC	12.00 (305)	6.66 (169)	8.31 (211)	24.82 (630)	13.50 (343)	7.50 (191)	4.50 (114)	4.88 (124)	280 (127)	4" Flange	1/2"
5" 1591A	280 TC	12.00 (305)	7.84 (199)	8.31 (211)	24.82 (630)	13.50 (343)	7.50 (191)	5.00 (127)	5.00 (127)	280 (127)	4" Flange	1/2"
5" 1591A	320 TC	12.00 (305)	8.59 (218)	8.59 (218)	24.82 (630)	13.50 (343)	7.50 (191)	5.50 (140)	5.50 (140)	280 (127)	4" Flange	1/2"
5" 1591A	360 TC	12.00 (305)	10.12 (257)	10.12 (257)	27.14 (689)	13.50 (343)	7.50 (191)	6.50 (165)	6.50 (165)	290 (132)	4" Flange	1/2"
6" 1591A	140 TC	14.00 (356)	6.70 (170)	9.91 (252)	24.37 (619)	14.00 (356)	9.81 (249)	2.50 (64)	5.88 (149)	320 (135)	3" Flange	1/2"
6" 1591A	180 TC	14.00 (356)	6.70 (170)	9.91 (252)	24.37 (619)	14.00 (356)	9.81 (249)	3.00 (76)	5.88 (149)	320 (135)	3" Flange	1/2"
6" 1591A	210 TC	14.00 (356)	6.70 (170)	9.91 (252)	24.37 (619)	14.00 (356)	9.81 (249)	3.50 (89)	5.88 (149)	320 (135)	3" Flange	1/2"
6" 1591A	250 TC	14.00 (356)	6.70 (170)	9.91 (252)	27.38 (695)	14.00 (356)	9.81 (249)	4.50 (114)	5.88 (149)	360 (163)	3" Flange	1/2"
6" 1591A	280 TC	14.00 (356)	7.84 (199)	9.91 (252)	27.38 (695)	14.00 (356)	9.81 (249)	5.00 (127)	5.88 (149)	360 (163)	3" Flange	1/2"
6" 1591A	320 TC	14.00 (356)	8.59 (218)	9.91 (252)	27.38 (695)	14.00 (356)	9.81 (249)	5.50 (140)	5.88 (149)	360 (163)	3" Flange	1/2"
6" 1591A	360 TC	14.00 (356)	10.12 (257)	10.12 (257)	29.70 (754)	14.00 (356)	9.81 (249)	6.50 (165)	6.50 (165)	370 (168)	3" Flange	1/2"

### NOTES:

- All dimensions are in inches (mm) and may vary ± 1/4(6).
- Not for construction purposes unless certified.
- N/A = Not applicable.
- Conduit box is shown in approximate location. Dimensions are not specified as they vary with each motor manufacturer.
- Suction and discharge flanges - 125# ANSI Standard flat face.
- Optionally available - Suction and discharge flanges - 250# ANSI Standard flat face.
- Dimensions DC & DE are unit's extreme dimensions and not limited to pump casing, and may vary with each motor manufacturer.
- Casing feet tapping - (4) Tapped holes matching 125# ANSI standard flanges.
- BW Minimum - Minimum height needed to remove motor, and then disassemble pump.
- BW Recommended - Height needed to remove motor, motor bracket and impeller as one assembly.

# PENTAIR FAIRBANKS NIJHUIS® MODEL 1590 SPLIT COUPLED PUMPS

## TC MOTOR FRAMES

FRAMES		143 TC	145 TC	184 TC	186 TC	213 TC
AG	ODP	12.00 (304)	12.00 (304)	14.00 (356)	14.00 (356)	17.00 (432)
	TEFC	13.00 (330)	13.00 (330)	13.00 (330)	13.00 (330)	21.00 (533)
FRAMES		215 TC	254 TC	256 TC	284 TC	286 TC
AG	ODP	18.00 (457)	22.00 (559)	22.00 (559)	23.00 (584)	23.00 (584)
	TEFC	21.00 (533)	25.00 (635)	25.00 (635)	27.00 (686)	27.00 (686)
FRAMES		324 TC	326 TC	364 TC	365 TC	404 TC
AG	ODP	23.00 (584)	23.00 (584)	25.00 (635)	25.00 (635)	28.00 (711)
	TEFC	28.00 (711)	29.00 (737)	35.00 (889)	35.00 (889)	36.00 (914)
FRAMES		405 TC	444 TC	445 TC	447 TC	449 TC
AG	ODP	28.00 (711)	33.00 (838)	35.00 (889)	38.00 (965)	40.00 (1016)
	TEFC	36.00 (914)	38.00 (965)	38.00 (965)	41.00 (1041)	49.00 (1245)

## 9.5" PUMPS

Pump Size	Frame	X	DC <sup>7</sup>	DE <sup>7</sup>	DH	YY	VD	BW		Pump Weight Excluding Motor	Casing Feet Tapping <sup>8</sup>	Drain Tap (NPSF)
								Minimum	Recommended			
1-1/2" 1592	140 TC	9.50 (241)	6.00 (152)	6.03 (153)	19.44 (494)	9.50 (241)	5.63 (143)	2.50 (64)	4.00 (102)	160 (73)	1.5" Flange	1/2"
1-1/2" 1592	180 TC	9.50 (241)	6.00 (152)	6.03 (153)	19.44 (494)	9.50 (241)	5.63 (143)	3.00 (76)	4.00 (102)	160 (73)	1.5" Flange	1/2"
1-1/2" 1592	210 TC	9.50 (241)	6.00 (152)	6.03 (153)	19.44 (494)	9.50 (241)	5.63 (143)	3.50 (89)	4.00 (102)	160 (73)	1.5" Flange	1/2"
1-1/2" 1592	250 TC	9.50 (241)	6.66 (169)	6.66 (169)	22.51 (572)	9.50 (241)	5.63 (143)	4.50 (114)	4.50 (114)	185 (84)	1.5" Flange	1/2"
1-1/2" 1592	280 TC	9.50 (241)	7.84 (199)	7.84 (199)	22.51 (572)	9.50 (241)	5.63 (143)	5.00 (127)	5.00 (127)	185 (84)	1.5" Flange	1/2"
2-1/2" 1592	180 TC	10.75 (273)	6.00 (152)	6.66 (169)	20.97 (533)	10.75 (273)	6.81 (173)	3.00 (76)	5.00 (127)	195 (88)	3" Flange	1/2"
2-1/2" 1592	210 TC	10.75 (273)	6.00 (152)	6.66 (169)	20.97 (533)	10.75 (273)	6.81 (173)	3.50 (89)	5.00 (127)	195 (88)	3" Flange	1/2"
2-1/2" 1592	250 TC	10.75 (273)	6.66 (169)	6.66 (169)	24.04 (611)	10.75 (273)	6.81 (173)	4.50 (114)	5.00 (127)	220 (100)	3" Flange	1/2"
2-1/2" 1592	280 TC	10.75 (273)	7.84 (199)	7.84 (199)	24.04 (611)	10.75 (273)	6.81 (173)	5.00 (127)	5.00 (127)	220 (100)	3" Flange	1/2"
2-1/2" 1592	320 TC	10.75 (273)	8.60 (218)	8.60 (218)	24.04 (611)	10.75 (273)	6.81 (173)	5.50 (140)	5.50 (140)	220 (100)	3" Flange	1/2"
2-1/2" 1592	360 TC	10.75 (273)	10.12 (257)	10.12 (257)	29.25 (743)	10.75 (273)	6.81 (173)	6.50 (165)	6.50 (165)	280 (127)	3" Flange	1/2"
3" 1595	140 TC	11.50 (292)	6.11 (155)	6.81 (173)	21.19 (538)	11.50 (292)	6.88 (175)	2.50 (64)	5.50 (140)	195 (88)	3" Flange	1/2"
3" 1595	180 TC	11.50 (292)	6.11 (155)	6.81 (173)	21.19 (538)	11.50 (292)	6.88 (175)	3.00 (76)	5.50 (140)	195 (88)	3" Flange	1/2"
3" 1595	210 TC	11.50 (292)	6.11 (155)	6.81 (173)	21.19 (538)	11.50 (292)	6.88 (175)	3.50 (89)	5.50 (140)	195 (88)	3" Flange	1/2"
3" 1595	250 TC	11.50 (292)	6.66 (169)	6.81 (173)	24.26 (616)	11.50 (292)	6.88 (175)	4.50 (114)	5.50 (140)	225 (102)	3" Flange	1/2"
3" 1595	280 TC	11.50 (292)	7.84 (199)	7.84 (199)	24.26 (616)	11.50 (292)	6.88 (175)	5.00 (127)	5.50 (140)	225 (102)	3" Flange	1/2"
3" 1595	320 TC	11.50 (292)	8.60 (218)	8.60 (218)	24.26 (616)	11.50 (292)	6.88 (175)	5.50 (140)	5.50 (140)	225 (102)	3" Flange	1/2"
3" 1595	360 TC	11.50 (292)	10.12 (257)	10.12 (257)	29.47 (749)	11.50 (292)	6.88 (175)	6.50 (165)	6.50 (165)	285 (129)	3" Flange	1/2"

### NOTES:

- All dimensions are in inches (mm) and may vary ± 1/4(6).
- Not for construction purposes unless certified.
- N/A = Not applicable.
- Conduit box is shown in approximate location. Dimensions are not specified as they vary with each motor manufacturer.
- Suction and discharge flanges - 125# ANSI Standard flat face.
- Optionally available - Suction and discharge flanges - 250# ANSI Standard flat face.
- Dimensions DC & DE are unit's extreme dimensions and not limited to pump casing, and may vary with each motor manufacturer.
- Casing feet tapping - (4) Tapped holes matching 125# ANSI standard flanges.
- BW Minimum - Minimum height needed to remove motor, and then disassemble pump.
- BW Recommended - Height needed to remove motor, motor bracket and impeller as one assembly.

# PENTAIR FAIRBANKS NIJHUIS® MODEL 1590 SPLIT COUPLED PUMPS

## 9.5" PUMPS

Pump Size	Frame	X	DC <sup>7</sup>	DE <sup>7</sup>	DH	YY	VD	BW		Pump Weight Excluding Motor	Casing Feet Tapping <sup>8</sup>	Drain Tap (NPSF)
								Minimum	Recommended			
3" 1595	400 TC	11.50 (292)	10.93 (278)	10.93 (278)	29.47 (749)	11.50 (292)	6.88 (175)	7.50 (191)	7.50 (191)	285 (129)	3" Flange	1/2"
4" 1596	140 TC	12.50 (318)	6.58 (167)	7.70 (196)	22.25 (565)	12.50 (318)	8.19 (208)	2.50 (64)	5.63 (143)	230 (104)	3" Flange	1/2"
4" 1596	180 TC	12.50 (318)	6.58 (167)	7.70 (196)	22.25 (565)	12.50 (318)	8.19 (208)	3.00 (76)	5.63 (143)	230 (104)	3" Flange	1/2"
4" 1596	210 TC	12.50 (318)	6.58 (167)	7.70 (196)	22.25 (565)	12.50 (318)	8.19 (208)	3.50 (89)	5.63 (143)	230 (104)	3" Flange	1/2"
4" 1596	250 TC	12.50 (318)	6.66 (169)	7.70 (196)	25.32 (643)	12.50 (318)	8.19 (208)	4.50 (114)	5.63 (143)	260 (118)	3" Flange	1/2"
4" 1596	280 TC	12.50 (318)	7.84 (199)	7.84 (199)	25.32 (643)	12.50 (318)	8.19 (208)	5.00 (127)	5.63 (143)	260 (118)	3" Flange	1/2"
4" 1596	320 TC	12.50 (318)	8.60 (218)	8.60 (218)	25.32 (643)	12.50 (318)	8.19 (208)	5.50 (140)	5.63 (143)	260 (118)	3" Flange	1/2"
4" 1596	360 TC	12.50 (318)	10.12 (257)	10.12 (257)	30.53 (775)	12.50 (318)	8.19 (208)	6.50 (165)	6.50 (165)	320 (145)	3" Flange	1/2"
4" 1596	400 TC	12.50 (318)	10.93 (278)	10.93 (278)	30.53 (775)	12.50 (318)	8.19 (208)	7.50 (191)	7.50 (191)	320 (145)	3" Flange	1/2"
4" 1596	440 TC	12.50 (318)	11.79 (299)	11.79 (299)	30.53 (775)	12.50 (318)	8.19 (208)	8.75 (222)	8.75 (222)	320 (145)	3" Flange	1/2"
5" 1592	140 TC	14.50 (368)	6.79 (172)	9.52 (242)	23.03 (585)	14.50 (368)	8.98 (228)	2.50 (64)	5.50 (140)	310 (141)	4" Flange	1/2"
5" 1592	180 TC	14.50 (368)	6.79 (172)	9.52 (242)	23.03 (585)	14.50 (368)	8.98 (228)	3.00 (76)	5.50 (140)	310 (141)	4" Flange	1/2"
5" 1592	210 TC	14.50 (368)	6.79 (172)	9.52 (242)	23.03 (585)	14.50 (368)	8.98 (228)	3.50 (89)	5.50 (140)	310 (141)	4" Flange	1/2"
5" 1592	250 TC	14.50 (368)	6.79 (172)	9.52 (242)	26.10 (663)	14.50 (368)	8.98 (228)	4.50 (114)	5.50 (140)	340 (154)	4" Flange	1/2"
5" 1592	280 TC	14.50 (368)	7.84 (199)	9.52 (242)	26.10 (663)	14.50 (368)	8.98 (228)	5.00 (127)	5.50 (140)	340 (154)	4" Flange	1/2"
5" 1592	320 TC	14.50 (368)	8.60 (218)	9.52 (242)	26.10 (663)	14.50 (368)	8.98 (228)	5.50 (140)	5.50 (140)	340 (154)	4" Flange	1/2"
5" 1592	360 TC	14.50 (368)	10.12 (257)	10.12 (257)	31.31 (795)	14.50 (368)	8.98 (228)	6.50 (165)	6.50 (165)	400 (181)	4" Flange	1/2"
5" 1592	400 TC	14.50 (368)	10.93 (278)	10.93 (278)	31.31 (795)	14.50 (368)	8.98 (228)	7.50 (191)	7.50 (191)	400 (181)	4" Flange	1/2"
5" 1592	440 TC	14.50 (368)	11.79 (299)	11.79 (299)	31.31 (795)	14.50 (368)	8.98 (228)	8.75 (222)	8.75 (222)	400 (181)	4" Flange	1/2"
6" 1592A	180 TC	16.75 (425)	7.59 (193)	10.70 (272)	25.31 (643)	16.75 (425)	10.87 (276)	3.00 (76)	6.00 (152)	370 (168)	4" Flange	1/2"
6" 1592A	210 TC	16.75 (425)	7.59 (193)	10.70 (272)	25.31 (643)	16.75 (425)	10.87 (276)	3.50 (89)	6.00 (152)	370 (168)	4" Flange	1/2"
6" 1592A	250 TC	16.75 (425)	7.59 (193)	10.70 (272)	28.38 (721)	16.75 (425)	10.87 (276)	4.50 (114)	6.00 (152)	400 (181)	4" Flange	1/2"
6" 1592A	280 TC	16.75 (425)	7.84 (199)	10.70 (272)	28.38 (721)	16.75 (425)	10.87 (276)	5.00 (127)	6.00 (152)	400 (181)	4" Flange	1/2"
8" 1591*	250 TC	18.00 (457)	8.13 (207)	11.63 (295)	28.33 (720)	18.00 (457)	10.35 (263)	4.50 (114)	7.75 (197)	460 (209)	6" Flange	1/2"
8" 1591*	280 TC	18.00 (457)	8.13 (207)	11.63 (295)	28.33 (720)	18.00 (457)	10.35 (263)	5.00 (127)	7.75 (197)	460 (209)	6" Flange	1/2"
8" 1591*	320 TC	18.00 (457)	8.13 (207)	11.63 (295)	28.33 (720)	18.00 (457)	10.35 (263)	5.50 (140)	7.75 (197)	460 (209)	6" Flange	1/2"

\* Temporarily unavailable until further notice.

### NOTES:

- All dimensions are in inches (mm) and may vary ± 1/4(6).
- Not for construction purposes unless certified.
- N/A = Not applicable.
- Conduit box is shown in approximate location. Dimensions are not specified as they vary with each motor manufacturer.
- Suction and discharge flanges - 125# ANSI Standard flat face.
- Optionally available - Suction and discharge flanges - 250# ANSI Standard flat face.
- Dimensions DC & DE are unit's extreme dimensions and not limited to pump casing, and may vary with each motor manufacturer.
- Casing feet tapping - (4) Tapped holes matching 125# ANSI standard flanges.
- BW Minimum - Minimum height needed to remove motor, and then disassemble pump.
- BW Recommended - Height needed to remove motor, motor bracket and impeller as one assembly.

# PENTAIR FAIRBANKS NIJHUIS® MODEL 1590 SPLIT COUPLED PUMPS

## TC MOTOR FRAMES

FRAMES		143 TC	145 TC	184 TC	186 TC	213 TC
AG	ODP	12.00 (304)	12.00 (304)	14.00 (356)	14.00 (356)	17.00 (432)
	TEFC	13.00 (330)	13.00 (330)	13.00 (330)	13.00 (330)	21.00 (533)
FRAMES		215 TC	254 TC	256 TC	284 TC	286 TC
AG	ODP	18.00 (457)	22.00 (559)	22.00 (559)	23.00 (584)	23.00 (584)
	TEFC	21.00 (533)	25.00 (635)	25.00 (635)	27.00 (686)	27.00 (686)
FRAMES		324 TC	326 TC	364 TC	365 TC	404 TC
AG	ODP	23.00 (584)	23.00 (584)	25.00 (635)	25.00 (635)	28.00 (711)
	TEFC	28.00 (711)	29.00 (737)	35.00 (889)	35.00 (889)	36.00 (914)
FRAMES		405 TC	444 TC	445 TC	447 TC	449 TC
AG	ODP	28.00 (711)	33.00 (838)	35.00 (889)	38.00 (965)	40.00 (1016)
	TEFC	36.00 (914)	38.00 (965)	38.00 (965)	41.00 (1041)	49.00 (1245)

## 11" PUMPS

Pump Size	Frame	X	DC <sup>7</sup>	DE <sup>7</sup>	DH	YY	VD	BW		Pump Weight Excluding Motor	Casing Feet Tapping <sup>8</sup>	Drain Tap (NPSF)
								Minimum	Recommended			
2" 1593	140 TC	11.00 (279)	6.94 (176)	6.94 (176)	19.91 (506)	11.00 (279)	5.88 (149)	2.50 (64)	4.00 (102)	210 (95)	2" Flange	1/2"
2" 1593	180 TC	11.00 (279)	6.94 (176)	6.94 (176)	19.91 (506)	11.00 (279)	5.88 (149)	3.00 (76)	4.00 (102)	210 (95)	2" Flange	1/2"
2" 1593	210 TC	11.00 (279)	6.94 (176)	6.94 (176)	19.91 (506)	11.00 (279)	5.88 (149)	3.50 (89)	4.00 (102)	210 (95)	2" Flange	1/2"
2" 1593	250 TC	11.00 (279)	6.94 (176)	6.94 (176)	23.27 (591)	11.00 (279)	5.88 (149)	4.50 (114)	4.50 (114)	245 (111)	2" Flange	1/2"
2" 1593	280 TC	11.00 (279)	6.94 (176)	7.00 (178)	23.27 (591)	11.00 (279)	5.88 (149)	5.00 (127)	5.00 (127)	245 (111)	2" Flange	1/2"
2" 1593	320 TC	11.00 (279)	8.60 (218)	8.60 (218)	23.27 (591)	11.00 (279)	5.88 (149)	5.50 (140)	5.50 (140)	250 (113)	2" Flange	1/2"
3" 1596A	140 TC	12.50 (318)	6.94 (176)	7.36 (187)	20.83 (529)	11.50 (292)	7.00 (178)	2.50 (64)	6.00 (152)	210 (95)	2" Flange	1/2"
3" 1596A	180 TC	12.50 (318)	6.94 (176)	7.36 (187)	20.83 (529)	11.50 (292)	7.00 (178)	3.00 (76)	6.00 (152)	210 (95)	2" Flange	1/2"
3" 1596A	210 TC	12.50 (318)	6.94 (176)	7.36 (187)	20.83 (529)	11.50 (292)	7.00 (178)	3.50 (89)	6.00 (152)	210 (95)	2" Flange	1/2"
3" 1596A	250 TC	12.50 (318)	6.94 (176)	7.36 (187)	24.08 (612)	11.50 (292)	7.00 (178)	4.50 (114)	6.00 (152)	245 (111)	2" Flange	1/2"
3" 1596A	280 TC	12.50 (318)	6.94 (176)	7.36 (187)	24.08 (612)	11.50 (292)	7.00 (178)	5.00 (127)	6.00 (152)	245 (111)	2" Flange	1/2"
3" 1596A	320 TC	12.50 (318)	8.61 (219)	8.61 (219)	24.08 (612)	11.50 (292)	7.00 (178)	5.50 (140)	6.00 (152)	245 (111)	2" Flange	1/2"
3" 1596A	360 TC	12.50 (318)	10.12 (257)	10.12 (257)	29.13 (740)	11.50 (292)	7.00 (178)	6.50 (165)	6.50 (165)	290 (132)	2" Flange	1/2"
3" 1596A	400 TC	12.50 (318)	10.93 (278)	10.93 (278)	29.13 (740)	11.50 (292)	7.00 (178)	7.50 (191)	7.50 (191)	290 (132)	2" Flange	1/2"
4" 1597	180 TC	14.00 (356)	7.26 (184)	8.45 (215)	21.83 (554)	12.50 (318)	8.00 (203)	3.00 (76)	6.00 (152)	260 (118)	4" Flange	1/2"
4" 1597	210 TC	14.00 (356)	7.26 (184)	8.45 (215)	21.83 (554)	12.50 (318)	8.00 (203)	3.50 (89)	6.00 (152)	260 (118)	4" Flange	1/2"

### NOTES:

- All dimensions are in inches (mm) and may vary ± 1/4(6).
- Not for construction purposes unless certified.
- N/A = Not applicable.
- Conduit box is shown in approximate location. Dimensions are not specified as they vary with each motor manufacturer.
- Suction and discharge flanges - 125# ANSI Standard flat face.
- Optionally available - Suction and discharge flanges - 250# ANSI Standard flat face.
- Dimensions DC & DE are unit's extreme dimensions and not limited to pump casing, and may vary with each motor manufacturer.
- Casing feet tapping - (4) Tapped holes matching 125# ANSI standard flanges.
- BW Minimum - Minimum height needed to remove motor, and then disassemble pump.
- BW Recommended - Height needed to remove motor, motor bracket and impeller as one assembly.



# PENTAIR FAIRBANKS NIJHUIS® MODEL 1590 SPLIT COUPLED PUMPS

## 11" PUMPS

Pump Size	Frame	X	DC <sup>7</sup>	DE <sup>7</sup>	DH	YY	VD	BW		Pump Weight Excluding Motor	Casing Feet Tapping <sup>8</sup>	Drain Tap (NPSF)
								Minimum	Recommended			
4" 1597	250 TC	14.00 (356)	7.26 (184)	8.45 (215)	25.08 (637)	12.50 (318)	8.00 (203)	4.50 (114)	6.00 (152)	290 (132)	4" Flange	1/2"
4" 1597	280 TC	14.00 (356)	7.84 (199)	8.45 (215)	25.08 (637)	12.50 (318)	8.00 (203)	5.00 (127)	6.00 (152)	290 (132)	4" Flange	1/2"
4" 1597	320 TC	14.00 (356)	8.60 (218)	8.60 (218)	25.08 (637)	12.50 (318)	8.00 (203)	5.50 (140)	6.00 (152)	290 (132)	4" Flange	1/2"
4" 1597	360 TC	14.00 (356)	10.12 (257)	10.12 (257)	30.13 (765)	12.50 (318)	8.00 (203)	6.50 (165)	6.50 (165)	340 (154)	4" Flange	1/2"
4" 1597	400 TC	14.00 (356)	10.93 (278)	10.93 (278)	30.13 (765)	12.50 (318)	8.00 (203)	7.50 (191)	7.50 (191)	340 (154)	4" Flange	1/2"
4" 1597	440 TC	14.00 (356)	11.79 (299)	11.79 (299)	30.13 (765)	12.50 (318)	8.00 (203)	8.75 (222)	8.75 (222)	340 (154)	4" Flange	1/2"
5" 1593A	140 TC	14.75 (375)	7.43 (189)	9.70 (246)	22.14 (562)	14.25 (362)	8.25 (210)	2.50 (64)	6.00 (152)	295 (134)	4" Flange	1/2"
5" 1593A	180 TC	14.75 (375)	7.43 (189)	9.70 (246)	22.14 (562)	14.25 (362)	8.25 (210)	3.00 (76)	6.00 (152)	300 (136)	4" Flange	1/2"
5" 1593A	210 TC	14.75 (375)	7.43 (189)	9.70 (246)	22.14 (562)	14.25 (362)	8.25 (210)	3.50 (89)	6.00 (152)	300 (136)	4" Flange	1/2"
5" 1593A	250 TC	14.75 (375)	7.43 (189)	9.70 (246)	25.39 (645)	14.25 (362)	8.25 (210)	4.50 (114)	6.00 (152)	330 (150)	4" Flange	1/2"
5" 1593A	280 TC	14.75 (375)	7.84 (199)	9.70 (246)	25.39 (645)	14.25 (362)	8.25 (210)	5.00 (127)	6.00 (152)	330 (150)	4" Flange	1/2"
5" 1593A	320 TC	14.75 (375)	8.60 (218)	9.70 (246)	25.39 (645)	14.25 (362)	8.25 (210)	5.50 (140)	6.00 (152)	330 (150)	4" Flange	1/2"
5" 1593A	360 TC	14.75 (375)	10.12 (257)	10.12 (257)	30.44 (773)	14.25 (362)	8.25 (210)	6.50 (165)	6.50 (165)	380 (172)	4" Flange	1/2"
5" 1593A	400 TC	14.75 (375)	10.93 (278)	10.93 (278)	30.44 (773)	14.25 (362)	8.25 (210)	7.50 (191)	7.50 (191)	380 (172)	4" Flange	1/2"
5" 1593A	440 TC	14.75 (375)	11.79 (299)	11.79 (299)	30.44 (773)	14.25 (362)	8.25 (210)	8.75 (222)	8.75 (222)	380 (172)	4" Flange	1/2"
6" 1593	140 TC	16.00 (406)	8.04 (204)	10.98 (279)	23.70 (602)	17.00 (432)	9.75 (248)	2.50 (64)	7.00 (178)	355 (161)	6" Flange	1/2"
6" 1593	180 TC	16.00 (406)	8.04 (204)	10.98 (279)	23.70 (602)	17.00 (432)	9.75 (248)	3.00 (76)	7.00 (178)	355 (161)	6" Flange	1/2"
6" 1593	210 TC	16.00 (406)	8.04 (204)	10.98 (279)	23.70 (602)	17.00 (432)	9.75 (248)	3.50 (89)	7.00 (178)	355 (161)	6" Flange	1/2"
6" 1593	250 TC	16.00 (406)	8.04 (204)	10.98 (279)	26.95 (685)	17.00 (432)	9.75 (248)	4.50 (114)	7.00 (178)	390 (177)	6" Flange	1/2"
6" 1593	280 TC	16.00 (406)	8.04 (204)	10.98 (279)	26.95 (685)	17.00 (432)	9.75 (248)	5.00 (127)	7.00 (178)	390 (177)	6" Flange	1/2"
6" 1593	320 TC	16.00 (406)	8.60 (218)	10.98 (279)	26.95 (685)	17.00 (432)	9.75 (248)	5.50 (140)	7.00 (178)	390 (177)	6" Flange	1/2"
6" 1593	360 TC	16.00 (406)	8.60 (218)	10.98 (279)	32.00 (813)	17.00 (432)	9.75 (248)	6.50 (165)	7.00 (178)	435 (197)	6" Flange	1/2"
8" 1592A	210 TC	19.50 (495)	9.06 (230)	13.12 (333)	25.47 (647)	21.50 (546)	11.14 (283)	3.50 (89)	7.00 (178)	475 (215)	6" Flange	1/2"
8" 1592A	250 TC	19.50 (495)	9.06 (230)	13.12 (333)	28.72 (729)	21.50 (546)	11.14 (283)	4.50 (114)	7.00 (178)	510 (231)	6" Flange	1/2"
8" 1592A	280 TC	19.50 (495)	9.06 (230)	13.12 (333)	28.72 (729)	21.50 (546)	11.14 (283)	5.00 (127)	7.00 (178)	510 (231)	6" Flange	1/2"
8" 1592A	320 TC	19.50 (495)	9.06 (230)	13.12 (333)	28.72 (729)	21.50 (546)	11.14 (283)	5.50 (140)	7.00 (178)	510 (231)	6" Flange	1/2"
8" 1592A	360 TC	19.50 (495)	10.12 (257)	13.12 (333)	33.77 (858)	21.50 (546)	11.14 (283)	6.50 (165)	7.00 (178)	555 (252)	6" Flange	1/2"

**NOTES:**

- All dimensions are in inches (mm) and may vary ± 1/4(6).
- Not for construction purposes unless certified.
- N/A = Not applicable.
- Conduit box is shown in approximate location. Dimensions are not specified as they vary with each motor manufacturer.
- Suction and discharge flanges - 125# ANSI Standard flat face.
- Optionally available - Suction and discharge flanges - 250# ANSI Standard flat face.
- Dimensions DC & DE are unit's extreme dimensions and not limited to pump casing, and may vary with each motor manufacturer.
- Casing feet tapping - (4) Tapped holes matching 125# ANSI standard flanges.
- BW Minimum - Minimum height needed to remove motor, and then disassemble pump.
- BW Recommended - Height needed to remove motor, motor bracket and impeller as one assembly.

# PENTAIR FAIRBANKS NIJHUIS® MODEL 1590 SPLIT COUPLED PUMPS

## TC MOTOR FRAMES

FRAMES		143 TC	145 TC	184 TC	186 TC	213 TC
AG	ODP	12.00 (304)	12.00 (304)	14.00 (356)	14.00 (356)	17.00 (432)
	TEFC	13.00 (330)	13.00 (330)	13.00 (330)	13.00 (330)	21.00 (533)
FRAMES		215 TC	254 TC	256 TC	284 TC	286 TC
AG	ODP	18.00 (457)	22.00 (559)	22.00 (559)	23.00 (584)	23.00 (584)
	TEFC	21.00 (533)	25.00 (635)	25.00 (635)	27.00 (686)	27.00 (686)
FRAMES		324 TC	326 TC	364 TC	365 TC	404 TC
AG	ODP	23.00 (584)	23.00 (584)	25.00 (635)	25.00 (635)	28.00 (711)
	TEFC	28.00 (711)	29.00 (737)	35.00 (889)	35.00 (889)	36.00 (914)
FRAMES		405 TC	444 TC	445 TC	447 TC	449 TC
AG	ODP	28.00 (711)	33.00 (838)	35.00 (889)	38.00 (965)	40.00 (1016)
	TEFC	36.00 (914)	38.00 (965)	38.00 (965)	41.00 (1041)	49.00 (1245)

## 13.5" PUMPS

Pump Size	Frame	X	DC <sup>7</sup>	DE <sup>7</sup>	DH	YY	VD	BW		Pump Weight Excluding Motor	Casing Feet Tapping <sup>8</sup>	Drain Tap (NPSF)
								Minimum	Recommended			
3" 1597	140 TC	14.25 (362)	8.52 (216)	9.26 (235)	23.13 (588)	14.25 (362)	8.25 (210)	2.50 (64)	7.50 (191)	320 (145)	4" Flange	1/2"
3" 1597	180 TC	14.25 (362)	8.52 (216)	9.26 (235)	23.13 (588)	14.25 (362)	8.25 (210)	3.00 (76)	7.50 (191)	320 (145)	4" Flange	1/2"
3" 1597	210 TC	14.25 (362)	8.52 (216)	9.26 (235)	23.13 (588)	14.25 (362)	8.25 (210)	3.50 (89)	7.50 (191)	320 (145)	4" Flange	1/2"
3" 1597	250 TC	14.25 (362)	8.52 (216)	9.26 (235)	25.56 (649)	14.25 (362)	8.25 (210)	4.50 (114)	7.50 (191)	350 (159)	4" Flange	1/2"
3" 1597	280 TC	14.25 (362)	8.52 (216)	9.26 (235)	25.56 (649)	14.25 (362)	8.25 (210)	5.00 (127)	7.50 (191)	350 (159)	4" Flange	1/2"
3" 1597	320 TC	14.25 (362)	8.52 (216)	9.26 (235)	25.56 (649)	14.25 (362)	8.25 (210)	5.50 (140)	7.50 (191)	350 (159)	4" Flange	1/2"
4" 1598	180 TC	14.50 (368)	8.72 (221)	9.66 (245)	23.88 (607)	14.50 (368)	9.06 (230)	3.00 (76)	6.50 (165)	325 (147)	4" Flange	1/2"
4" 1598	210 TC	14.50 (368)	8.72 (221)	9.66 (245)	23.88 (607)	14.50 (368)	9.06 (230)	3.50 (89)	6.50 (165)	325 (147)	4" Flange	1/2"
4" 1598	250 TC	14.50 (368)	8.72 (221)	9.66 (245)	26.31 (668)	14.50 (368)	9.06 (230)	4.50 (114)	6.50 (165)	360 (163)	4" Flange	1/2"
4" 1598	280 TC	14.50 (368)	8.72 (221)	9.66 (245)	26.31 (668)	14.50 (368)	9.06 (230)	5.00 (127)	6.50 (165)	360 (163)	4" Flange	1/2"
4" 1598	320 TC	14.50 (368)	8.72 (221)	9.66 (245)	26.31 (668)	14.50 (368)	9.06 (230)	5.50 (140)	6.50 (165)	360 (163)	4" Flange	1/2"
5" 1594	250 TC	16.50 (419)	8.91 (226)	10.02 (255)	26.23 (666)	16.50 (419)	9.35 (237)	4.50 (114)	6.88 (175)	415 (188)	4" Flange	1/2"
5" 1594	280 TC	16.50 (419)	8.91 (226)	10.02 (255)	26.23 (666)	16.50 (419)	9.35 (237)	5.00 (127)	6.88 (175)	415 (188)	4" Flange	1/2"
5" 1594	320 TC	16.50 (419)	8.91 (226)	10.02 (255)	26.23 (666)	16.50 (419)	9.35 (237)	5.50 (140)	6.88 (175)	415 (188)	4" Flange	1/2"
6" 1594	250 TC	19.25 (489)	9.53 (242)	12.63 (321)	27.75 (705)	19.75 (502)	10.38 (264)	4.50 (114)	7.50 (191)	540 (245)	6" Flange	1/2"
6" 1594	280 TC	19.25 (489)	9.53 (242)	12.63 (321)	27.75 (705)	19.75 (502)	10.38 (264)	5.00 (127)	7.50 (191)	540 (245)	6" Flange	1/2"

### NOTES:

- All dimensions are in inches (mm) and may vary  $\pm 1/4(6)$ .
- Not for construction purposes unless certified.
- N/A = Not applicable.
- Conduit box is shown in approximate location. Dimensions are not specified as they vary with each motor manufacturer.
- Suction and discharge flanges - 125# ANSI Standard flat face.
- Optionally available - Suction and discharge flanges - 250# ANSI Standard flat face.
- Dimensions DC & DE are unit's extreme dimensions and not limited to pump casing, and may vary with each motor manufacturer.
- Casing feet tapping - (4) Tapped holes matching 125# ANSI standard flanges.
- BW Minimum - Minimum height needed to remove motor, and then disassemble pump.
- BW Recommended - Height needed to remove motor, motor bracket and impeller as one assembly.

# PENTAIR FAIRBANKS NIJHUIS® MODEL 1590 SPLIT COUPLED PUMPS

## 13.5" PUMPS

Pump Size	Frame	X	DC <sup>7</sup>	DE <sup>7</sup>	DH	YY	VD	BW		Pump Weight Excluding Motor	Casing Feet Tapping <sup>8</sup>	Drain Tap (NPSF)
								Minimum	Recommended			
6" 1594	320 TC	19.25 (489)	9.53 (242)	12.63 (321)	27.75 (705)	19.75 (502)	10.38 (264)	5.50 (140)	7.50 (191)	540 (245)	6" Flange	1/2"
6" 1594	360 TC	19.25 (489)	9.53 (242)	12.63 (321)	32.82 (834)	19.75 (502)	10.38 (264)	6.50 (165)	7.50 (191)	585 (265)	6" Flange	1/2"
8" 1594A	250 TC	21.50 (546)	9.93 (252)	13.74 (349)	28.79 (731)	20.50 (521)	11.46 (291)	4.50 (114)	8.00 (203)	635 (288)	6" Flange	1/2"
8" 1594A	280 TC	21.50 (546)	9.93 (252)	13.74 (349)	28.79 (731)	20.50 (521)	11.46 (291)	5.00 (127)	8.00 (203)	635 (288)	6" Flange	1/2"
8" 1594A	320 TC	21.50 (546)	9.93 (252)	13.74 (349)	28.79 (731)	20.50 (521)	11.46 (291)	5.50 (140)	8.00 (203)	635 (288)	6" Flange	1/2"
8" 1594A	360 TC	21.50 (546)	9.93 (252)	13.74 (349)	33.82 (859)	20.50 (521)	11.46 (291)	6.50 (165)	8.00 (203)	690 (313)	6" Flange	1/2"
8" 1594A	400 TC	21.50 (546)	9.93 (252)	13.74 (349)	33.82 (859)	20.50 (521)	11.46 (291)	7.50 (191)	8.00 (203)	690 (313)	6" Flange	1/2"
8" 1594A	440 TC	21.50 (546)	9.93 (252)	13.74 (349)	33.82 (859)	20.50 (521)	11.46 (291)	8.75 (222)	9.00 (229)	690 (313)	6" Flange	1/2"
10" 1591A	250 TC	23.00 (584)	10.52 (267)	15.67 (398)	29.54 (750)	24.50 (622)	12.38 (314)	4.50 (114)	8.00 (203)	770 (349)	6" Flange	1/2"
10" 1591A	280 TC	23.00 (584)	10.52 (267)	15.67 (398)	29.54 (750)	24.50 (622)	12.38 (314)	5.00 (127)	8.00 (203)	770 (349)	6" Flange	1/2"
10" 1591A	320 TC	23.00 (584)	10.52 (267)	15.67 (398)	29.54 (750)	24.50 (622)	12.38 (314)	5.50 (140)	8.00 (203)	770 (349)	6" Flange	1/2"
10" 1591A	360 TC	23.00 (584)	10.52 (267)	15.67 (398)	34.57 (878)	24.50 (622)	12.38 (314)	6.50 (165)	8.00 (203)	830 (376)	6" Flange	1/2"
10" 1591A	400 TC	23.00 (584)	10.52 (267)	15.67 (398)	34.57 (878)	24.50 (622)	12.38 (314)	8.00 (203)	8.00 (203)	830 (376)	6" Flange	1/2"
10" 1591A	440 TC	23.00 (584)	10.52 (267)	15.67 (398)	34.57 (878)	24.50 (622)	12.38 (314)	9.00 (229)	9.00 (229)	830 (376)	6" Flange	1/2"

**NOTES:**

- All dimensions are in inches (mm) and may vary ± 1/4(6).
- Not for construction purposes unless certified.
- N/A = Not applicable.
- Conduit box is shown in approximate location. Dimensions are not specified as they vary with each motor manufacturer.
- Suction and discharge flanges - 125# ANSI Standard flat face.
- Optionally available - Suction and discharge flanges - 250# ANSI Standard flat face.
- Dimensions DC & DE are unit's extreme dimensions and not limited to pump casing, and may vary with each motor manufacturer.
- Casing feet tapping - (4) Tapped holes matching 125# ANSI standard flanges.
- BW Minimum - Minimum height needed to remove motor, and then disassemble pump.
- BW Recommended - Height needed to remove motor, motor bracket and impeller as one assembly.

# PENTAIR FAIRBANKS NIJHUIS® MODEL 1590 SPLIT COUPLED PUMPS

## TC MOTOR FRAMES

FRAMES		286 TC	324 TC	326 TC	364 TC	365 TC	404 TC
AG	ODP	23.00 (584)	23.00 (584)	23.00 (584)	25.00 (635)	25.00 (635)	28.00 (711)
	TEFC	27.00 (686)	28.00 (711)	29.00 (737)	35.00 (889)	35.00 (889)	36.00 (914)
FRAMES		405 TC	444 TC	445 TC	447 TC	449 TC	5010 SD
AG	ODP	28.00 (711)	33.00 (838)	35.00 (889)	38.00 (965)	40.00 (1016)	51.00 (1295)
	TEFC	36.00 (914)	38.00 (965)	38.00 (965)	41.00 (1041)	49.00 (1245)	64.00 (1626)

## 10" 1592 THROUGH 14" 1593

Pump Size	Frame	X	DC <sup>7</sup>	DE <sup>7</sup>	DH	YY	VD	BW		Pump Weight Excluding Motor	Casing Feet Tapping <sup>8</sup>	Drain Tap (NPSF)
								Minimum	Recommended			
10" 1592	320 TC	25.00 (635)	10.61 (269)	14.80 (376)	32.24 (819)	25.00 (635)	10.61 (269)	6.00 (152)	15.00 (381)	1104	8" Flange	1/2 "
10" 1592	360 TC	25.00 (635)	10.61 (269)	14.80 (376)	32.86 (835)	25.00 (635)	10.61 (269)	6.50 (165)	15.00 (381)	1106	8" Flange	1/2 "
10" 1592	400 TC	25.00 (635)	10.61 (269)	14.80 (376)	34.24 (870)	25.00 (635)	10.61 (269)	8.00 (203)	15.00 (381)	1111	8" Flange	1/2 "
10" 1592	440 TC	25.00 (635)	10.61 (269)	14.80 (376)	35.49 (902)	25.00 (635)	10.61 (269)	9.00 (229)	15.00 (381)	1124	8" Flange	1/2 "
10" 1594	360 TC	26.00 (660)	13.22 (336)	17.97 (456)	31.65 (804)	26.00 (660)	14.00 (356)	6.50 (165)	9.00 (229)	1088	8" Flange	1/2 "
10" 1594	400 TC	26.00 (660)	13.22 (336)	17.97 (456)	33.03 (839)	26.00 (660)	14.00 (356)	8.00 (203)	9.00 (229)	1093	8" Flange	1/2 "
10" 1594	440 TC	26.00 (660)	13.22 (336)	17.97 (456)	34.28 (871)	26.00 (660)	14.00 (356)	9.00 (229)	9.00 (229)	1096	8" Flange	1/2 "
10" 1594	5010 SD	26.00 (660)	13.22 (336)	17.97 (456)	31.53 (801)	26.00 (660)	14.00 (356)	6.00 (152)	9.00 (229)	1157	8" Flange	1/2 "
12" 1591	280 TC	25.75 (654)	11.33 (288)	17.09 (434)	38.45 (977)	25.75 (654)	14.00 (356)	5.00 (127)	20.00 (508)	1369	10" Flange	1/2 "
12" 1591	320 TC	25.75 (654)	11.33 (288)	17.09 (434)	39.08 (993)	25.75 (654)	14.00 (356)	6.00 (152)	20.00 (508)	1375	10" Flange	1/2 "
12" 1591	360 TC	25.75 (654)	11.33 (288)	17.09 (434)	39.70 (1008)	25.75 (654)	14.00 (356)	6.50 (165)	20.00 (508)	1377	10" Flange	1/2 "
12" 1591	400 TC	25.75 (654)	11.33 (288)	17.09 (434)	41.08 (1043)	25.75 (654)	14.00 (356)	8.00 (203)	20.00 (508)	1382	10" Flange	1/2 "
12" 1591	440 TC	25.75 (654)	11.33 (288)	17.09 (434)	42.33 (1075)	25.75 (654)	14.00 (356)	9.00 (229)	20.00 (508)	1395	10" Flange	1/2 "
12" 1593	360 TC	28.00 (711)	12.84 (326)	18.57 (472)	45.12 (1146)	28.00 (711)	15.94 (405)	6.50 (165)	22.00 (559)	1809	10" Flange	1/2 "
12" 1593	400 TC	28.00 (711)	12.84 (326)	18.57 (472)	46.50 (1181)	28.00 (711)	15.94 (405)	8.00 (203)	22.00 (559)	1814	10" Flange	1/2 "
12" 1593	440 TC	28.00 (711)	12.84 (326)	18.57 (472)	47.75 (1213)	28.00 (711)	15.94 (405)	9.00 (229)	22.00 (559)	1827	10" Flange	1/2 "
12" 1593	5010 SD	28.00 (711)	12.84 (326)	18.57 (472)	45.03 (1144)	28.00 (711)	15.94 (405)	6.00 (152)	22.00 (559)	1878	10" Flange	1/2 "

### NOTES:

- All dimensions are in inches (mm) and may vary ± 1/4(6).
- Not for construction purposes unless certified.
- N/A = Not applicable.
- Conduit box is shown in approximate location. Dimensions are not specified as they vary with each motor manufacturer.
- Suction and discharge flanges - 125# ANSI Standard flat face.
- Optionally available - Suction and discharge flanges - 250# ANSI Standard flat face.
- Dimensions DC & DE are unit's extreme dimensions and not limited to pump casing, and may vary with each motor manufacturer.
- Casing feet tapping - (4) Tapped holes matching 125# ANSI standard flanges.
- BW Minimum - Minimum height needed to remove motor, and then disassemble pump.
- BW Recommended - Height needed to remove motor, motor bracket and impeller as one assembly.

# PENTAIR FAIRBANKS NIJHUIS® MODEL 1590 SPLIT COUPLED PUMPS

## 10" 1592 THROUGH 14" 1593

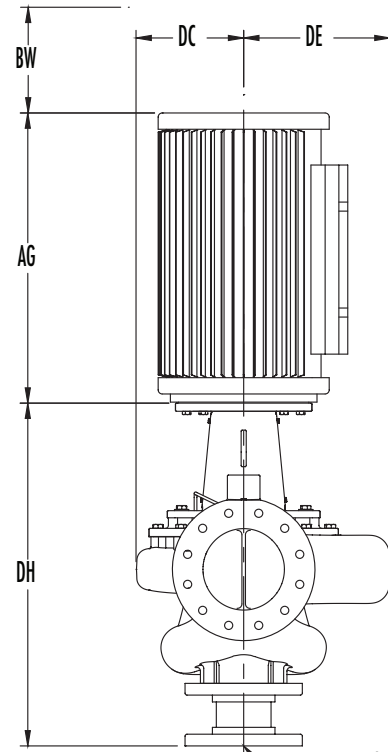
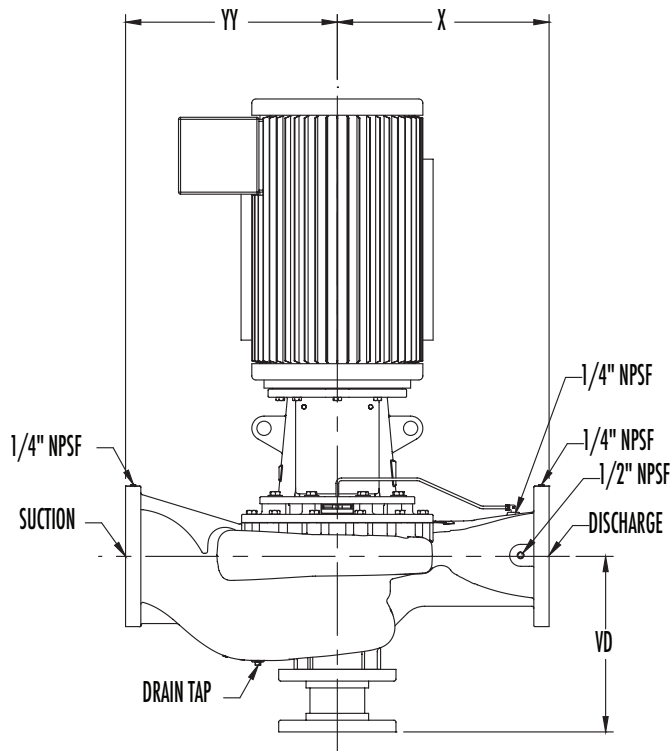
Pump Size	Frame	X	DC <sup>7</sup>	DE <sup>7</sup>	DH	YY	VD	BW		Pump Weight Excluding Motor	Casing Feet Tapping <sup>8</sup>	Drain Tap (NPSF)
								Minimum	Recommended			
14" 1591	320 TC	27.50 (699)	12.93 (328)	19.67 (500)	41.75 (1060)	27.50 (699)	14.94 (379)	6.00 (152)	22.00 (559)	1636	10" Flange	3/4"
14" 1591	360 TC	27.50 (699)	12.93 (328)	19.67 (500)	42.37 (1076)	27.50 (699)	14.94 (379)	6.50 (165)	22.00 (559)	1641	10" Flange	3/4"
14" 1591	400 TC	27.50 (699)	12.93 (328)	19.67 (500)	43.75 (1111)	27.50 (699)	14.94 (379)	8.00 (203)	22.00 (559)	1700	10" Flange	3/4"
14" 1591	440 TC	27.50 (699)	12.93 (328)	19.67 (500)	45.00 (1143)	27.50 (699)	14.94 (379)	9.00 (229)	22.00 (559)	1713	10" Flange	3/4"
14" 1591	5010 SD	27.50 (699)	12.93 (328)	19.67 (500)	42.25 (1073)	27.50 (699)	14.94 (379)	6.00 (152)	22.00 (559)	1748	10" Flange	3/4"
14" 1593	400 TC	31.00 (787)	13.14 (334)	18.34 (466)	43.00 (1092)	31.00 (787)	14.19 (360)	8.00 (203)	20.00 (508)	1941	10" Flange	3/4"
14" 1593	440 TC	31.00 (787)	13.14 (334)	18.34 (466)	44.25 (1124)	31.00 (787)	14.19 (360)	9.00 (229)	20.00 (508)	1952	10" Flange	3/4"
14" 1593	5010 SD	31.00 (787)	13.14 (334)	18.34 (466)	41.50 (1054)	31.00 (787)	14.19 (360)	6.00 (152)	20.00 (508)	1990	10" Flange	3/4"

**NOTES:**

1. All dimensions are in inches(mm) and may vary ± 1/4(6).
2. Not for construction purposes unless certified.
3. N/A = Not applicable.
4. Conduit box is shown in approximate location. Dimensions are not specified as they vary with each motor manufacturer.
5. Suction and discharge flanges - 125# ANSI Standard flat face.
6. Optionally available - Suction and discharge flanges - 250# ANSI Standard flat face.
7. Dimensions DC & DE are unit's extreme dimensions and not limited to pump casing, and may vary with each motor manufacturer.
8. Casing feet tapping - (4) Tapped holes matching 125# ANSI standard flanges.
9. BW Minimum - Minimum height needed to remove motor, and then disassemble pump.
10. BW Recommended - Height needed to remove motor, motor bracket and impeller as one assembly.

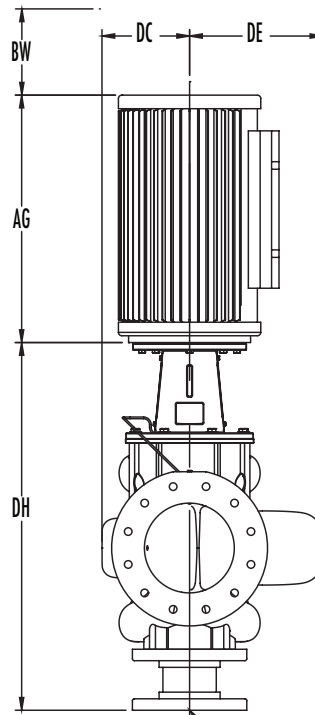
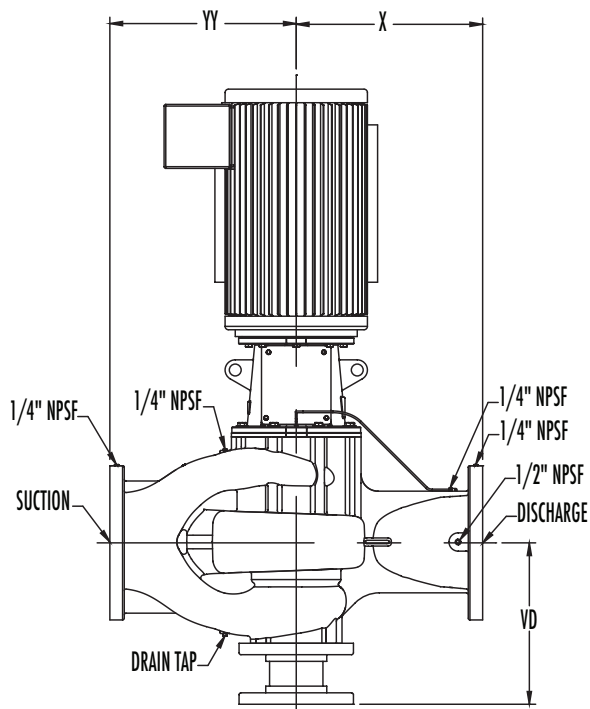
# PENTAIR FAIRBANKS NIJHUIS® MODEL 1590 SPLIT COUPLED PUMPS WITH OPTIONAL SPOOL BASE

## SINGLE SUCTION PUMPS



PIPE FLANGE SPOOL BASE  
MATCHES ANSI 125 LBS.  
FLANGE DIMENSIONS

## DOUBLE SUCTION PUMPS



PIPE FLANGE SPOOL BASE  
MATCHES ANSI 125 LBS.  
FLANGE DIMENSIONS

# PENTAIR FAIRBANKS NIJHUIS® MODEL 1590 SPLIT COUPLED PUMPS WITH OPTIONAL SPOOL BASE

## TC MOTOR FRAMES

FRAMES		143 TC	145 TC	184 TC	186 TC	213 TC
AG	ODP	12.00 (304)	12.00 (304)	14.00 (356)	14.00 (356)	17.00 (432)
	TEFC	13.00 (330)	13.00 (330)	13.00 (330)	13.00 (330)	21.00 (533)
FRAMES		215 TC	254 TC	256 TC	284 TC	286 TC
AG	ODP	18.00 (457)	22.00 (559)	22.00 (559)	23.00 (584)	23.00 (584)
	TEFC	21.00 (533)	25.00 (635)	25.00 (635)	27.00 (686)	27.00 (686)
FRAMES		324 TC	326 TC	364 TC	365 TC	404 TC
AG	ODP	23.00 (584)	23.00 (584)	25.00 (635)	25.00 (635)	28.00 (711)
	TEFC	28.00 (711)	29.00 (737)	35.00 (889)	35.00 (889)	36.00 (914)
FRAMES		405 TC	444 TC	445 TC	447 TC	449 TC
AG	ODP	28.00 (711)	33.00 (838)	35.00 (889)	38.00 (965)	40.00 (1016)
	TEFC	36.00 (914)	38.00 (965)	38.00 (965)	41.00 (1041)	49.00 (1245)

## 7" PUMPS

Pump Size	Frame	X	DC <sup>7</sup>	DE <sup>7</sup>	DH	YY	VD	BW		Pump Weight Excluding Motor	Casing Feet Tapping <sup>8</sup>	Drain Tap (NPSF)
								Minimum	Recommended			
1-1/2" 1591	140 TC	7.50 (191)	4.56 (116)	4.90 (124)	22.33 (567)	7.50 (191)	8.69 (221)	2.50 (64)	3.75 (95)	132 (60)	1.5" Flange	1/2"
1-1/2" 1591	180 TC	7.50 (191)	5.00 (127)	5.00 (127)	22.33 (567)	7.50 (191)	8.69 (221)	3.00 (76)	3.75 (95)	132 (60)	1.5" Flange	1/2"
1-1/2" 1591	210 TC	7.50 (191)	5.50 (140)	5.50 (140)	22.33 (567)	7.50 (191)	8.69 (221)	3.50 (89)	3.75 (95)	132 (60)	1.5" Flange	1/2"
2" 1592A	140 TC	8.50 (216)	4.56 (116)	5.12 (130)	23.50 (597)	8.50 (216)	9.31 (237)	2.50 (64)	4.38 (111)	146 (66)	2" Flange	1/2"
2" 1592A	180 TC	8.50 (216)	5.00 (127)	5.12 (130)	23.50 (597)	8.50 (216)	9.31 (237)	3.00 (76)	4.38 (111)	146 (66)	2" Flange	1/2"
2" 1592A	210 TC	8.50 (216)	5.50 (140)	5.50 (140)	23.50 (597)	8.50 (216)	9.31 (237)	3.50 (89)	4.38 (111)	146 (66)	2" Flange	1/2"
2" 1592A	250 TC	8.50 (216)	6.94 (176)	6.94 (176)	26.51 (673)	8.50 (216)	9.31 (237)	4.50 (114)	4.50 (114)	186 (84)	2" Flange	1/2"
2-1/2" 1591A	140 TC	9.00 (229)	4.67 (119)	5.39 (137)	24.17 (614)	9.00 (229)	9.88 (251)	2.50 (64)	5.00 (127)	161 (73)	2" Flange	1/2"
2-1/2" 1591A	180 TC	9.00 (229)	5.00 (127)	5.12 (130)	24.17 (614)	9.00 (229)	9.88 (251)	3.00 (76)	5.00 (127)	161 (73)	2" Flange	1/2"
2-1/2" 1591A	210 TC	9.00 (229)	5.50 (140)	5.50 (140)	24.17 (614)	9.00 (229)	9.88 (251)	3.50 (89)	5.00 (127)	161 (73)	2" Flange	1/2"
2-1/2" 1591A	250 TC	9.00 (229)	6.94 (176)	6.94 (176)	27.18 (690)	9.00 (229)	9.88 (251)	4.50 (114)	5.00 (127)	201 (91)	2" Flange	1/2"
3" 1594	140 TC	9.50 (241)	4.99 (127)	5.77 (147)	25.08 (637)	9.50 (241)	10.86 (276)	2.50 (64)	4.75 (121)	183 (83)	2.5" Flange	1/2"
3" 1594	180 TC	9.50 (241)	4.99 (127)	5.77 (147)	25.08 (637)	9.50 (241)	10.86 (276)	3.00 (76)	4.75 (121)	183 (83)	2.5" Flange	1/2"
3" 1594	210 TC	9.50 (241)	5.50 (140)	5.77 (147)	25.08 (637)	9.50 (241)	10.86 (276)	3.50 (89)	4.75 (121)	183 (83)	2.5" Flange	1/2"
3" 1594	250 TC	9.50 (241)	6.66 (169)	6.66 (169)	28.09 (713)	9.50 (241)	10.86 (276)	4.50 (114)	4.75 (121)	223 (101)	2.5" Flange	1/2"

### NOTES:

- All dimensions are in inches (mm) and may vary ± 1/4(6).
- Not for construction purposes unless certified.
- N/A = Not applicable.
- Conduit box is shown in approximate location. Dimensions are not specified as they vary with each motor manufacturer.
- Suction and discharge flanges - 125# ANSI Standard flat face.
- Optionally available - Suction and discharge flanges - 250# ANSI Standard flat face.
- Dimensions DC & DE are unit's extreme dimensions and not limited to pump casing, and may vary with each motor manufacturer.
- Casing feet tapping - (4) Tapped holes matching 125# ANSI standard flanges.
- BW Minimum - Minimum height needed to remove motor, and then disassemble pump.
- BW Recommended - Height needed to remove motor, motor bracket and impeller as one assembly.

# PENTAIR FAIRBANKS NIJHUIS® MODEL 1590 SPLIT COUPLED PUMPS WITH OPTIONAL SPOOL BASE

## 7" PUMPS

Pump Size	Frame	X	DC <sup>7</sup>	DE <sup>7</sup>	DH	YY	VD	BW		Pump Weight Excluding Motor	Casing Feet Tapping <sup>8</sup>	Drain Tap (NPSF)
								Minimum	Recommended			
3" 1594	280 TC	9.50 (241)	7.84 (199)	7.84 (199)	28.09 (713)	9.50 (241)	10.86 (276)	5.00 (127)	5.00 (127)	223 (101)	2.5" Flange	1/2"
4" 1595A	140 TC	10.50 (267)	5.06 (129)	6.16 (156)	25.64 (651)	10.50 (267)	11.56 (294)	2.50 (64)	4.69 (119)	209 (95)	3" Flange	1/2"
4" 1595A	180 TC	10.50 (267)	5.06 (129)	6.16 (156)	25.64 (651)	10.50 (267)	11.56 (294)	3.00 (76)	4.69 (119)	214 (97)	3" Flange	1/2"
4" 1595A	210 TC	10.50 (267)	5.50 (140)	6.16 (156)	25.64 (651)	10.50 (267)	11.56 (294)	3.50 (89)	4.69 (119)	214 (97)	3" Flange	1/2"
4" 1595A	250 TC	10.50 (267)	6.94 (176)	6.94 (176)	28.65 (728)	10.50 (267)	11.56 (294)	4.50 (114)	4.69 (119)	249 (113)	3" Flange	1/2"
4" 1595A	280 TC	10.50 (267)	7.84 (199)	7.84 (199)	28.65 (728)	10.50 (267)	11.56 (294)	4.75 (121)	4.75 (121)	249 (113)	3" Flange	1/2"
4" 1595A	320 TC	10.50 (267)	8.59 (218)	8.59 (218)	28.65 (728)	10.50 (267)	11.56 (294)	5.50 (140)	5.50 (140)	254 (115)	3" Flange	1/2"
5" 1591A	140 TC	12.00 (305)	5.83 (148)	8.31 (211)	26.69 (678)	13.50 (343)	12.38 (314)	2.50 (64)	4.88 (124)	273 (124)	4" Flange	1/2"
5" 1591A	180 TC	12.00 (305)	5.83 (148)	8.31 (211)	26.69 (678)	13.50 (343)	12.38 (314)	3.00 (76)	4.88 (124)	273 (124)	4" Flange	1/2"
5" 1591A	210 TC	12.00 (305)	5.83 (148)	8.31 (211)	26.69 (678)	13.50 (343)	12.38 (314)	3.50 (89)	4.88 (124)	273 (124)	4" Flange	1/2"
5" 1591A	250 TC	12.00 (305)	6.66 (169)	8.31 (211)	29.70 (754)	13.50 (343)	12.38 (314)	4.50 (114)	4.88 (124)	313 (142)	4" Flange	1/2"
5" 1591A	280 TC	12.00 (305)	7.84 (199)	8.31 (211)	29.70 (754)	13.50 (343)	12.38 (314)	5.00 (127)	5.00 (127)	308 (140)	4" Flange	1/2"
5" 1591A	320 TC	12.00 (305)	8.59 (218)	8.59 (218)	29.70 (754)	13.50 (343)	12.38 (314)	5.50 (140)	5.50 (140)	313 (142)	4" Flange	1/2"
5" 1591A	360 TC	12.00 (305)	10.12 (257)	10.12 (257)	32.02 (813)	13.50 (343)	12.38 (314)	6.50 (165)	6.50 (165)	323 (147)	4" Flange	1/2"
6" 1591A	140 TC	14.00 (356)	6.70 (170)	9.91 (252)	28.37 (721)	14.00 (356)	13.81 (351)	2.50 (64)	5.88 (149)	339 (154)	3" Flange	1/2"
6" 1591A	180 TC	14.00 (356)	6.70 (170)	9.91 (252)	28.37 (721)	14.00 (356)	13.81 (351)	3.00 (76)	5.88 (149)	339 (154)	3" Flange	1/2"
6" 1591A	210 TC	14.00 (356)	6.70 (170)	9.91 (252)	28.37 (721)	14.00 (356)	13.81 (351)	3.50 (89)	5.88 (149)	339 (154)	3" Flange	1/2"
6" 1591A	250 TC	14.00 (356)	6.70 (170)	9.91 (252)	31.38 (797)	14.00 (356)	13.81 (351)	4.50 (114)	5.88 (149)	379 (172)	3" Flange	1/2"
6" 1591A	280 TC	14.00 (356)	7.84 (199)	9.91 (252)	31.38 (797)	14.00 (356)	13.81 (351)	5.00 (127)	5.88 (149)	374 (170)	3" Flange	1/2"
6" 1591A	320 TC	14.00 (356)	8.59 (218)	9.91 (252)	31.38 (797)	14.00 (356)	13.81 (351)	5.50 (140)	5.88 (149)	379 (172)	3" Flange	1/2"
6" 1591A	360 TC	14.00 (356)	10.12 (257)	10.12 (257)	33.70 (856)	14.00 (356)	13.81 (351)	6.50 (165)	6.50 (165)	389 (177)	3" Flange	1/2"

### NOTES:

- All dimensions are in inches (mm) and may vary ± 1/4(6).
- Not for construction purposes unless certified.
- N/A = Not applicable.
- Conduit box is shown in approximate location. Dimensions are not specified as they vary with each motor manufacturer.
- Suction and discharge flanges - 125# ANSI Standard flat face.
- Optionally available - Suction and discharge flanges - 250# ANSI Standard flat face.
- Dimensions DC & DE are unit's extreme dimensions and not limited to pump casing, and may vary with each motor manufacturer.
- Casing feet tapping - (4) Tapped holes matching 125# ANSI standard flanges.
- BW Minimum - Minimum height needed to remove motor, and then disassemble pump.
- BW Recommended - Height needed to remove motor, motor bracket and impeller as one assembly.



# PENTAIR FAIRBANKS NIJHUIS® MODEL 1590 SPLIT COUPLED PUMPS WITH OPTIONAL SPOOL BASE

## TC MOTOR FRAMES

FRAMES		143 TC	145 TC	184 TC	186 TC	213 TC
AG	ODP	12.00 (304)	12.00 (304)	14.00 (356)	14.00 (356)	17.00 (432)
	TEFC	13.00 (330)	13.00 (330)	13.00 (330)	13.00 (330)	21.00 (533)
FRAMES		215 TC	254 TC	256 TC	284 TC	286 TC
AG	ODP	18.00 (457)	22.00 (559)	22.00 (559)	23.00 (584)	23.00 (584)
	TEFC	21.00 (533)	25.00 (635)	25.00 (635)	27.00 (686)	27.00 (686)
FRAMES		324 TC	326 TC	364 TC	365 TC	404 TC
AG	ODP	23.00 (584)	23.00 (584)	25.00 (635)	25.00 (635)	28.00 (711)
	TEFC	28.00 (711)	29.00 (737)	35.00 (889)	35.00 (889)	36.00 (914)
FRAMES		405 TC	444 TC	445 TC	447 TC	449 TC
AG	ODP	28.00 (711)	33.00 (838)	35.00 (889)	38.00 (965)	40.00 (1016)
	TEFC	36.00 (914)	38.00 (965)	38.00 (965)	41.00 (1041)	49.00 (1245)

## 9.5" PUMPS

Pump Size	Frame	X	DC <sup>7</sup>	DE <sup>7</sup>	DH	YY	VD	BW		Pump Weight Excluding Motor	Casing Feet Tapping <sup>8</sup>	Drain Tap (NPSF)
								Minimum	Recommended			
1-1/2" 1592	140 TC	9.50 (241)	6.00 (152)	6.03 (153)	23.32 (592)	9.50 (241)	9.51 (242)	2.50 (64)	4.00 (102)	167 (76)	1.5" Flange	1/2"
1-1/2" 1592	180 TC	9.50 (241)	6.00 (152)	6.03 (153)	23.32 (592)	9.50 (241)	9.51 (242)	3.00 (76)	4.00 (102)	167 (76)	1.5" Flange	1/2"
1-1/2" 1592	210 TC	9.50 (241)	6.00 (152)	6.03 (153)	23.32 (592)	9.50 (241)	9.51 (242)	3.50 (89)	4.00 (102)	167 (76)	1.5" Flange	1/2"
1-1/2" 1592	250 TC	9.50 (241)	6.66 (169)	6.66 (169)	26.39 (670)	9.50 (241)	9.51 (242)	4.50 (114)	4.50 (114)	192 (87)	1.5" Flange	1/2"
1-1/2" 1592	280 TC	9.50 (241)	7.84 (199)	7.84 (199)	26.39 (670)	9.50 (241)	9.51 (242)	5.00 (127)	5.00 (127)	192 (87)	1.5" Flange	1/2"
2-1/2" 1592	180 TC	10.75 (273)	6.00 (152)	6.66 (169)	24.97 (634)	10.75 (273)	10.81 (275)	3.00 (76)	5.00 (127)	214 (97)	3" Flange	1/2"
2-1/2" 1592	210 TC	10.75 (273)	6.00 (152)	6.66 (169)	24.97 (634)	10.75 (273)	10.81 (275)	3.50 (89)	5.00 (127)	214 (97)	3" Flange	1/2"
2-1/2" 1592	250 TC	10.75 (273)	6.66 (169)	6.66 (169)	28.04 (712)	10.75 (273)	10.81 (275)	4.50 (114)	5.00 (127)	239 (109)	3" Flange	1/2"
2-1/2" 1592	280 TC	10.75 (273)	7.84 (199)	7.84 (199)	28.04 (712)	10.75 (273)	10.81 (275)	5.00 (127)	5.00 (127)	239 (109)	3" Flange	1/2"
2-1/2" 1592	320 TC	10.75 (273)	8.60 (218)	8.60 (218)	28.04 (712)	10.75 (273)	10.81 (275)	5.50 (140)	5.50 (140)	239 (109)	3" Flange	1/2"
2-1/2" 1592	360 TC	10.75 (273)	10.12 (257)	10.12 (257)	33.25 (845)	10.75 (273)	10.81 (275)	6.50 (165)	6.50 (165)	299 (136)	3" Flange	1/2"
3" 1595	140 TC	11.50 (292)	6.11 (155)	6.81 (173)	25.19 (640)	11.50 (292)	10.88 (276)	2.50 (64)	5.50 (140)	214 (97)	3" Flange	1/2"
3" 1595	180 TC	11.50 (292)	6.11 (155)	6.81 (173)	25.19 (640)	11.50 (292)	10.88 (276)	3.00 (76)	5.50 (140)	214 (97)	3" Flange	1/2"
3" 1595	210 TC	11.50 (292)	6.11 (155)	6.81 (173)	25.19 (640)	11.50 (292)	10.88 (276)	3.50 (89)	5.50 (140)	214 (97)	3" Flange	1/2"
3" 1595	250 TC	11.50 (292)	6.66 (169)	6.81 (173)	28.26 (718)	11.50 (292)	10.88 (276)	4.50 (114)	5.50 (140)	244 (111)	3" Flange	1/2"
3" 1595	280 TC	11.50 (292)	7.84 (199)	7.84 (199)	28.26 (718)	11.50 (292)	10.88 (276)	5.00 (127)	5.50 (140)	239 (109)	3" Flange	1/2"
3" 1595	320 TC	11.50 (292)	8.60 (218)	8.60 (218)	28.26 (718)	11.50 (292)	10.88 (276)	5.50 (140)	5.50 (140)	244 (111)	3" Flange	1/2"

### NOTES:

- All dimensions are in inches (mm) and may vary ± 1/4(6).
- Not for construction purposes unless certified.
- N/A = Not applicable.
- Conduit box is shown in approximate location. Dimensions are not specified as they vary with each motor manufacturer.
- Suction and discharge flanges - 125# ANSI Standard flat face.
- Optionally available - Suction and discharge flanges - 250# ANSI Standard flat face.
- Dimensions DC & DE are unit's extreme dimensions and not limited to pump casing, and may vary with each motor manufacturer.
- Casing feet tapping - (4) Tapped holes matching 125# ANSI standard flanges.
- BW Minimum - Minimum height needed to remove motor, and then disassemble pump.
- BW Recommended - Height needed to remove motor, motor bracket and impeller as one assembly.

# PENTAIR FAIRBANKS NIJHUIS® MODEL 1590 SPLIT COUPLED PUMPS WITH OPTIONAL SPOOL BASE

## 9.5" PUMPS

Pump Size	Frame	X	DC <sup>7</sup>	DE <sup>7</sup>	DH	YY	VD	BW		Pump Weight Excluding Motor	Casing Feet Tapping <sup>8</sup>	Drain Tap (NPSF)
								Minimum	Recommended			
3" 1595	360 TC	11.50 (292)	10.12 (257)	10.12 (257)	33.47 (850)	11.50 (292)	10.88 (276)	6.50 (165)	6.50 (165)	304 (138)	3" Flange	1/2"
3" 1595	400 TC	11.50 (292)	10.93 (278)	10.93 (278)	33.47 (850)	11.50 (292)	10.88 (276)	7.50 (191)	7.50 (191)	299 (136)	3" Flange	1/2"
4" 1596	140 TC	12.50 (318)	6.58 (167)	7.70 (196)	26.25 (667)	12.50 (318)	12.19 (310)	2.50 (64)	5.63 (143)	249 (113)	3" Flange	1/2"
4" 1596	180 TC	12.50 (318)	6.58 (167)	7.70 (196)	26.25 (667)	12.50 (318)	12.19 (310)	3.00 (76)	5.63 (143)	249 (113)	3" Flange	1/2"
4" 1596	210 TC	12.50 (318)	6.58 (167)	7.70 (196)	26.25 (667)	12.50 (318)	12.19 (310)	3.50 (89)	5.63 (143)	249 (113)	3" Flange	1/2"
4" 1596	250 TC	12.50 (318)	6.66 (169)	7.70 (196)	29.32 (745)	12.50 (318)	12.19 (310)	4.50 (114)	5.63 (143)	279 (127)	3" Flange	1/2"
4" 1596	280 TC	12.50 (318)	7.84 (199)	7.84 (199)	29.32 (745)	12.50 (318)	12.19 (310)	5.00 (127)	5.63 (143)	279 (127)	3" Flange	1/2"
4" 1596	320 TC	12.50 (318)	8.60 (218)	8.60 (218)	29.32 (745)	12.50 (318)	12.19 (310)	5.50 (140)	5.63 (143)	279 (127)	3" Flange	1/2"
4" 1596	360 TC	12.50 (318)	10.12 (257)	10.12 (257)	34.53 (877)	12.50 (318)	12.19 (310)	6.50 (165)	6.50 (165)	339 (154)	3" Flange	1/2"
4" 1596	400 TC	12.50 (318)	10.93 (278)	10.93 (278)	34.53 (877)	12.50 (318)	12.19 (310)	7.50 (191)	7.50 (191)	334 (152)	3" Flange	1/2"
4" 1596	440 TC	12.50 (318)	11.79 (299)	11.79 (299)	34.53 (877)	12.50 (318)	12.19 (310)	8.75 (222)	8.75 (222)	334 (152)	3" Flange	1/2"
5" 1592	140 TC	14.50 (368)	6.79 (172)	9.52 (242)	27.91 (709)	14.50 (368)	13.86 (352)	2.50 (64)	5.50 (140)	343 (156)	4" Flange	1/2"
5" 1592	180 TC	14.50 (368)	6.79 (172)	9.52 (242)	27.91 (709)	14.50 (368)	13.86 (352)	3.00 (76)	5.50 (140)	343 (156)	4" Flange	1/2"
5" 1592	210 TC	14.50 (368)	6.79 (172)	9.52 (242)	27.91 (709)	14.50 (368)	13.86 (352)	3.50 (89)	5.50 (140)	343 (156)	4" Flange	1/2"
5" 1592	250 TC	14.50 (368)	6.79 (172)	9.52 (242)	30.98 (787)	14.50 (368)	13.86 (352)	4.50 (114)	5.50 (140)	373 (169)	4" Flange	1/2"
5" 1592	280 TC	14.50 (368)	7.84 (199)	9.52 (242)	30.98 (787)	14.50 (368)	13.86 (352)	5.00 (127)	5.50 (140)	373 (169)	4" Flange	1/2"
5" 1592	320 TC	14.50 (368)	8.60 (218)	9.52 (242)	30.98 (787)	14.50 (368)	13.86 (352)	5.50 (140)	5.50 (140)	373 (169)	4" Flange	1/2"
5" 1592	360 TC	14.50 (368)	10.12 (257)	10.12 (257)	36.19 (919)	14.50 (368)	13.86 (352)	6.50 (165)	6.50 (165)	433 (196)	4" Flange	1/2"
5" 1592	400 TC	14.50 (368)	10.93 (278)	10.93 (278)	36.19 (919)	14.50 (368)	13.86 (352)	7.50 (191)	7.50 (191)	428 (194)	4" Flange	1/2"
5" 1592	440 TC	14.50 (368)	11.79 (299)	11.79 (299)	36.19 (919)	14.50 (368)	13.86 (352)	8.75 (222)	8.75 (222)	428 (194)	4" Flange	1/2"
6" 1592A	180 TC	16.75 (425)	7.59 (193)	10.70 (272)	30.19 (767)	16.75 (425)	15.75 (400)	3.00 (76)	6.00 (152)	403 (183)	4" Flange	1/2"
6" 1592A	210 TC	16.75 (425)	7.59 (193)	10.70 (272)	30.19 (767)	16.75 (425)	15.75 (400)	3.50 (89)	6.00 (152)	403 (183)	4" Flange	1/2"
6" 1592A	250 TC	16.75 (425)	7.59 (193)	10.70 (272)	33.26 (845)	16.75 (425)	15.75 (400)	4.50 (114)	6.00 (152)	433 (196)	4" Flange	1/2"
6" 1592A	280 TC	16.75 (425)	7.84 (199)	10.70 (272)	33.26 (845)	16.75 (425)	15.75 (400)	5.00 (127)	6.00 (152)	433 (196)	4" Flange	1/2"
8" 1591*	250 TC	18.00 (457)	8.13 (207)	11.63 (295)	33.83 (859)	18.00 (457)	15.85 (403)	4.50 (114)	7.75 (197)	507 (230)	6" Flange	1/2"
8" 1591*	280 TC	18.00 (457)	8.13 (207)	11.63 (295)	33.83 (859)	18.00 (457)	15.85 (403)	5.00 (127)	7.75 (197)	507 (230)	6" Flange	1/2"
8" 1591*	320 TC	18.00 (457)	8.13 (207)	11.63 (295)	33.83 (859)	18.00 (457)	15.85 (403)	5.50 (140)	7.75 (197)	507 (230)	6" Flange	1/2"

\* Temporarily unavailable until further notice.

### NOTES:

- All dimensions are in inches (mm) and may vary ± 1/4 (6).
- Not for construction purposes unless certified.
- N/A = Not applicable.
- Conduit box is shown in approximate location. Dimensions are not specified as they vary with each motor manufacturer.
- Suction and discharge flanges - 125# ANSI Standard flat face.
- Optionally available - Suction and discharge flanges - 250# ANSI Standard flat face.
- Dimensions DC & DE are unit's extreme dimensions and not limited to pump casing, and may vary with each motor manufacturer.
- Casing feet tapping - (4) Tapped holes matching 125# ANSI standard flanges.
- BW Minimum - Minimum height needed to remove motor, and then disassemble pump.
- BW Recommended - Height needed to remove motor, motor bracket and impeller as one assembly.

# PENTAIR FAIRBANKS NIJHUIS® MODEL 1590 SPLIT COUPLED PUMPS WITH OPTIONAL SPOOL BASE

## TC MOTOR FRAMES

FRAMES		143 TC	145 TC	184 TC	186 TC	213 TC
AG	ODP	12.00 (304)	12.00 (304)	14.00 (356)	14.00 (356)	17.00 (432)
	TEFC	13.00 (330)	13.00 (330)	13.00 (330)	13.00 (330)	21.00 (533)
FRAMES		215 TC	254 TC	256 TC	284 TC	286 TC
AG	ODP	18.00 (457)	22.00 (559)	22.00 (559)	23.00 (584)	23.00 (584)
	TEFC	21.00 (533)	25.00 (635)	25.00 (635)	27.00 (686)	27.00 (686)
FRAMES		324 TC	326 TC	364 TC	365 TC	404 TC
AG	ODP	23.00 (584)	23.00 (584)	25.00 (635)	25.00 (635)	28.00 (711)
	TEFC	28.00 (711)	29.00 (737)	35.00 (889)	35.00 (889)	36.00 (914)
FRAMES		405 TC	444 TC	445 TC	447 TC	449 TC
AG	ODP	28.00 (711)	33.00 (838)	35.00 (889)	38.00 (965)	40.00 (1016)
	TEFC	36.00 (914)	38.00 (965)	38.00 (965)	41.00 (1041)	49.00 (1245)

## 11" PUMPS

Pump Size	Frame	X	DC <sup>7</sup>	DE <sup>7</sup>	DH	YY	VD	BW		Pump Weight Excluding Motor	Casing Feet Tapping <sup>8</sup>	Drain Tap (NPSF)
								Minimum	Recommended			
2" 1593	140 TC	11.00 (279)	6.94 (176)	6.94 (176)	23.91 (607)	11.00 (279)	9.88 (251)	2.50 (64)	4.00 (102)	221 (100)	2" Flange	1/2"
2" 1593	180 TC	11.00 (279)	6.94 (176)	6.94 (176)	23.91 (607)	11.00 (279)	9.88 (251)	3.00 (76)	4.00 (102)	221 (100)	2" Flange	1/2"
2" 1593	210 TC	11.00 (279)	6.94 (176)	6.94 (176)	23.91 (607)	11.00 (279)	9.88 (251)	3.50 (89)	4.00 (102)	221 (100)	2" Flange	1/2"
2" 1593	250 TC	11.00 (279)	6.94 (176)	6.94 (176)	27.27 (693)	11.00 (279)	9.88 (251)	4.50 (114)	4.50 (114)	256 (116)	2" Flange	1/2"
2" 1593	280 TC	11.00 (279)	6.94 (176)	7.00 (178)	27.27 (693)	11.00 (279)	9.88 (251)	5.00 (127)	5.00 (127)	256 (116)	2" Flange	1/2"
2" 1593	320 TC	11.00 (279)	8.60 (218)	8.60 (218)	27.27 (693)	11.00 (279)	9.88 (251)	5.50 (140)	5.50 (140)	261 (118)	2" Flange	1/2"
3" 1596A	140 TC	12.50 (318)	6.94 (176)	7.36 (187)	24.83 (631)	11.50 (292)	11.00 (279)	2.50 (64)	6.00 (152)	221 (100)	2" Flange	1/2"
3" 1596A	180 TC	12.50 (318)	6.94 (176)	7.36 (187)	24.83 (631)	11.50 (292)	11.00 (279)	3.00 (76)	6.00 (152)	221 (100)	2" Flange	1/2"
3" 1596A	210 TC	12.50 (318)	6.94 (176)	7.36 (187)	24.83 (631)	11.50 (292)	11.00 (279)	3.50 (89)	6.00 (152)	221 (100)	2" Flange	1/2"
3" 1596A	250 TC	12.50 (318)	6.94 (176)	7.36 (187)	28.08 (713)	11.50 (292)	11.00 (279)	4.50 (114)	6.00 (152)	256 (116)	2" Flange	1/2"
3" 1596A	280 TC	12.50 (318)	6.94 (176)	7.36 (187)	28.08 (713)	11.50 (292)	11.00 (279)	5.00 (127)	6.00 (152)	251 (114)	2" Flange	1/2"
3" 1596A	320 TC	12.50 (318)	8.61 (219)	8.61 (219)	28.08 (713)	11.50 (292)	11.00 (279)	5.50 (140)	6.00 (152)	256 (116)	2" Flange	1/2"
3" 1596A	360 TC	12.50 (318)	10.12 (257)	10.12 (257)	33.13 (842)	11.50 (292)	11.00 (279)	6.50 (165)	6.50 (165)	301 (137)	2" Flange	1/2"
3" 1596A	400 TC	12.50 (318)	10.93 (278)	10.93 (278)	33.13 (842)	11.50 (292)	11.00 (279)	7.50 (191)	7.50 (191)	301 (137)	2" Flange	1/2"
4" 1597	180 TC	14.00 (356)	7.26 (184)	8.45 (215)	26.71 (678)	12.50 (318)	12.88 (327)	3.00 (76)	6.00 (152)	293 (133)	4" Flange	1/2"

### NOTES:

- All dimensions are in inches (mm) and may vary ± 1/4(6).
- Not for construction purposes unless certified.
- N/A = Not applicable.
- Conduit box is shown in approximate location. Dimensions are not specified as they vary with each motor manufacturer.
- Suction and discharge flanges - 125# ANSI Standard flat face.
- Optionally available - Suction and discharge flanges - 250# ANSI Standard flat face.
- Dimensions DC & DE are unit's extreme dimensions and not limited to pump casing, and may vary with each motor manufacturer.
- Casing feet tapping - (4) Tapped holes matching 125# ANSI standard flanges.
- BW Minimum - Minimum height needed to remove motor, and then disassemble pump.
- BW Recommended - Height needed to remove motor, motor bracket and impeller as one assembly.

# PENTAIR FAIRBANKS NIJHUIS® MODEL 1590 SPLIT COUPLED PUMPS WITH OPTIONAL SPOOL BASE

## 11" PUMPS

Pump Size	Frame	X	DC <sup>7</sup>	DE <sup>7</sup>	DH	YY	VD	BW		Pump Weight Excluding Motor	Casing Feet Tapping <sup>8</sup>	Drain Tap (NPSF)
								Minimum	Recommended			
4" 1597	210 TC	14.00 (356)	7.26 (184)	8.45 (215)	26.71 (678)	12.50 (318)	12.88 (327)	3.50 (89)	6.00 (152)	293 (133)	4" Flange	1/2"
4" 1597	250 TC	14.00 (356)	7.26 (184)	8.45 (215)	29.96 (761)	12.50 (318)	12.88 (327)	4.50 (114)	6.00 (152)	323 (147)	4" Flange	1/2"
4" 1597	280 TC	14.00 (356)	7.84 (199)	8.45 (215)	29.96 (761)	12.50 (318)	12.88 (327)	5.00 (127)	6.00 (152)	323 (147)	4" Flange	1/2"
4" 1597	320 TC	14.00 (356)	8.60 (218)	8.60 (218)	29.96 (761)	12.50 (318)	12.88 (327)	5.50 (140)	6.00 (152)	323 (147)	4" Flange	1/2"
4" 1597	360 TC	14.00 (356)	10.12 (257)	10.12 (257)	35.01 (889)	12.50 (318)	12.88 (327)	6.50 (165)	6.50 (165)	373 (169)	4" Flange	1/2"
4" 1597	400 TC	14.00 (356)	10.93 (278)	10.93 (278)	35.01 (889)	12.50 (318)	12.88 (327)	7.50 (191)	7.50 (191)	368 (167)	4" Flange	1/2"
4" 1597	440 TC	14.00 (356)	11.79 (299)	11.79 (299)	35.01 (889)	12.50 (318)	12.88 (327)	8.75 (222)	8.75 (222)	368 (167)	4" Flange	1/2"
5" 1593A	140 TC	14.75 (375)	7.43 (189)	9.70 (246)	27.02 (686)	14.25 (362)	13.13 (334)	2.50 (64)	6.00 (152)	328 (149)	4" Flange	1/2"
5" 1593A	180 TC	14.75 (375)	7.43 (189)	9.70 (246)	27.02 (686)	14.25 (362)	13.13 (334)	3.00 (76)	6.00 (152)	333 (151)	4" Flange	1/2"
5" 1593A	210 TC	14.75 (375)	7.43 (189)	9.70 (246)	27.02 (686)	14.25 (362)	13.13 (334)	3.50 (89)	6.00 (152)	333 (151)	4" Flange	1/2"
5" 1593A	250 TC	14.75 (375)	7.43 (189)	9.70 (246)	30.27 (769)	14.25 (362)	13.13 (334)	4.50 (114)	6.00 (152)	363 (165)	4" Flange	1/2"
5" 1593A	280 TC	14.75 (375)	7.84 (199)	9.70 (246)	30.27 (769)	14.25 (362)	13.13 (334)	5.00 (127)	6.00 (152)	363 (165)	4" Flange	1/2"
5" 1593A	320 TC	14.75 (375)	8.60 (218)	9.70 (246)	30.27 (769)	14.25 (362)	13.13 (334)	5.50 (140)	6.00 (152)	363 (165)	4" Flange	1/2"
5" 1593A	360 TC	14.75 (375)	10.12 (257)	10.12 (257)	35.32 (897)	14.25 (362)	13.13 (334)	6.00 (152)	6.00 (152)	413 (187)	4" Flange	1/2"
5" 1593A	400 TC	14.75 (375)	10.93 (278)	10.93 (278)	35.32 (897)	14.25 (362)	13.13 (334)	7.50 (191)	7.50 (191)	408 (185)	4" Flange	1/2"
5" 1593A	440 TC	14.75 (375)	11.79 (299)	11.79 (299)	35.32 (897)	14.25 (362)	13.13 (334)	8.50 (216)	8.50 (216)	408 (185)	4" Flange	1/2"
6" 1593	140 TC	16.00 (406)	8.04 (204)	10.98 (279)	29.20 (742)	17.00 (432)	15.25 (387)	2.50 (64)	7.00 (178)	402 (182)	6" Flange	1/2"
6" 1593	180 TC	16.00 (406)	8.04 (204)	10.98 (279)	29.20 (742)	17.00 (432)	15.25 (387)	3.00 (76)	7.00 (178)	402 (182)	6" Flange	1/2"
6" 1593	210 TC	16.00 (406)	8.04 (204)	10.98 (279)	29.20 (742)	17.00 (432)	15.25 (387)	3.50 (89)	7.00 (178)	402 (182)	6" Flange	1/2"
6" 1593	250 TC	16.00 (406)	8.04 (204)	10.98 (279)	32.45 (824)	17.00 (432)	15.25 (387)	4.50 (114)	7.00 (178)	437 (198)	6" Flange	1/2"
6" 1593	280 TC	16.00 (406)	8.04 (204)	10.98 (279)	32.45 (824)	17.00 (432)	15.25 (387)	5.00 (127)	7.00 (178)	437 (198)	6" Flange	1/2"
6" 1593	320 TC	16.00 (406)	8.60 (218)	10.98 (279)	32.45 (824)	17.00 (432)	15.25 (387)	5.50 (140)	7.00 (178)	437 (198)	6" Flange	1/2"
6" 1593	360 TC	16.00 (406)	8.60 (218)	10.98 (279)	37.50 (953)	17.00 (432)	15.25 (387)	6.50 (165)	7.00 (178)	482 (219)	6" Flange	1/2"
8" 1592A	210 TC	19.50 (495)	9.06 (230)	13.12 (333)	30.97 (787)	21.50 (546)	16.64 (423)	3.50 (89)	7.00 (178)	522 (237)	6" Flange	1/2"
8" 1592A	250 TC	19.50 (495)	9.06 (230)	13.12 (333)	34.22 (869)	21.50 (546)	16.64 (423)	4.50 (114)	7.00 (178)	557 (253)	6" Flange	1/2"
8" 1592A	280 TC	19.50 (495)	9.06 (230)	13.12 (333)	34.22 (869)	21.50 (546)	16.64 (423)	5.00 (127)	7.00 (178)	557 (253)	6" Flange	1/2"
8" 1592A	320 TC	19.50 (495)	9.06 (230)	13.12 (333)	34.22 (869)	21.50 (546)	16.64 (423)	5.50 (140)	7.00 (178)	557 (253)	6" Flange	1/2"
8" 1592A	360 TC	19.50 (495)	10.12 (257)	13.12 (333)	39.27 (997)	21.50 (546)	16.64 (423)	6.50 (165)	7.00 (178)	602 (273)	6" Flange	1/2"

**NOTES:**

- All dimensions are in inches (mm) and may vary ± 1/4(6).
- Not for construction purposes unless certified.
- N/A = Not applicable.
- Conduit box is shown in approximate location. Dimensions are not specified as they vary with each motor manufacturer.
- Suction and discharge flanges - 125# ANSI Standard flat face.
- Optionally available - Suction and discharge flanges - 250# ANSI Standard flat face.
- Dimensions DC & DE are unit's extreme dimensions and not limited to pump casing, and may vary with each motor manufacturer.
- Casing feet tapping - (4) Tapped holes matching 125# ANSI standard flanges.
- BW Minimum - Minimum height needed to remove motor, and then disassemble pump.
- BW Recommended - Height needed to remove motor, motor bracket and impeller as one assembly.

# PENTAIR FAIRBANKS NIJHUIS® MODEL 1590 SPLIT COUPLED PUMPS WITH OPTIONAL SPOOL BASE

## TC MOTOR FRAMES

FRAMES		143 TC	145 TC	184 TC	186 TC	213 TC
AG	ODP	12.00 (304)	12.00 (304)	14.00 (356)	14.00 (356)	17.00 (432)
	TEFC	13.00 (330)	13.00 (330)	13.00 (330)	13.00 (330)	21.00 (533)
FRAMES		215 TC	254 TC	256 TC	284 TC	286 TC
AG	ODP	18.00 (457)	22.00 (559)	22.00 (559)	23.00 (584)	23.00 (584)
	TEFC	21.00 (533)	25.00 (635)	25.00 (635)	27.00 (686)	27.00 (686)
FRAMES		324 TC	326 TC	364 TC	365 TC	404 TC
AG	ODP	23.00 (584)	23.00 (584)	25.00 (635)	25.00 (635)	28.00 (711)
	TEFC	28.00 (711)	29.00 (737)	35.00 (889)	35.00 (889)	36.00 (914)
FRAMES		405 TC	444 TC	445 TC	447 TC	449 TC
AG	ODP	28.00 (711)	33.00 (838)	35.00 (889)	38.00 (965)	40.00 (1016)
	TEFC	36.00 (914)	38.00 (965)	38.00 (965)	41.00 (1041)	49.00 (1245)

## 13.5" PUMPS

Pump Size	Frame	X	DC <sup>7</sup>	DE <sup>7</sup>	DH	YY	VD	BW		Pump Weight Excluding Motor	Casing Feet Tapping <sup>8</sup>	Drain Tap (NPSF)
								Minimum	Recommended			
3" 1597	140 TC	14.25 (362)	8.52 (216)	9.26 (235)	28.01 (711)	14.25 (362)	13.13 (334)	2.50 (64)	7.50 (191)	353 (160)	4" Flange	1/2"
3" 1597	180 TC	14.25 (362)	8.52 (216)	9.26 (235)	28.01 (711)	14.25 (362)	13.13 (334)	3.00 (76)	7.50 (191)	353 (160)	4" Flange	1/2"
3" 1597	210 TC	14.25 (362)	8.52 (216)	9.26 (235)	28.01 (711)	14.25 (362)	13.13 (334)	3.50 (89)	7.50 (191)	353 (160)	4" Flange	1/2"
3" 1597	250 TC	14.25 (362)	8.52 (216)	9.26 (235)	30.44 (773)	14.25 (362)	13.13 (334)	4.50 (114)	7.50 (191)	383 (174)	4" Flange	1/2"
3" 1597	280 TC	14.25 (362)	8.52 (216)	9.26 (235)	30.44 (773)	14.25 (362)	13.13 (334)	5.00 (127)	7.50 (191)	383 (174)	4" Flange	1/2"
3" 1597	320 TC	14.25 (362)	8.52 (216)	9.26 (235)	30.44 (773)	14.25 (362)	13.13 (334)	5.50 (140)	7.50 (191)	383 (174)	4" Flange	1/2"
4" 1598	180 TC	14.50 (368)	8.72 (221)	9.66 (245)	28.76 (731)	14.50 (368)	13.94 (354)	3.00 (76)	6.50 (165)	358 (162)	4" Flange	1/2"
4" 1598	210 TC	14.50 (368)	8.72 (221)	9.66 (245)	28.76 (731)	14.50 (368)	13.94 (354)	3.50 (89)	6.50 (165)	358 (162)	4" Flange	1/2"
4" 1598	250 TC	14.50 (368)	8.72 (221)	9.66 (245)	31.19 (792)	14.50 (368)	13.94 (354)	4.50 (114)	6.50 (165)	393 (178)	4" Flange	1/2"
4" 1598	280 TC	14.50 (368)	8.72 (221)	9.66 (245)	31.19 (792)	14.50 (368)	13.94 (354)	5.00 (127)	6.50 (165)	393 (178)	4" Flange	1/2"
4" 1598	320 TC	14.50 (368)	8.72 (221)	9.66 (245)	31.19 (792)	14.50 (368)	13.94 (354)	5.50 (140)	6.50 (165)	393 (178)	4" Flange	1/2"
5" 1594	250 TC	16.50 (419)	8.91 (226)	10.02 (255)	31.11 (790)	16.50 (419)	14.23 (361)	4.50 (114)	6.88 (175)	448 (203)	4" Flange	1/2"
5" 1594	280 TC	16.50 (419)	8.91 (226)	10.02 (255)	31.11 (790)	16.50 (419)	14.23 (361)	5.00 (127)	6.88 (175)	448 (203)	4" Flange	1/2"
5" 1594	320 TC	16.50 (419)	8.91 (226)	10.02 (255)	31.11 (790)	16.50 (419)	14.23 (361)	5.50 (140)	6.88 (175)	448 (203)	4" Flange	1/2"
6" 1594	250 TC	19.25 (489)	9.53 (242)	12.63 (321)	33.25 (845)	19.75 (502)	15.88 (403)	4.50 (114)	7.50 (191)	587 (266)	6" Flange	1/2"

### NOTES:

- All dimensions are in inches (mm) and may vary ± 1/4(6).
- Not for construction purposes unless certified.
- N/A = Not applicable.
- Conduit box is shown in approximate location. Dimensions are not specified as they vary with each motor manufacturer.
- Suction and discharge flanges - 125# ANSI Standard flat face.
- Optionally available - Suction and discharge flanges - 250# ANSI Standard flat face.
- Dimensions DC & DE are unit's extreme dimensions and not limited to pump casing, and may vary with each motor manufacturer.
- Casing feet tapping - (4) Tapped holes matching 125# ANSI standard flanges.
- BW Minimum - Minimum height needed to remove motor, and then disassemble pump.
- BW Recommended - Height needed to remove motor, motor bracket and impeller as one assembly.

# PENTAIR FAIRBANKS NIJHUIS® MODEL 1590 SPLIT COUPLED PUMPS WITH OPTIONAL SPOOL BASE

## 13.5" PUMPS

Pump Size	Frame	X	DC <sup>7</sup>	DE <sup>7</sup>	DH	YY	VD	BW		Pump Weight Excluding Motor	Casing Feet Tapping <sup>8</sup>	Drain Tap (NPSF)
								Minimum	Recommended			
6" 1594	280 TC	19.25 (489)	9.53 (242)	12.63 (321)	33.25 (845)	19.75 (502)	15.88 (403)	5.00 (127)	7.50 (191)	587 (266)	6" Flange	1/2"
6" 1594	320 TC	19.25 (489)	9.53 (242)	12.63 (321)	33.25 (845)	19.75 (502)	15.88 (403)	5.50 (140)	7.50 (191)	587 (266)	6" Flange	1/2"
6" 1594	360 TC	19.25 (489)	9.53 (242)	12.63 (321)	38.32 (973)	19.75 (502)	15.88 (403)	6.50 (165)	7.50 (191)	632 (287)	6" Flange	1/2"
8" 1594A	250 TC	21.50 (546)	9.93 (252)	13.74 (349)	34.29 (871)	20.50 (521)	16.96 (431)	4.50 (114)	8.00 (203)	677 (307)	6" Flange	1/2"
8" 1594A	280 TC	21.50 (546)	9.93 (252)	13.74 (349)	34.29 (871)	20.50 (521)	16.96 (431)	5.00 (127)	8.00 (203)	677 (307)	6" Flange	1/2"
8" 1594A	320 TC	21.50 (546)	9.93 (252)	13.74 (349)	34.29 (871)	20.50 (521)	16.96 (431)	5.50 (140)	8.00 (203)	678 (307)	6" Flange	1/2"
8" 1594A	360 TC	21.50 (546)	9.93 (252)	13.74 (349)	39.32 (999)	20.50 (521)	16.96 (431)	6.50 (165)	8.00 (203)	729 (331)	6" Flange	1/2"
8" 1594A	400 TC	21.50 (546)	9.93 (252)	13.74 (349)	39.32 (999)	20.50 (521)	16.96 (431)	7.50 (191)	8.00 (203)	727 (330)	6" Flange	1/2"
8" 1594A	440 TC	21.50 (546)	9.93 (252)	13.74 (349)	39.32 (999)	20.50 (521)	16.96 (431)	8.75 (222)	9.00 (229)	734 (333)	6" Flange	1/2"
10" 1591A	250 TC	23.00 (584)	10.52 (267)	15.67 (398)	35.04 (890)	24.50 (622)	17.88 (454)	4.50 (114)	8.00 (203)	816 (370)	6" Flange	1/2"
10" 1591A	280 TC	23.00 (584)	10.52 (267)	15.67 (398)	35.04 (890)	24.50 (622)	17.88 (454)	5.00 (127)	8.00 (203)	816 (370)	6" Flange	1/2"
10" 1591A	320 TC	23.00 (584)	10.52 (267)	15.67 (398)	35.04 (890)	24.50 (622)	17.88 (454)	5.50 (140)	8.00 (203)	817 (371)	6" Flange	1/2"
10" 1591A	360 TC	23.00 (584)	10.52 (267)	15.67 (398)	40.07 (1018)	24.50 (622)	17.88 (454)	6.50 (165)	8.00 (203)	869 (394)	6" Flange	1/2"
10" 1591A	400 TC	23.00 (584)	10.52 (267)	15.67 (398)	40.07 (1018)	24.50 (622)	17.88 (454)	8.00 (203)	8.00 (203)	867 (393)	6" Flange	1/2"
10" 1591A	440 TC	23.00 (584)	10.52 (267)	15.67 (398)	40.07 (1018)	24.50 (622)	17.88 (454)	9.00 (229)	9.00 (229)	874 (396)	6" Flange	1/2"

### NOTES:

- All dimensions are in inches (mm) and may vary ± 1/4(6).
- Not for construction purposes unless certified.
- N/A = Not applicable.
- Conduit box is shown in approximate location. Dimensions are not specified as they vary with each motor manufacturer.
- Suction and discharge flanges - 125# ANSI Standard flat face.
- Optionally available - Suction and discharge flanges - 250# ANSI Standard flat face.
- Dimensions DC & DE are unit's extreme dimensions and not limited to pump casing, and may vary with each motor manufacturer.
- Casing feet tapping - (4) Tapped holes matching 125# ANSI standard flanges.
- BW Minimum - Minimum height needed to remove motor, and then disassemble pump.
- BW Recommended - Height needed to remove motor, motor bracket and impeller as one assembly.

# PENTAIR FAIRBANKS NIJHUIS® MODEL 1590 SPLIT COUPLED PUMPS WITH OPTIONAL SPOOL BASE

## TC MOTOR FRAMES

FRAMES		286 TC	324 TC	326 TC	364 TC	365 TC	404 TC
AG	ODP	23.00 (584)	23.00 (584)	23.00 (584)	25.00 (635)	25.00 (635)	28.00 (711)
	TEFC	27.00 (686)	28.00 (711)	29.00 (737)	35.00 (889)	35.00 (889)	36.00 (914)
FRAMES		405 TC	444 TC	445 TC	447 TC	449 TC	5010 SD
AG	ODP	28.00 (711)	33.00 (838)	35.00 (889)	38.00 (965)	40.00 (1016)	51.00 (1295)
	TEFC	36.00 (914)	38.00 (965)	38.00 (965)	41.00 (1041)	49.00 (1245)	64.00 (1626)

## 10" 1592 THROUGH 14" 1593

Pump Size	Frame	X	DC <sup>7</sup>	DE <sup>7</sup>	DH	YY	VD	BW		Pump Weight Excluding Motor	Casing Feet Tapping <sup>8</sup>	Drain Tap (NPSF)
								Minimum	Recommended			
10" 1592	320 TC	25.00 (635)	10.61 (269)	14.80 (376)	38.24 (971)	25.00 (635)	16.61 (422)	6.00 (152)	15.00 (381)	1176	8" Flange	1/2 "
10" 1592	360 TC	25.00 (635)	10.61 (269)	14.80 (376)	38.86 (987)	25.00 (635)	16.61 (422)	6.50 (165)	15.00 (381)	1178	8" Flange	1/2 "
10" 1592	400 TC	25.00 (635)	10.61 (269)	14.80 (376)	40.24 (1022)	25.00 (635)	16.61 (422)	8.00 (203)	15.00 (381)	1183	8" Flange	1/2 "
10" 1592	440 TC	25.00 (635)	10.61 (269)	14.80 (376)	41.49 (1054)	25.00 (635)	16.61 (422)	9.00 (229)	15.00 (381)	1196	8" Flange	1/2 "
10" 1594	360 TC	26.00 (660)	13.22 (336)	17.97 (456)	37.65 (956)	26.00 (660)	20.00 (508)	6.50 (165)	9.00 (229)	1160	8" Flange	1/2 "
10" 1594	400 TC	26.00 (660)	13.22 (336)	17.97 (456)	39.03 (991)	26.00 (660)	20.00 (508)	8.00 (203)	9.00 (229)	1165	8" Flange	1/2 "
10" 1594	440 TC	26.00 (660)	13.22 (336)	17.97 (456)	40.28 (1023)	26.00 (660)	20.00 (508)	9.00 (229)	9.00 (229)	1168	8" Flange	1/2 "
10" 1594	5010 SD	26.00 (660)	13.22 (336)	17.97 (456)	37.53 (953)	26.00 (660)	20.00 (508)	6.00 (152)	9.00 (229)	1229	8" Flange	1/2 "
12" 1591	280 TC	25.75 (654)	11.33 (288)	17.09 (434)	44.45 (1129)	25.75 (654)	20.00 (508)	5.00 (127)	20.00 (508)	1471	10" Flange	1/2 "
12" 1591	320 TC	25.75 (654)	11.33 (288)	17.09 (434)	45.08 (1145)	25.75 (654)	20.00 (508)	6.00 (152)	20.00 (508)	1477	10" Flange	1/2 "
12" 1591	360 TC	25.75 (654)	11.33 (288)	17.09 (434)	45.70 (1161)	25.75 (654)	20.00 (508)	6.50 (165)	20.00 (508)	1479	10" Flange	1/2 "
12" 1591	400 TC	25.75 (654)	11.33 (288)	17.09 (434)	47.08 (1196)	25.75 (654)	20.00 (508)	8.00 (203)	20.00 (508)	1484	10" Flange	1/2 "
12" 1591	440 TC	25.75 (654)	11.33 (288)	17.09 (434)	48.33 (1228)	25.75 (654)	20.00 (508)	9.00 (229)	20.00 (508)	1497	10" Flange	1/2 "
12" 1593	360 TC	28.00 (711)	12.84 (326)	18.57 (472)	51.12 (1298)	28.00 (711)	21.94 (557)	6.50 (165)	22.00 (559)	1911	10" Flange	1/2 "
12" 1593	400 TC	28.00 (711)	12.84 (326)	18.57 (472)	52.50 (1334)	28.00 (711)	21.94 (557)	8.00 (203)	22.00 (559)	1916	10" Flange	1/2 "
12" 1593	440 TC	28.00 (711)	12.84 (326)	18.57 (472)	53.75 (1365)	28.00 (711)	21.94 (557)	9.00 (229)	22.00 (559)	1929	10" Flange	1/2 "
12" 1593	5010 SD	28.00 (711)	12.84 (326)	18.57 (472)	51.03 (1296)	28.00 (711)	21.94 (557)	6.00 (152)	22.00 (559)	1980	10" Flange	1/2 "

### NOTES:

- All dimensions are in inches (mm) and may vary ± 1/4(6).
- Not for construction purposes unless certified.
- N/A = Not applicable.
- Conduit box is shown in approximate location. Dimensions are not specified as they vary with each motor manufacturer.
- Suction and discharge flanges - 125# ANSI Standard flat face.
- Optionally available - Suction and discharge flanges - 250# ANSI Standard flat face.
- Dimensions DC & DE are unit's extreme dimensions and not limited to pump casing, and may vary with each motor manufacturer.
- Casing feet tapping - (4) Tapped holes matching 125# ANSI standard flanges.
- BW Minimum - Minimum height needed to remove motor, and then disassemble pump.
- BW Recommended - Height needed to remove motor, motor bracket and impeller as one assembly.

# PENTAIR FAIRBANKS NIJHUIS® MODEL 1590 SPLIT COUPLED PUMPS WITH OPTIONAL SPOOL BASE

## 10" 1592 THROUGH 14" 1593

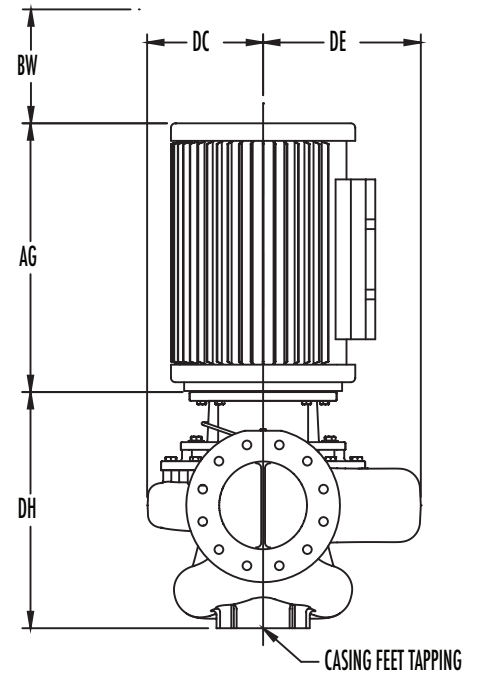
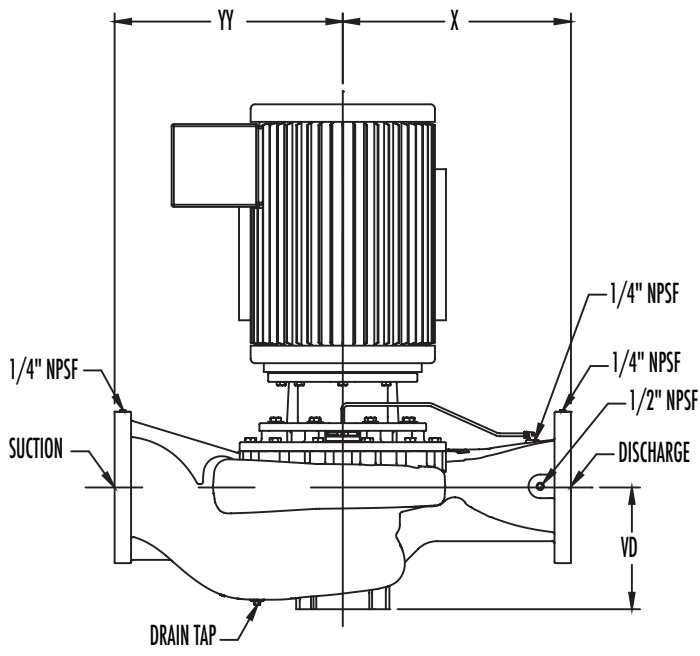
Pump Size	Frame	X	DC <sup>7</sup>	DE <sup>7</sup>	DH	YY	VD	BW		Pump Weight Excluding Motor	Casing Feet Tapping <sup>8</sup>	Drain Tap (NPSF)
								Minimum	Recommended			
14" 1591	320 TC	27.50 (699)	12.93 (328)	19.67 (500)	47.75 (1213)	27.50 (699)	20.94 (532)	6.00 (152)	22.00 (559)	1738	10" Flange	3/4"
14" 1591	360 TC	27.50 (699)	12.93 (328)	19.67 (500)	48.37 (1229)	27.50 (699)	20.94 (532)	6.50 (165)	22.00 (559)	1743	10" Flange	3/4"
14" 1591	400 TC	27.50 (699)	12.93 (328)	19.67 (500)	49.75 (1264)	27.50 (699)	20.94 (532)	8.00 (203)	22.00 (559)	1802	10" Flange	3/4"
14" 1591	440 TC	27.50 (699)	12.93 (328)	19.67 (500)	51.00 (1295)	27.50 (699)	20.94 (532)	9.00 (229)	22.00 (559)	1815	10" Flange	3/4"
14" 1591	5010 SD	27.50 (699)	12.93 (328)	19.67 (500)	48.25 (1226)	27.50 (699)	20.94 (532)	6.00 (152)	22.00 (559)	1850	10" Flange	3/4"
14" 1593	400 TC	31.00 (787)	13.14 (334)	18.34 (466)	49.00 (1245)	31.00 (787)	20.19 (513)	8.00 (203)	20.00 (508)	2043	10" Flange	3/4"
14" 1593	440 TC	31.00 (787)	13.14 (334)	18.34 (466)	50.25 (1276)	31.00 (787)	20.19 (513)	9.00 (229)	20.00 (508)	2054	10" Flange	3/4"
14" 1593	5010 SD	31.00 (787)	13.14 (334)	18.34 (466)	47.50 (1207)	31.00 (787)	20.19 (513)	6.00 (152)	20.00 (508)	2092	10" Flange	3/4"

### NOTES:

- All dimensions are in inches(mm) and may vary ± 1/4(6).
- Not for construction purposes unless certified.
- N/A = Not applicable.
- Conduit box is shown in approximate location. Dimensions are not specified as they vary with each motor manufacturer.
- Suction and discharge flanges - 125# ANSI Standard flat face.
- Optionally available - Suction and discharge flanges - 250# ANSI Standard flat face.
- Dimensions DC & DE are unit's extreme dimensions and not limited to pump casing, and may vary with each motor manufacturer.
- Casing feet tapping - (4) Tapped holes matching 125# ANSI standard flanges.
- BW Minimum - Minimum height needed to remove motor, and then disassemble pump.
- BW Recommended - Height needed to remove motor, motor bracket and impeller as one assembly.



# PENTAIR FAIRBANKS NIJHUIS® MODEL 1590 CLOSE COUPLED PUMPS



# PENTAIR FAIRBANKS NIJHUIS® MODEL 1590 CLOSE COUPLED PUMPS

## JM AND JP MOTOR FRAMES

FRAMES		143 JM	145 JM	182 JM	184 JM	213 JM	215 JM	254 JM
AG	ODP	10.00 (254)	11.00 (279)	12.00 (305)	15.00 (381)	17.00 (432)	17.00 (432)	21.00 (533)
	TEFC	12.00 (305)	13.00 (330)	14.00 (356)	17.00 (432)	19.00 (483)	19.00 (483)	23.00 (584)
FRAMES		256 JM	284 JM	286 JM	324 JM	326 JM	364-365 JP	404-405 JP
AG	ODP	21.00 (533)	22.00 (559)	22.00 (559)	24.00 (610)	24.00 (610)	28.00 (711)	31.00 (787)
	TEFC	23.00 (584)	24.00 (610)	24.00 (610)	26.00 (660)	26.00 (660)	28.00 (711)	31.00 (787)

## 7" PUMPS

Pump Size	Frame	X	DC <sup>7</sup>	DE <sup>7</sup>	DH	YY	VD	BW	Pump Weight Excluding Motor	Casing Feet Tapping <sup>8</sup>	Drain Tap (NPSF)
1-1/2" 1591	140 JM	7.50 (191)	4.56 (116)	4.90 (124)	9.02 (229)	7.50 (191)	4.81 (122)	3.75 (95)	95 (43)	1.5" Flange	1/2"
1-1/2" 1591	180 JM	7.50 (191)	4.78 (121)	4.90 (124)	9.02 (229)	7.50 (191)	4.81 (122)	3.75 (95)	95 (43)	1.5" Flange	1/2"
1-1/2" 1591	210 JM	7.50 (191)	5.50 (140)	5.50 (140)	9.23 (235)	7.50 (191)	4.81 (122)	3.75 (95)	95 (43)	1.5" Flange	1/2"
2" 1592A	140 JM	8.50 (216)	4.56 (116)	5.12 (130)	10.07 (256)	8.50 (216)	5.31 (135)	4.38 (111)	105 (48)	2" Flange	1/2"
2" 1592A	180 JM	8.50 (216)	4.78 (121)	5.12 (130)	10.07 (256)	8.50 (216)	5.31 (135)	4.38 (111)	105 (48)	2" Flange	1/2"
2" 1592A	210 JM	8.50 (216)	5.50 (140)	5.50 (140)	10.28 (261)	8.50 (216)	5.31 (135)	4.38 (111)	105 (48)	2" Flange	1/2"
2" 1592A	250 JM	8.50 (216)	6.69 (170)	6.69 (170)	10.90 (277)	8.50 (216)	5.31 (135)	4.38 (111)	110 (50)	2" Flange	1/2"
2-1/2" 1591A	140 JM	9.00 (229)	4.67 (119)	5.39 (137)	10.74 (273)	9.00 (229)	5.88 (149)	4.75 (121)	120 (54)	2" Flange	1/2"
2-1/2" 1591A	180 JM	9.00 (229)	4.78 (121)	5.39 (137)	10.74 (273)	9.00 (229)	5.88 (149)	4.75 (121)	120 (54)	2" Flange	1/2"
2-1/2" 1591A	210 JM	9.00 (229)	5.50 (140)	5.50 (140)	10.95 (278)	9.00 (229)	5.88 (149)	4.75 (121)	120 (54)	2" Flange	1/2"
2-1/2" 1591A	250 JM	9.00 (229)	6.69 (170)	6.69 (170)	11.57 (294)	9.00 (229)	5.88 (149)	4.75 (121)	125 (57)	2" Flange	1/2"
3" 1594	140 JM	9.50 (241)	4.99 (127)	5.77 (147)	11.77 (299)	9.50 (241)	6.98 (177)	4.75 (121)	135 (61)	2.5" Flange	1/2"
3" 1594	180 JM	9.50 (241)	4.99 (127)	5.77 (147)	11.77 (299)	9.50 (241)	6.98 (177)	4.75 (121)	135 (61)	2.5" Flange	1/2"
3" 1594	210 JM	9.50 (241)	5.50 (140)	5.77 (147)	11.98 (304)	9.50 (241)	6.98 (177)	4.75 (121)	135 (61)	2.5" Flange	1/2"
3" 1594	250 JM	9.50 (241)	6.69 (170)	6.69 (170)	12.60 (320)	9.50 (241)	6.98 (177)	4.75 (121)	140 (64)	2.5" Flange	1/2"
3" 1594	280 JM	9.50 (241)	7.10 (180)	7.10 (180)	12.60 (320)	9.50 (241)	6.98 (177)	4.75 (121)	140 (64)	2.5" Flange	1/2"
4" 1595A	140 JM	10.50 (267)	5.06 (129)	6.17 (157)	12.21 (310)	10.50 (267)	7.56 (192)	5.00 (127)	160 (73)	3" Flange	1/2"
4" 1595A	180 JM	10.50 (267)	5.06 (129)	6.17 (157)	12.21 (310)	10.50 (267)	7.56 (192)	5.00 (127)	160 (73)	3" Flange	1/2"
4" 1595A	210 JM	10.50 (267)	5.50 (140)	6.17 (157)	12.42 (316)	10.50 (267)	7.56 (192)	5.00 (127)	160 (73)	3" Flange	1/2"
4" 1595A	250 JM	10.50 (267)	6.69 (170)	6.69 (170)	13.04 (331)	10.50 (267)	7.56 (192)	5.00 (127)	165 (75)	3" Flange	1/2"

### NOTES:

- All dimensions are in inches (mm) and may vary ± 1/4(6).
- Not for construction purposes unless certified.
- N/A = Not applicable.
- Conduit box is shown in approximate location. Dimensions are not specified as they vary with each motor manufacturer.
- Suction and discharge flanges - 125# ANSI Standard flat face.
- Optionally available - Suction and discharge flanges - 250# ANSI Standard flat face.
- Dimensions DC & DE are unit's extreme dimensions and not limited to pump casing, and may vary with each motor manufacturer.

- Casing feet tapping - (4) Tapped holes matching 125# ANSI standard flanges.
- Dimension BW is clearance required for servicing.

# PENTAIR FAIRBANKS NIJHUIS® MODEL 1590 CLOSE COUPLED PUMPS

## 7" PUMPS

Pump Size	Frame	X	DC <sup>7</sup>	DE <sup>7</sup>	DH	YY	VD	BW	Pump Weight Excluding Motor	Casing Feet Tapping <sup>8</sup>	Drain Tap (NPSF)
4" 1595A	280 JM	10.50 (267)	7.10 (180)	7.10 (180)	13.04 (331)	10.50 (267)	7.56 (192)	5.00 (127)	170 (77)	3" Flange	1/2"
4" 1595A	320 JM	10.50 (267)	8.00 (203)	8.00 (203)	13.04 (331)	10.50 (267)	7.56 (192)	5.00 (127)	170 (77)	3" Flange	1/2"
5" 1591A	140 JM	12.00 (305)	5.84 (148)	8.33 (212)	12.38 (314)	13.50 (343)	7.50 (191)	4.88 (124)	210 (95)	4" Flange	1/2"
5" 1591A	180 JM	12.00 (305)	5.84 (148)	8.33 (212)	12.38 (314)	13.50 (343)	7.50 (191)	4.88 (124)	210 (95)	4" Flange	1/2"
5" 1591A	210 JM	12.00 (305)	5.84 (148)	8.33 (212)	12.59 (320)	13.50 (343)	7.50 (191)	4.88 (124)	210 (95)	4" Flange	1/2"
5" 1591A	250 JM	12.00 (305)	6.69 (170)	8.33 (212)	13.21 (336)	13.50 (343)	7.50 (191)	4.88 (124)	210 (95)	4" Flange	1/2"
5" 1591A	280 JM	12.00 (305)	7.10 (180)	8.33 (212)	13.21 (336)	13.50 (343)	7.50 (191)	4.88 (124)	215 (98)	4" Flange	1/2"
5" 1591A	320 JM	12.00 (305)	8.00 (203)	8.33 (212)	13.21 (336)	13.50 (343)	7.50 (191)	4.88 (124)	215 (98)	4" Flange	1/2"
5" 1591A	360 JP	12.00 (305)	9.00 (229)	9.00 (229)	16.92 (430)	13.50 (343)	7.50 (191)	4.88 (124)	225 (102)	4" Flange	1/2"
6" 1591A	140 JM	14.00 (356)	6.70 (170)	9.91 (252)	14.94 (379)	14.00 (356)	9.81 (249)	5.88 (149)	290 (132)	3" Flange	1/2"
6" 1591A	180 JM	14.00 (356)	6.70 (170)	9.91 (252)	14.94 (379)	14.00 (356)	9.81 (249)	5.88 (149)	290 (132)	3" Flange	1/2"
6" 1591A	210 JM	14.00 (356)	6.70 (170)	9.91 (252)	15.15 (385)	14.00 (356)	9.81 (249)	5.88 (149)	290 (132)	3" Flange	1/2"
6" 1591A	250 JM	14.00 (356)	6.70 (170)	9.91 (252)	15.77 (401)	14.00 (356)	9.81 (249)	5.88 (149)	295 (134)	3" Flange	1/2"
6" 1591A	280 JM	14.00 (356)	7.10 (180)	9.91 (252)	15.77 (401)	14.00 (356)	9.81 (249)	5.88 (149)	295 (134)	3" Flange	1/2"
6" 1591A	320 JM	14.00 (356)	8.00 (203)	9.91 (252)	15.77 (401)	14.00 (356)	9.81 (249)	5.88 (149)	295 (134)	3" Flange	1/2"
6" 1591A	360 JP	14.00 (356)	9.00 (229)	9.91 (252)	19.48 (495)	14.00 (356)	9.81 (249)	5.88 (149)	305 (138)	3" Flange	1/2"

### NOTES:

- All dimensions are in inches(mm) and may vary ± 1/4(6).
- Not for construction purposes unless certified.
- N/A = Not applicable.
- Conduit box is shown in approximate location. Dimensions are not specified as they vary with each motor manufacturer.
- Suction and discharge flanges - 125# ANSI Standard flat face.
- Optionally available - Suction and discharge flanges - 250# ANSI Standard flat face.
- Dimensions DC & DE are unit's extreme dimensions and not limited to pump casing, and may vary with each motor manufacturer.
- Casing feet tapping - (4) Tapped holes matching 125# ANSI standard flanges.
- Dimension BW is clearance required for servicing.

# PENTAIR FAIRBANKS NIJHUIS® MODEL 1590 CLOSE COUPLED PUMPS

## JM AND JP MOTOR FRAMES

FRAMES		143 JM	145 JM	182 JM	184 JM	213 JM	215 JM	254 JM
AG	ODP	10.00 (254)	11.00 (279)	12.00 (305)	15.00 (381)	17.00 (432)	17.00 (432)	21.00 (533)
	TEFC	12.00 (305)	13.00 (330)	14.00 (356)	17.00 (432)	19.00 (483)	19.00 (483)	23.00 (584)
FRAMES		256 JM	284 JM	286 JM	324 JM	326 JM	364-365 JP	404-405 JP
AG	ODP	21.00 (533)	22.00 (559)	22.00 (559)	24.00 (610)	24.00 (610)	28.00 (711)	31.00 (787)
	TEFC	23.00 (584)	24.00 (610)	24.00 (610)	26.00 (660)	26.00 (660)	28.00 (711)	31.00 (787)

## 9.5" PUMPS

Pump Size	Frame	X	DC <sup>7</sup>	DE <sup>7</sup>	DH	YY	VD	BW	Pump Weight Excluding Motor	Casing Feet Tapping <sup>8</sup>	Drain Tap (NPSF)
1-1/2" 1592	140 JM	9.50 (241)	6.00 (152)	6.06 (154)	10.01 (254)	9.50 (241)	5.63 (143)	4.00 (102)	120 (54)	1.5" Flange	1/2"
1-1/2" 1592	180 JM	9.50 (241)	6.00 (152)	6.06 (154)	10.01 (254)	9.50 (241)	5.63 (143)	4.00 (102)	120 (54)	1.5" Flange	1/2"
1-1/2" 1592	210 JM	9.50 (241)	6.00 (152)	6.06 (154)	10.22 (260)	9.50 (241)	5.63 (143)	4.00 (102)	125 (57)	1.5" Flange	1/2"
1-1/2" 1592	250 JM	9.50 (241)	6.69 (170)	6.69 (170)	10.88 (276)	9.50 (241)	5.63 (143)	4.00 (102)	130 (59)	1.5" Flange	1/2"
1-1/2" 1592	280 JM	9.50 (241)	7.10 (180)	7.10 (180)	10.88 (276)	9.50 (241)	5.63 (143)	4.00 (102)	130 (59)	1.5" Flange	1/2"
2-1/2" 1592	180 JM	10.75 (273)	6.00 (152)	6.62 (168)	11.54 (293)	10.75 (273)	6.81 (173)	5.00 (127)	155 (70)	3" Flange	1/2"
2-1/2" 1592	210 JM	10.75 (273)	6.00 (152)	6.62 (168)	11.75 (299)	10.75 (273)	6.81 (173)	5.00 (127)	160 (73)	3" Flange	1/2"
2-1/2" 1592	250 JM	10.75 (273)	6.69 (170)	6.69 (170)	12.41 (315)	10.75 (273)	6.81 (173)	5.00 (127)	165 (75)	3" Flange	1/2"
2-1/2" 1592	280 JM	10.75 (273)	7.10 (180)	7.10 (180)	12.41 (315)	10.75 (273)	6.81 (173)	5.00 (127)	165 (75)	3" Flange	1/2"
2-1/2" 1592	320 JM	10.75 (273)	8.00 (203)	8.00 (203)	12.41 (315)	10.75 (273)	6.81 (173)	5.00 (127)	165 (75)	3" Flange	1/2"
2-1/2" 1592	360 JP	10.75 (273)	9.00 (229)	9.00 (229)	16.42 (417)	10.75 (273)	6.81 (173)	5.00 (127)	175 (79)	3" Flange	1/2"
3" 1595	140 JM	11.50 (292)	6.11 (155)	6.81 (173)	11.76 (299)	11.50 (292)	6.88 (175)	5.50 (140)	165 (75)	3" Flange	1/2"
3" 1595	180 JM	11.50 (292)	6.11 (155)	6.81 (173)	11.76 (299)	11.50 (292)	6.88 (175)	5.50 (140)	165 (75)	3" Flange	1/2"
3" 1595	210 JM	11.50 (292)	6.11 (155)	6.81 (173)	11.97 (304)	11.50 (292)	6.88 (175)	5.50 (140)	165 (75)	3" Flange	1/2"
3" 1595	250 JM	11.50 (292)	6.69 (170)	6.81 (173)	12.63 (321)	11.50 (292)	6.88 (175)	5.50 (140)	170 (77)	3" Flange	1/2"
3" 1595	280 JM	11.50 (292)	7.10 (180)	7.10 (180)	12.63 (321)	11.50 (292)	6.88 (175)	5.50 (140)	175 (79)	3" Flange	1/2"
3" 1595	320 JM	11.50 (292)	8.00 (203)	8.00 (203)	12.63 (321)	11.50 (292)	6.88 (175)	5.50 (140)	175 (79)	3" Flange	1/2"
3" 1595	360 JP	11.50 (292)	9.00 (229)	9.00 (229)	16.64 (423)	11.50 (292)	6.88 (175)	5.50 (140)	180 (82)	3" Flange	1/2"
3" 1595	400 JP	11.50 (292)	10.00 (254)	10.00 (254)	16.64 (423)	11.50 (292)	6.88 (175)	5.50 (140)	180 (82)	3" Flange	1/2"

### NOTES:

- All dimensions are in inches (mm) and may vary ± 1/4(6).
- Not for construction purposes unless certified.
- N/A = Not applicable.
- Conduit box is shown in approximate location. Dimensions are not specified as they vary with each motor manufacturer.
- Suction and discharge flanges - 125# ANSI Standard flat face.
- Optionally available - Suction and discharge flanges - 250# ANSI Standard flat face.
- Dimensions DC & DE are unit's extreme dimensions and not limited to pump casing, and may vary with each motor manufacturer.
- Casing feet tapping - (4) Tapped holes matching 125# ANSI standard flanges.
- Dimension BW is clearance required for servicing.

# PENTAIR FAIRBANKS NIJHUIS® MODEL 1590 CLOSE COUPLED PUMPS

## 9.5" PUMPS

Pump Size	Frame	X	DC <sup>7</sup>	DE <sup>7</sup>	DH	YY	VD	BW	Pump Weight Excluding Motor	Casing Feet Tapping <sup>8</sup>	Drain Tap (NPSF)
4" 1596	140 JM	12.50 (318)	6.58 (167)	7.70 (196)	12.82 (326)	12.50 (318)	8.19 (208)	5.50 (140)	195 (88)	3" Flange	1/2"
4" 1596	180 JM	12.50 (318)	6.58 (167)	7.70 (196)	12.82 (326)	12.50 (318)	8.19 (208)	5.50 (140)	195 (88)	3" Flange	1/2"
4" 1596	210 JM	12.50 (318)	6.58 (167)	7.70 (196)	13.03 (331)	12.50 (318)	8.19 (208)	5.50 (140)	195 (88)	3" Flange	1/2"
4" 1596	250 JM	12.50 (318)	6.58 (167)	7.70 (196)	13.69 (348)	12.50 (318)	8.19 (208)	5.50 (140)	200 (91)	3" Flange	1/2"
4" 1596	280 JM	12.50 (318)	7.10 (180)	7.70 (196)	13.69 (348)	12.50 (318)	8.19 (208)	5.50 (140)	205 (93)	3" Flange	1/2"
4" 1596	320 JM	12.50 (318)	8.00 (203)	8.00 (203)	13.69 (348)	12.50 (318)	8.19 (208)	5.50 (140)	205 (93)	3" Flange	1/2"
4" 1596	360 JP	12.50 (318)	9.00 (229)	9.00 (229)	17.70 (450)	12.50 (318)	8.19 (208)	5.50 (140)	215 (98)	3" Flange	1/2"
4" 1596	400 JP	12.50 (318)	10.00 (254)	10.00 (254)	17.70 (450)	12.50 (318)	8.19 (208)	5.50 (140)	215 (98)	3" Flange	1/2"
5" 1592	140 JM	14.50 (368)	6.79 (172)	9.52 (242)	13.60 (345)	14.50 (368)	8.98 (228)	5.50 (140)	275 (125)	4" Flange	1/2"
5" 1592	180 JM	14.50 (368)	6.79 (172)	9.52 (242)	13.60 (345)	14.50 (368)	8.98 (228)	5.50 (140)	275 (125)	4" Flange	1/2"
5" 1592	210 JM	14.50 (368)	6.79 (172)	9.52 (242)	13.81 (351)	14.50 (368)	8.98 (228)	5.50 (140)	275 (125)	4" Flange	1/2"
5" 1592	250 JM	14.50 (368)	6.79 (172)	9.52 (242)	14.47 (368)	14.50 (368)	8.98 (228)	5.50 (140)	280 (127)	4" Flange	1/2"
5" 1592	280 JM	14.50 (368)	7.10 (180)	9.52 (242)	14.47 (368)	14.50 (368)	8.98 (228)	5.50 (140)	285 (129)	4" Flange	1/2"
5" 1592	320 JM	14.50 (368)	8.00 (203)	9.52 (242)	14.47 (368)	14.50 (368)	8.98 (228)	5.50 (140)	285 (129)	4" Flange	1/2"
5" 1592	360 JP	14.50 (368)	9.00 (229)	9.52 (242)	18.48 (469)	14.50 (368)	8.98 (228)	5.50 (140)	295 (134)	4" Flange	1/2"
5" 1592	400 JP	14.50 (368)	10.00 (254)	10.00 (254)	18.48 (469)	14.50 (368)	8.98 (228)	5.50 (140)	295 (134)	4" Flange	1/2"
6" 1592A	180 JM	16.75 (425)	7.59 (193)	10.69 (272)	15.88 (403)	16.75 (425)	10.87 (276)	6.00 (152)	340 (154)	4" Flange	1/2"
6" 1592A	210 JM	16.75 (425)	7.59 (193)	10.69 (272)	16.09 (409)	16.75 (425)	10.87 (276)	6.00 (152)	340 (154)	4" Flange	1/2"
6" 1592A	250 JM	16.75 (425)	7.59 (193)	10.69 (272)	16.75 (425)	16.75 (425)	10.87 (276)	6.00 (152)	345 (156)	4" Flange	1/2"
6" 1592A	280 JM	16.75 (425)	7.59 (193)	10.69 (272)	16.75 (425)	16.75 (425)	10.87 (276)	6.00 (152)	350 (159)	4" Flange	1/2"
8" 1591*	250 JM	18.00 (457)	8.11 (206)	11.63 (295)	16.72 (425)	18.00 (457)	10.35 (263)	7.75 (197)	395 (179)	6" Flange	1/2"
8" 1591*	280 JM	18.00 (457)	8.11 (206)	11.63 (295)	16.72 (425)	18.00 (457)	10.35 (263)	7.75 (197)	400 (181)	6" Flange	1/2"
8" 1591*	320 JM	18.00 (457)	8.11 (206)	11.63 (295)	16.72 (425)	18.00 (457)	10.35 (263)	7.75 (197)	400 (181)	6" Flange	1/2"

**NOTES:**

- All dimensions are in inches (mm) and may vary ± 1/4(6).
- Not for construction purposes unless certified.
- N/A = Not applicable.
- Conduit box is shown in approximate location. Dimensions are not specified as they vary with each motor manufacturer.
- Suction and discharge flanges - 125# ANSI Standard flat face.
- Optionally available - Suction and discharge flanges - 250# ANSI Standard flat face.
- Dimensions DC & DE are unit's extreme dimensions and not limited to pump casing, and may vary with each motor manufacturer.
- Casing feet tapping - (4) Tapped holes matching 125# ANSI standard flanges.
- Dimension BW is clearance required for servicing.

# PENTAIR FAIRBANKS NIJHUIS® MODEL 1590 CLOSE COUPLED PUMPS

## JM AND JP MOTOR FRAMES

FRAMES		143 JM	145 JM	182 JM	184 JM	213 JM	215 JM	254 JM
AG	ODP	10.00 (254)	11.00 (279)	12.00 (305)	15.00 (381)	17.00 (432)	17.00 (432)	21.00 (533)
	TEFC	12.00 (305)	13.00 (330)	14.00 (356)	17.00 (432)	19.00 (483)	19.00 (483)	23.00 (584)
FRAMES		256 JM	284 JM	286 JM	324 JM	326 JM	364-365 JP	404-405 JP
AG	ODP	21.00 (533)	22.00 (559)	22.00 (559)	24.00 (610)	24.00 (610)	28.00 (711)	31.00 (787)
	TEFC	23.00 (584)	24.00 (610)	24.00 (610)	26.00 (660)	26.00 (660)	28.00 (711)	31.00 (787)

## 11" PUMPS

Pump Size	Frame	X	DC <sup>7</sup>	DE <sup>7</sup>	DH	YY	VD	BW	Pump Weight Excluding Motor	Casing Feet Tapping <sup>8</sup>	Drain Tap (NPSF)
2" 1593	140 JM	11.00 (279)	6.94 (176)	6.94 (176)	10.46 (266)	11.00 (279)	5.88 (149)	3.75 (95)	180 (82)	2" Flange	1/2"
2" 1593	180 JM	11.00 (279)	6.94 (176)	6.94 (176)	10.46 (266)	11.00 (279)	5.88 (149)	3.75 (95)	180 (82)	2" Flange	1/2"
2" 1593	210 JM	11.00 (279)	6.94 (176)	6.94 (176)	10.68 (271)	11.00 (279)	5.88 (149)	3.75 (95)	180 (82)	2" Flange	1/2"
2" 1593	250 JM	11.00 (279)	6.94 (176)	6.94 (176)	11.68 (297)	11.00 (279)	5.88 (149)	3.75 (95)	180 (82)	2" Flange	1/2"
2" 1593	280 JM	11.00 (279)	7.10 (180)	7.10 (180)	11.68 (297)	11.00 (279)	5.88 (149)	3.75 (95)	180 (82)	2" Flange	1/2"
2" 1593	320 JM	11.00 (279)	8.00 (203)	8.00 (203)	11.68 (297)	11.00 (279)	5.88 (149)	3.75 (95)	180 (82)	2" Flange	1/2"
3" 1596A	140 JM	12.50 (318)	6.94 (176)	7.36 (187)	11.38 (289)	11.50 (292)	7.00 (178)	5.75 (146)	185 (84)	2" Flange	1/2"
3" 1596A	180 JM	12.50 (318)	6.94 (176)	7.36 (187)	11.38 (289)	11.50 (292)	7.00 (178)	5.75 (146)	185 (84)	2" Flange	1/2"
3" 1596A	210 JM	12.50 (318)	6.94 (176)	7.36 (187)	11.60 (295)	11.50 (292)	7.00 (178)	5.75 (146)	185 (84)	2" Flange	1/2"
3" 1596A	250 JM	12.50 (318)	6.94 (176)	7.36 (187)	12.47 (317)	11.50 (292)	7.00 (178)	5.75 (146)	185 (84)	2" Flange	1/2"
3" 1596A	280 JM	12.50 (318)	7.10 (180)	7.36 (187)	12.47 (317)	11.50 (292)	7.00 (178)	5.75 (146)	185 (84)	2" Flange	1/2"
3" 1596A	320 JM	12.50 (318)	8.00 (203)	8.00 (203)	12.47 (317)	11.50 (292)	7.00 (178)	5.75 (146)	185 (84)	2" Flange	1/2"
3" 1596A	360 JP	12.50 (318)	9.00 (229)	9.00 (229)	16.29 (414)	11.50 (292)	7.00 (178)	5.75 (146)	195 (88)	2" Flange	1/2"
3" 1596A	400 JP	12.50 (318)	10.00 (254)	10.00 (254)	16.29 (414)	11.50 (292)	7.00 (178)	5.75 (146)	195 (88)	2" Flange	1/2"
4" 1597	180 JM	14.00 (356)	7.26 (185)	8.45 (215)	12.38 (314)	12.50 (318)	8.00 (203)	6.25 (159)	230 (104)	4" Flange	1/2"
4" 1597	210 JM	14.00 (356)	7.26 (185)	8.45 (215)	12.60 (320)	12.50 (318)	8.00 (203)	6.25 (159)	230 (104)	4" Flange	1/2"
4" 1597	250 JM	14.00 (356)	7.26 (185)	8.45 (215)	13.47 (342)	12.50 (318)	8.00 (203)	6.25 (159)	230 (104)	4" Flange	1/2"
4" 1597	280 JM	14.00 (356)	7.26 (185)	8.45 (215)	13.47 (342)	12.50 (318)	8.00 (203)	6.25 (159)	235 (107)	4" Flange	1/2"
4" 1597	320 JM	14.00 (356)	8.00 (203)	8.45 (215)	13.47 (342)	12.50 (318)	8.00 (203)	6.25 (159)	235 (107)	4" Flange	1/2"
4" 1597	360 JP	14.00 (356)	9.00 (229)	9.00 (229)	17.29 (439)	12.50 (318)	8.00 (203)	6.25 (159)	245 (111)	4" Flange	1/2"
4" 1597	400 JP	14.00 (356)	10.00 (254)	10.00 (254)	17.29 (439)	12.50 (318)	8.00 (203)	6.25 (159)	245 (111)	4" Flange	1/2"

### NOTES:

- All dimensions are in inches (mm) and may vary ± 1/4(6).
- Not for construction purposes unless certified.
- N/A = Not applicable.
- Conduit box is shown in approximate location. Dimensions are not specified as they vary with each motor manufacturer.
- Suction and discharge flanges - 125# ANSI Standard flat face.
- Optionally available - Suction and discharge flanges - 250# ANSI Standard flat face.
- Dimensions DC & DE are unit's extreme dimensions and not limited to pump casing, and may vary with each motor manufacturer.
- Casing feet tapping - (4) Tapped holes matching 125# ANSI standard flanges.
- Dimension BW is clearance required for servicing.

# PENTAIR FAIRBANKS NIJHUIS® MODEL 1590 CLOSE COUPLED PUMPS

## 11" PUMPS

Pump Size	Frame	X	DC <sup>7</sup>	DE <sup>7</sup>	DH	YY	VD	BW	Pump Weight Excluding Motor	Casing Feet Tapping <sup>8</sup>	Drain Tap (NPSF)
5" 1593A	140 JM	14.75 (375)	7.43 (189)	9.70 (246)	12.69 (322)	14.25 (362)	8.25 (210)	6.25 (159)	270 (122)	4" Flange	1/2"
5" 1593A	180 JM	14.75 (375)	7.43 (189)	9.70 (246)	12.69 (322)	14.25 (362)	8.25 (210)	6.25 (159)	270 (122)	4" Flange	1/2"
5" 1593A	210 JM	14.75 (375)	7.43 (189)	9.70 (246)	12.91 (328)	14.25 (362)	8.25 (210)	6.25 (159)	270 (122)	4" Flange	1/2"
5" 1593A	250 JM	14.75 (375)	7.43 (189)	9.70 (246)	13.78 (350)	14.25 (362)	8.25 (210)	6.25 (159)	270 (122)	4" Flange	1/2"
5" 1593A	280 JM	14.75 (375)	7.43 (189)	9.70 (246)	13.78 (350)	14.25 (362)	8.25 (210)	6.25 (159)	275 (125)	4" Flange	1/2"
5" 1593A	320 JM	14.75 (375)	8.00 (203)	9.70 (246)	13.78 (350)	14.25 (362)	8.25 (210)	6.25 (159)	275 (125)	4" Flange	1/2"
5" 1593A	360 JP	14.75 (375)	9.00 (229)	9.70 (246)	17.60 (447)	14.25 (362)	8.25 (210)	6.25 (159)	285 (129)	4" Flange	1/2"
5" 1593A	400 JP	14.75 (375)	10.00 (254)	10.00 (254)	17.60 (447)	14.25 (362)	8.25 (210)	6.25 (159)	285 (129)	4" Flange	1/2"
6" 1593	140 JM	16.00 (406)	8.04 (204)	11.00 (279)	14.25 (362)	17.00 (432)	9.75 (248)	7.00 (178)	330 (150)	6" Flange	1/2"
6" 1593	180 JM	16.00 (406)	8.04 (204)	11.00 (279)	14.25 (362)	17.00 (432)	9.75 (248)	7.00 (178)	330 (150)	6" Flange	1/2"
6" 1593	210 JM	16.00 (406)	8.04 (204)	11.00 (279)	14.47 (368)	17.00 (432)	9.75 (248)	7.00 (178)	330 (150)	6" Flange	1/2"
6" 1593	250 JM	16.00 (406)	8.04 (204)	11.00 (279)	15.34 (390)	17.00 (432)	9.75 (248)	7.00 (178)	330 (150)	6" Flange	1/2"
6" 1593	280 JM	16.00 (406)	8.04 (204)	11.00 (279)	15.34 (390)	17.00 (432)	9.75 (248)	7.00 (178)	335 (152)	6" Flange	1/2"
6" 1593	320 JM	16.00 (406)	8.04 (204)	11.00 (279)	15.34 (390)	17.00 (432)	9.75 (248)	7.00 (178)	335 (152)	6" Flange	1/2"
8" 1592A	210 JM	19.50 (495)	9.06 (230)	13.13 (334)	16.24 (412)	21.50 (546)	11.14 (283)	7.25 (184)	450 (204)	6" Flange	1/2"
8" 1592A	250 JM	19.50 (495)	9.06 (230)	13.13 (334)	17.11 (435)	21.50 (546)	11.14 (283)	7.25 (184)	450 (204)	6" Flange	1/2"
8" 1592A	280 JM	19.50 (495)	9.06 (230)	13.13 (334)	17.11 (435)	21.50 (546)	11.14 (283)	7.25 (184)	455 (206)	6" Flange	1/2"
8" 1592A	320 JM	19.50 (495)	9.06 (230)	13.13 (334)	17.11 (435)	21.50 (546)	11.14 (283)	7.25 (184)	455 (206)	6" Flange	1/2"
8" 1592A	360 JP	19.50 (495)	9.06 (230)	13.13 (334)	20.93 (532)	21.50 (546)	11.14 (283)	7.25 (184)	465 (211)	6" Flange	1/2"

**NOTES:**

- All dimensions are in inches(mm) and may vary ± 1/4(6).
- Not for construction purposes unless certified.
- N/A = Not applicable.
- Conduit box is shown in approximate location. Dimensions are not specified as they vary with each motor manufacturer.
- Suction and discharge flanges - 125# ANSI Standard flat face.
- Optionally available - Suction and discharge flanges - 250# ANSI Standard flat face.
- Dimensions DC & DE are unit's extreme dimensions and not limited to pump casing, and may vary with each motor manufacturer.
- Casing feet tapping - (4) Tapped holes matching 125# ANSI standard flanges.
- Dimension BW is clearance required for servicing.

# PENTAIR FAIRBANKS NIJHUIS® MODEL 1590 CLOSE COUPLED PUMPS

## JM AND JP MOTOR FRAMES

FRAMES		143 JM	145 JM	182 JM	184 JM	213 JM	215 JM	254 JM/JP
AG	ODP	10.00 (254)	11.00 (279)	12.00 (305)	15.00 (381)	17.00 (432)	17.00 (432)	21.00 (533)
	TEFC	12.00 (305)	13.00 (330)	14.00 (356)	17.00 (432)	19.00 (483)	19.00 (483)	23.00 (584)
FRAMES		256 JM/JP	284 JM/JP	286 JM/JP	324 JM/JP	326 JM/JP	364-365 JP	404-405 JP
AG	ODP	21.00 (533)	22.00 (559)	22.00 (559)	24.00 (610)	24.00 (610)	28.00 (711)	31.00 (787)
	TEFC	23.00 (584)	24.00 (610)	24.00 (610)	26.00 (660)	26.00 (660)	28.00 (711)	31.00 (787)

## 13.5" PUMPS

Pump Size	Frame	X	DC <sup>7</sup>	DE <sup>7</sup>	DH	YY	VD	BW	Pump Weight Excluding Motor	Casing Feet Tapping <sup>8</sup>	Drain Tap (NPSF)
3" 1597	140 JM	14.25 (362)	8.52 (216)	9.26 (235)	13.69 (348)	14.25 (362)	8.25 (210)	7.50 (191)	285 (129)	4" Flange	1/2"
3" 1597	180 JM	14.25 (362)	8.52 (216)	9.26 (235)	13.69 (348)	14.25 (362)	8.25 (210)	7.50 (191)	285 (129)	4" Flange	1/2"
3" 1597	210 JM	14.25 (362)	8.52 (216)	9.26 (235)	13.91 (353)	14.25 (362)	8.25 (210)	7.50 (191)	285 (129)	4" Flange	1/2"
3" 1597	250 JM	14.25 (362)	8.52 (216)	9.26 (235)	13.91 (353)	14.25 (362)	8.25 (210)	7.50 (191)	280 (127)	4" Flange	1/2"
3" 1597	280 JM	14.25 (362)	8.52 (216)	9.26 (235)	13.91 (353)	14.25 (362)	8.25 (210)	7.50 (191)	285 (129)	4" Flange	1/2"
3" 1597	320 JM	14.25 (362)	8.52 (216)	9.26 (235)	13.91 (353)	14.25 (362)	8.25 (210)	7.50 (191)	285 (129)	4" Flange	1/2"
4" 1598	180 JM	14.50 (368)	8.72 (221)	9.66 (245)	14.44 (367)	14.50 (368)	9.06 (230)	7.00 (178)	290 (132)	4" Flange	1/2"
4" 1598	210 JM	14.50 (368)	8.72 (221)	9.66 (245)	14.66 (372)	14.50 (368)	9.06 (230)	7.00 (178)	290 (132)	4" Flange	1/2"
4" 1598	250 JM	14.50 (368)	8.72 (221)	9.66 (245)	14.66 (372)	14.50 (368)	9.06 (230)	7.00 (178)	290 (132)	4" Flange	1/2"
4" 1598	280 JM	14.50 (368)	8.72 (221)	9.66 (245)	14.66 (372)	14.50 (368)	9.06 (230)	7.00 (178)	295 (134)	4" Flange	1/2"
4" 1598	320 JM	14.50 (368)	8.72 (221)	9.66 (245)	14.66 (372)	14.50 (368)	9.06 (230)	7.00 (178)	295 (134)	4" Flange	1/2"
5" 1594	250 JM	16.50 (419)	8.92 (227)	10.03 (255)	14.58 (370)	16.50 (419)	9.35 (237)	6.75 (171)	345 (156)	4" Flange	1/2"
5" 1594	280 JM	16.50 (419)	8.92 (227)	10.03 (255)	14.58 (370)	16.50 (419)	9.35 (237)	6.75 (171)	350 (159)	4" Flange	1/2"
5" 1594	320 JM	16.50 (419)	8.92 (227)	10.03 (255)	14.58 (370)	16.50 (419)	9.35 (237)	6.75 (171)	350 (159)	4" Flange	1/2"
6" 1594	250 JM	19.25 (489)	9.53 (242)	12.63 (321)	16.10 (409)	19.75 (502)	10.38 (264)	7.50 (191)	470 (213)	6" Flange	1/2"
6" 1594	280 JM	19.25 (489)	9.53 (242)	12.63 (321)	16.10 (409)	19.75 (502)	10.38 (264)	7.50 (191)	475 (215)	6" Flange	1/2"
6" 1594	320 JM	19.25 (489)	9.53 (242)	12.63 (321)	16.10 (409)	19.75 (502)	10.38 (264)	7.50 (191)	475 (215)	6" Flange	1/2"
6" 1594	360 JP	19.25 (489)	9.53 (242)	12.63 (321)	19.94 (506)	19.75 (502)	10.38 (264)	7.50 (191)	500 (227)	6" Flange	1/2"
8" 1594A	250 JP	21.50 (546)	9.93 (252)	13.74 (349)	20.00 (508)	20.50 (521)	11.46 (291)	8.00 (203)	565 (256)	6" Flange	1/2"
8" 1594A	280 JP	21.50 (546)	9.93 (252)	13.74 (349)	19.97 (507)	20.50 (521)	11.46 (291)	8.00 (203)	570 (259)	6" Flange	1/2"

### NOTES:

- All dimensions are in inches (mm) and may vary ± 1/4(6).
- Not for construction purposes unless certified.
- N/A = Not applicable.
- Conduit box is shown in approximate location. Dimensions are not specified as they vary with each motor manufacturer.
- Suction and discharge flanges - 125# ANSI Standard flat face.
- Optionally available - Suction and discharge flanges - 250# ANSI Standard flat face.
- Dimensions DC & DE are unit's extreme dimensions and not limited to pump casing, and may vary with each motor manufacturer.
- Casing feet tapping - (4) Tapped holes matching 125# ANSI standard flanges.
- Dimension BW is clearance required for servicing.



# PENTAIR FAIRBANKS NIJHUIS® MODEL 1590 CLOSE COUPLED PUMPS

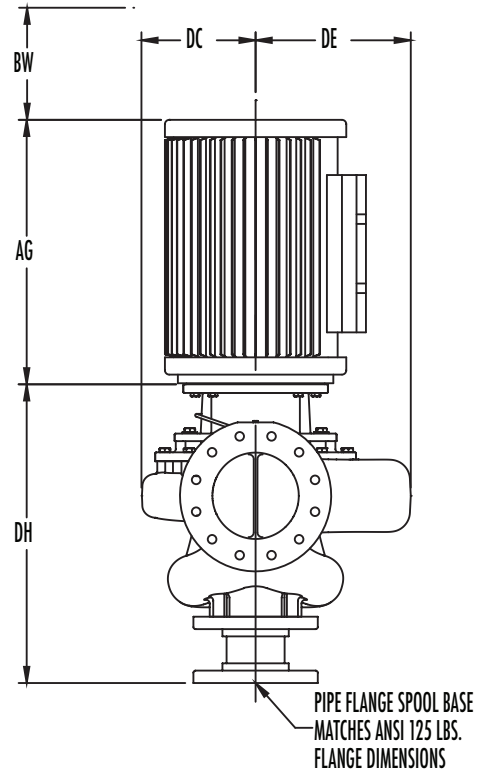
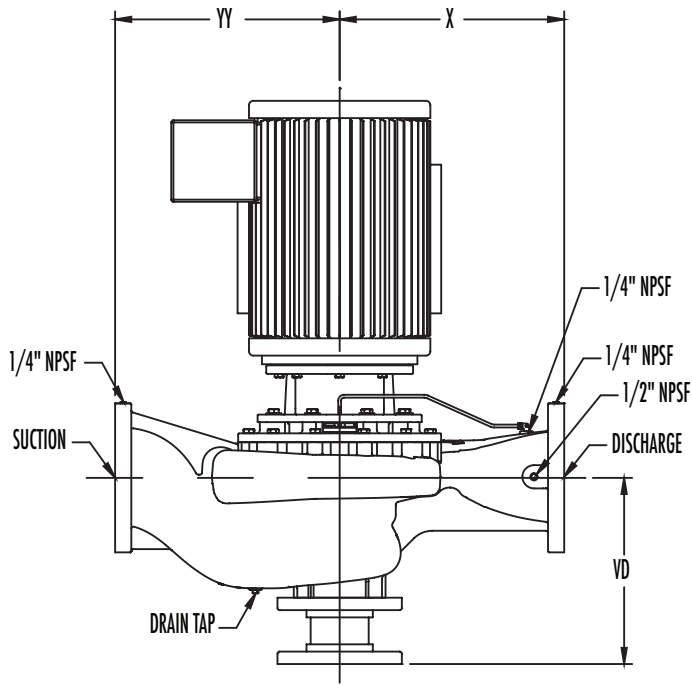
## 13.5" PUMPS

Pump Size	Frame	X	DC <sup>7</sup>	DE <sup>7</sup>	DH	YY	VD	BW	Pump Weight Excluding Motor	Casing Feet Tapping <sup>8</sup>	Drain Tap (NPSF)
8" 1594A	320 JP	21.50 (546)	9.93 (252)	13.74 (349)	19.97 (507)	20.50 (521)	11.46 (291)	8.00 (203)	570 (259)	6" Flange	1/2"
8" 1594A	360 JP	21.50 (546)	9.93 (252)	13.74 (349)	20.97 (533)	20.50 (521)	11.46 (291)	8.00 (203)	570 (259)	6" Flange	1/2"
8" 1594A	400 JP	21.50 (546)	9.93 (252)	13.74 (349)	20.97 (533)	20.50 (521)	11.46 (291)	8.00 (203)	570 (259)	6" Flange	1/2"
10" 1591A	250 JP	23.00 (584)	10.52 (267)	15.67 (398)	20.75 (527)	24.50 (622)	12.38 (314)	8.00 (203)	710 (322)	6" Flange	1/2"
10" 1591A	280 JP	23.00 (584)	10.52 (267)	15.67 (398)	20.72 (526)	24.50 (622)	12.38 (314)	8.00 (203)	715 (324)	6" Flange	1/2"
10" 1591A	320 JP	23.00 (584)	10.52 (267)	15.67 (398)	20.72 (526)	24.50 (622)	12.38 (314)	8.00 (203)	715 (324)	6" Flange	1/2"
10" 1591A	360 JP	23.00 (584)	10.52 (267)	15.67 (398)	21.72 (552)	24.50 (622)	12.38 (314)	8.00 (203)	715 (324)	6" Flange	1/2"
10" 1591A	400 JP	23.00 (584)	10.52 (267)	15.67 (398)	21.72 (552)	24.50 (622)	12.38 (314)	8.00 (203)	715 (324)	6" Flange	1/2"

### NOTES:

- All dimensions are in inches (mm) and may vary ± 1/4(6).
- Not for construction purposes unless certified.
- N/A = Not applicable.
- Conduit box is shown in approximate location. Dimensions are not specified as they vary with each motor manufacturer.
- Suction and discharge flanges - 125# ANSI Standard flat face.
- Optionally available - Suction and discharge flanges - 250# ANSI Standard flat face.
- Dimensions DC & DE are unit's extreme dimensions and not limited to pump casing, and may vary with each motor manufacturer.
- Casing feet tapping - (4) Tapped holes matching 125# ANSI standard flanges.
- Dimension BW is clearance required for servicing.

# PENTAIR FAIRBANKS NIJHUIS® MODEL 1590 CLOSE COUPLED PUMPS WITH OPTIONAL SPOOL BASE



# PENTAIR FAIRBANKS NIJHUIS® MODEL 1590 CLOSE COUPLED PUMPS WITH OPTIONAL SPOOL BASE

## JM AND JP MOTOR FRAMES

FRAMES		143 JM	145 JM	182 JM	184 JM	213 JM	215 JM	254 JM
AG	ODP	10.00 (254)	11.00 (279)	12.00 (305)	15.00 (381)	17.00 (432)	17.00 (432)	21.00 (533)
	TEFC	12.00 (305)	13.00 (330)	14.00 (356)	17.00 (432)	19.00 (483)	19.00 (483)	23.00 (584)
FRAMES		256 JM	284 JM	286 JM	324 JM	326 JM	364-365 JP	404-405 JP
AG	ODP	21.00 (533)	22.00 (559)	22.00 (559)	24.00 (610)	24.00 (610)	28.00 (711)	31.00 (787)
	TEFC	23.00 (584)	24.00 (610)	24.00 (610)	26.00 (660)	26.00 (660)	28.00 (711)	31.00 (787)

## 7" PUMPS

Pump Size	Frame	X	DC <sup>7</sup>	DE <sup>7</sup>	DH	YY	VD	BW	Pump Weight Excluding Motor	Casing Feet Tapping <sup>8</sup>	Drain Tap (NPSF)
1-1/2" 1591	140 JM	7.50 (191)	4.56 (116)	4.90 (124)	12.9 (328)	7.50 (191)	8.69 (221)	3.75 (95)	102 (46)	1.5" Flange	1/2"
1-1/2" 1591	180 JM	7.50 (191)	4.78 (121)	4.90 (124)	12.9 (328)	7.50 (191)	8.69 (221)	3.75 (95)	102 (46)	1.5" Flange	1/2"
1-1/2" 1591	210 JM	7.50 (191)	5.50 (140)	5.50 (140)	13.11 (333)	7.50 (191)	8.69 (221)	3.75 (95)	102 (46)	1.5" Flange	1/2"
2" 1592A	140 JM	8.50 (216)	4.56 (116)	5.12 (130)	14.07 (357)	8.50 (216)	9.31 (237)	4.38 (111)	116 (53)	2" Flange	1/2"
2" 1592A	180 JM	8.50 (216)	4.78 (121)	4.78 (121)	14.07 (357)	8.50 (216)	9.31 (237)	4.38 (111)	116 (53)	2" Flange	1/2"
2" 1592A	210 JM	8.50 (216)	5.50 (140)	5.50 (140)	14.28 (363)	8.50 (216)	9.31 (237)	4.38 (111)	116 (53)	2" Flange	1/2"
2" 1592A	250 JM	8.50 (216)	6.69 (170)	6.69 (170)	14.9 (379)	8.50 (216)	9.31 (237)	4.38 (111)	121 (55)	2" Flange	1/2"
2-1/2" 1591A	140 JM	9.00 (229)	4.67 (119)	5.39 (137)	14.74 (374)	9.00 (229)	9.88 (251)	4.75 (121)	131 (59)	2" Flange	1/2"
2-1/2" 1591A	180 JM	9.00 (229)	4.78 (121)	5.39 (137)	14.74 (374)	9.00 (229)	9.88 (251)	4.75 (121)	131 (59)	2" Flange	1/2"
2-1/2" 1591A	210 JM	9.00 (229)	5.50 (140)	5.50 (140)	14.95 (380)	9.00 (229)	9.88 (251)	4.75 (121)	131 (59)	2" Flange	1/2"
2-1/2" 1591A	250 JM	9.00 (229)	6.69 (170)	6.69 (170)	15.57 (396)	9.00 (229)	9.88 (251)	4.75 (121)	136 (62)	2" Flange	1/2"
3" 1594	140 JM	9.50 (241)	4.99 (127)	5.77 (147)	15.65 (397)	9.50 (241)	10.86 (276)	4.75 (121)	153 (69)	2.5" Flange	1/2"
3" 1594	180 JM	9.50 (241)	4.99 (127)	5.77 (147)	15.65 (397)	9.50 (241)	10.86 (276)	4.75 (121)	153 (69)	2.5" Flange	1/2"
3" 1594	210 JM	9.50 (241)	5.50 (140)	5.77 (147)	15.86 (403)	9.50 (241)	10.86 (276)	4.75 (121)	153 (69)	2.5" Flange	1/2"
3" 1594	250 JM	9.50 (241)	6.69 (170)	6.69 (170)	16.48 (419)	9.50 (241)	10.86 (276)	4.75 (121)	158 (72)	2.5" Flange	1/2"
3" 1594	280 JM	9.50 (241)	7.10 (180)	7.10 (180)	16.48 (419)	9.50 (241)	10.86 (276)	4.75 (121)	158 (72)	2.5" Flange	1/2"
4" 1595A	140 JM	10.50 (267)	5.06 (129)	6.17 (157)	16.21 (412)	10.50 (267)	11.56 (294)	5.00 (127)	179 (81)	3" Flange	1/2"
4" 1595A	180 JM	10.50 (267)	5.06 (129)	6.17 (157)	16.21 (412)	10.50 (267)	11.56 (294)	5.00 (127)	179 (81)	3" Flange	1/2"
4" 1595A	210 JM	10.50 (267)	5.50 (140)	6.17 (157)	16.42 (417)	10.50 (267)	11.56 (294)	5.00 (127)	179 (81)	3" Flange	1/2"

### NOTES:

- All dimensions are in inches (mm) and may vary ± 1/4(6).
- Not for construction purposes unless certified.
- N/A = Not applicable.
- Conduit box is shown in approximate location. Dimensions are not specified as they vary with each motor manufacturer.
- Suction and discharge flanges - 125# ANSI Standard flat face.
- Optionally available - Suction and discharge flanges - 250# ANSI Standard flat face.
- Dimensions DC & DE are unit's extreme dimensions and not limited to pump casing, and may vary with each motor manufacturer.
- Casing feet tapping - (4) Tapped holes matching 125# ANSI standard flanges.
- Dimension BW is clearance required for servicing.

# PENTAIR FAIRBANKS NIJHUIS® MODEL 1590 CLOSE COUPLED PUMPS WITH OPTIONAL SPOOL BASE

## 7" PUMPS

Pump Size	Frame	X	DC <sup>7</sup>	DE <sup>7</sup>	DH	YY	VD	BW	Pump Weight Excluding Motor	Casing Feet Tapping <sup>8</sup>	Drain Tap (NPSF)
4" 1595A	250 JM	10.50 (267)	6.69 (170)	6.69 (170)	17.04 (433)	10.50 (267)	11.56 (294)	5.00 (127)	184 (84)	3" Flange	1/2"
4" 1595A	280 JM	10.50 (267)	7.10 (180)	7.10 (180)	17.04 (433)	10.50 (267)	11.56 (294)	5.00 (127)	189 (86)	3" Flange	1/2"
4" 1595A	320 JM	10.50 (267)	8.00 (203)	8.00 (203)	17.04 (433)	10.50 (267)	11.56 (294)	5.00 (127)	189 (86)	3" Flange	1/2"
5" 1591A	140 JM	12.00 (305)	5.84 (148)	8.33 (212)	17.26 (438)	13.50 (343)	12.38 (314)	4.88 (124)	243 (110)	4" Flange	1/2"
5" 1591A	180 JM	12.00 (305)	5.84 (148)	8.33 (212)	17.26 (438)	13.50 (343)	12.38 (314)	4.88 (124)	243 (110)	4" Flange	1/2"
5" 1591A	210 JM	12.00 (305)	5.84 (148)	8.33 (212)	17.47 (444)	13.50 (343)	12.38 (314)	4.88 (124)	243 (110)	4" Flange	1/2"
5" 1591A	250 JM	12.00 (305)	6.69 (170)	8.33 (212)	18.09 (460)	13.50 (343)	12.38 (314)	4.88 (124)	243 (110)	4" Flange	1/2"
5" 1591A	280 JM	12.00 (305)	7.10 (180)	8.33 (212)	18.09 (460)	13.50 (343)	12.38 (314)	4.88 (124)	248 (113)	4" Flange	1/2"
5" 1591A	320 JM	12.00 (305)	8.00 (203)	8.33 (212)	18.09 (460)	13.50 (343)	12.38 (314)	4.88 (124)	248 (113)	4" Flange	1/2"
5" 1591A	360 JP	12.00 (305)	9.00 (229)	9.00 (229)	21.8 (554)	13.50 (343)	12.38 (314)	4.88 (124)	258 (117)	4" Flange	1/2"
6" 1591A	140 JM	14.00 (356)	6.70 (170)	9.91 (252)	18.94 (481)	14.00 (356)	13.81 (351)	5.88 (149)	309 (140)	3" Flange	1/2"
6" 1591A	180 JM	14.00 (356)	6.70 (170)	9.91 (252)	18.94 (481)	14.00 (356)	13.81 (351)	5.88 (149)	309 (140)	3" Flange	1/2"
6" 1591A	210 JM	14.00 (356)	6.70 (170)	9.91 (252)	19.15 (487)	14.00 (356)	13.81 (351)	5.88 (149)	309 (140)	3" Flange	1/2"
6" 1591A	250 JM	14.00 (356)	6.70 (170)	9.91 (252)	19.77 (502)	14.00 (356)	13.81 (351)	5.88 (149)	314 (143)	3" Flange	1/2"
6" 1591A	280 JM	14.00 (356)	7.10 (180)	9.91 (252)	19.77 (502)	14.00 (356)	13.81 (351)	5.88 (149)	314 (143)	3" Flange	1/2"
6" 1591A	320 JM	14.00 (356)	8.00 (203)	9.91 (252)	19.77 (502)	14.00 (356)	13.81 (351)	5.88 (149)	314 (143)	3" Flange	1/2"
6" 1591A	360 JP	14.00 (356)	9.00 (229)	9.91 (252)	23.48 (596)	14.00 (356)	13.81 (351)	5.88 (149)	324 (147)	3" Flange	1/2"

### NOTES:

- All dimensions are in inches(mm) and may vary ± 1/4(6).
- Not for construction purposes unless certified.
- N/A = Not applicable.
- Conduit box is shown in approximate location. Dimensions are not specified as they vary with each motor manufacturer.
- Suction and discharge flanges - 125# ANSI Standard flat face.
- Optionally available - Suction and discharge flanges - 250# ANSI Standard flat face.
- Dimensions DC & DE are unit's extreme dimensions and not limited to pump casing, and may vary with each motor manufacturer.
- Casing feet tapping - (4) Tapped holes matching 125# ANSI standard flanges.
- Dimension BW is clearance required for servicing.

# PENTAIR FAIRBANKS NIJHUIS® MODEL 1590 CLOSE COUPLED PUMPS WITH OPTIONAL SPOOL BASE

## JM AND JP MOTOR FRAMES

FRAMES		143 JM	145 JM	182 JM	184 JM	213 JM	215 JM	254 JM
AG	ODP	10.00 (254)	11.00 (279)	12.00 (305)	15.00 (381)	17.00 (432)	17.00 (432)	21.00 (533)
	TEFC	12.00 (305)	13.00 (330)	14.00 (356)	17.00 (432)	19.00 (483)	19.00 (483)	23.00 (584)
FRAMES		256 JM	284 JM	286 JM	324 JM	326 JM	364-365 JP	404-405 JP
AG	ODP	21.00 (533)	22.00 (559)	22.00 (559)	24.00 (610)	24.00 (610)	28.00 (711)	31.00 (787)
	TEFC	23.00 (584)	24.00 (610)	24.00 (610)	26.00 (660)	26.00 (660)	28.00 (711)	31.00 (787)

## 9.5" PUMPS

Pump Size	Frame	X	DC <sup>7</sup>	DE <sup>7</sup>	DH	YY	VD	BW	Pump Weight Excluding Motor	Casing Feet Tapping <sup>8</sup>	Drain Tap (NPSF)
1-1/2" 1592	140 JM	9.50 (241)	6.00 (152)	6.06 (154)	13.89 (353)	9.50 (241)	9.51 (242)	4.00 (102)	127 (58)	1.5" Flange	1/2"
1-1/2" 1592	180 JM	9.50 (241)	6.00 (152)	6.06 (154)	13.89 (353)	9.50 (241)	9.51 (242)	4.00 (102)	127 (58)	1.5" Flange	1/2"
1-1/2" 1592	210 JM	9.50 (241)	6.00 (152)	6.06 (154)	14.10 (358)	9.50 (241)	9.51 (242)	4.00 (102)	132 (60)	1.5" Flange	1/2"
1-1/2" 1592	250 JM	9.50 (241)	6.69 (170)	6.69 (170)	14.76 (375)	9.50 (241)	9.51 (242)	4.00 (102)	137 (62)	1.5" Flange	1/2"
1-1/2" 1592	280 JM	9.50 (241)	7.10 (180)	7.10 (180)	14.76 (375)	9.50 (241)	9.51 (242)	4.00 (102)	137 (62)	1.5" Flange	1/2"
2-1/2" 1592	180 JM	10.75 (273)	6.00 (152)	6.62 (168)	15.54 (395)	10.75 (273)	10.81 (275)	5.00 (127)	174 (79)	3" Flange	1/2"
2-1/2" 1592	210 JM	10.75 (273)	6.00 (152)	6.62 (168)	15.75 (400)	10.75 (273)	10.81 (275)	5.00 (127)	179 (81)	3" Flange	1/2"
2-1/2" 1592	250 JM	10.75 (273)	6.69 (170)	6.69 (170)	16.41 (417)	10.75 (273)	10.81 (275)	5.00 (127)	184 (84)	3" Flange	1/2"
2-1/2" 1592	280 JM	10.75 (273)	7.10 (180)	7.10 (180)	16.41 (417)	10.75 (273)	10.81 (275)	5.00 (127)	184 (84)	3" Flange	1/2"
2-1/2" 1592	320 JM	10.75 (273)	8.00 (203)	8.00 (203)	16.41 (417)	10.75 (273)	10.81 (275)	5.00 (127)	184 (84)	3" Flange	1/2"
2-1/2" 1592	360 JP	10.75 (273)	9.00 (229)	9.00 (229)	20.42 (519)	10.75 (273)	10.81 (275)	5.00 (127)	194 (88)	3" Flange	1/2"
3" 1595	140 JM	11.50 (292)	6.11 (155)	6.81 (173)	15.76 (400)	11.50 (292)	10.88 (276)	5.50 (140)	184 (84)	3" Flange	1/2"
3" 1595	180 JM	11.50 (292)	6.11 (155)	6.81 (173)	15.76 (400)	11.50 (292)	10.88 (276)	5.50 (140)	184 (84)	3" Flange	1/2"
3" 1595	210 JM	11.50 (292)	6.11 (155)	6.81 (173)	15.97 (406)	11.50 (292)	10.88 (276)	5.50 (140)	184 (84)	3" Flange	1/2"
3" 1595	250 JM	11.50 (292)	6.69 (170)	6.81 (173)	16.63 (422)	11.50 (292)	10.88 (276)	5.50 (140)	189 (86)	3" Flange	1/2"
3" 1595	280 JM	11.50 (292)	7.10 (180)	7.10 (180)	16.63 (422)	11.50 (292)	10.88 (276)	5.50 (140)	194 (88)	3" Flange	1/2"
3" 1595	320 JM	11.50 (292)	8.00 (203)	8.00 (203)	16.63 (422)	11.50 (292)	10.88 (276)	5.50 (140)	194 (88)	3" Flange	1/2"
3" 1595	360 JP	11.50 (292)	9.00 (229)	9.00 (229)	20.64 (524)	11.50 (292)	10.88 (276)	5.50 (140)	199 (90)	3" Flange	1/2"
3" 1595	400 JP	11.50 (292)	10.00 (254)	10.00 (254)	20.64 (524)	11.50 (292)	10.88 (276)	5.50 (140)	199 (90)	3" Flange	1/2"
4" 1596	140 JM	12.50 (318)	6.58 (167)	7.70 (196)	16.82 (427)	12.50 (318)	12.19 (310)	5.50 (140)	214 (97)	3" Flange	1/2"
4" 1596	180 JM	12.50 (318)	6.58 (167)	7.70 (196)	16.82 (427)	12.50 (318)	12.19 (310)	5.50 (140)	214 (97)	3" Flange	1/2"
4" 1596	210 JM	12.50 (318)	6.58 (167)	7.70 (196)	17.03 (433)	12.50 (318)	12.19 (310)	5.50 (140)	214 (97)	3" Flange	1/2"

### NOTES:

- All dimensions are in inches (mm) and may vary ± 1/4(6).
- Not for construction purposes unless certified.
- N/A = Not applicable.
- Conduit box is shown in approximate location. Dimensions are not specified as they vary with each motor manufacturer.
- Suction and discharge flanges - 125# ANSI Standard flat face.
- Optionally available - Suction and discharge flanges - 250# ANSI Standard flat face.
- Dimensions DC & DE are unit's extreme dimensions and not limited to pump casing, and may vary with each motor manufacturer.
- Casing feet tapping - (4) Tapped holes matching 125# ANSI standard flanges.
- Dimension BW is clearance required for servicing.

# PENTAIR FAIRBANKS NIJHUIS® MODEL 1590 CLOSE COUPLED PUMPS WITH OPTIONAL SPOOL BASE

## 9.5" PUMPS

Pump Size	Frame	X	DC <sup>7</sup>	DE <sup>7</sup>	DH	YY	VD	BW	Pump Weight Excluding Motor	Casing Feet Tapping <sup>8</sup>	Drain Tap (NPSF)
4" 1596	250 JM	12.50 (318)	6.58 (167)	7.70 (196)	17.69 (449)	12.50 (318)	12.19 (310)	5.50 (140)	219 (99)	3" Flange	1/2"
4" 1596	280 JM	12.50 (318)	7.10 (180)	7.70 (196)	17.69 (449)	12.50 (318)	12.19 (310)	5.50 (140)	224 (102)	3" Flange	1/2"
4" 1596	320 JM	12.50 (318)	8.00 (203)	8.00 (203)	17.69 (449)	12.50 (318)	12.19 (310)	5.50 (140)	224 (102)	3" Flange	1/2"
4" 1596	360 JP	12.50 (318)	9.00 (229)	9.00 (229)	21.70 (551)	12.50 (318)	12.19 (310)	5.50 (140)	234 (106)	3" Flange	1/2"
4" 1596	400 JP	12.50 (318)	10.00 (254)	10.00 (254)	21.70 (551)	12.50 (318)	12.19 (310)	5.50 (140)	234 (106)	3" Flange	1/2"
5" 1592	140 JM	14.50 (368)	6.79 (172)	9.52 (242)	18.48 (469)	14.50 (368)	13.86 (352)	5.50 (140)	308 (140)	4" Flange	1/2"
5" 1592	180 JM	14.50 (368)	6.79 (172)	9.52 (242)	18.48 (469)	14.50 (368)	13.86 (352)	5.50 (140)	308 (140)	4" Flange	1/2"
5" 1592	210 JM	14.50 (368)	6.79 (172)	9.52 (242)	18.69 (475)	14.50 (368)	13.86 (352)	5.50 (140)	308 (140)	4" Flange	1/2"
5" 1592	250 JM	14.50 (368)	6.79 (172)	9.52 (242)	19.35 (492)	14.50 (368)	13.86 (352)	5.50 (140)	313 (142)	4" Flange	1/2"
5" 1592	280 JM	14.50 (368)	7.10 (180)	9.52 (242)	19.35 (492)	14.50 (368)	13.86 (352)	5.50 (140)	318 (144)	4" Flange	1/2"
5" 1592	320 JM	14.50 (368)	8.00 (203)	9.52 (242)	19.35 (492)	14.50 (368)	13.86 (352)	5.50 (140)	318 (144)	4" Flange	1/2"
5" 1592	360 JP	14.50 (368)	9.00 (229)	9.52 (242)	23.36 (593)	14.50 (368)	13.86 (352)	5.50 (140)	328 (149)	4" Flange	1/2"
5" 1592	400 JP	14.50 (368)	10.00 (254)	10.00 (254)	23.36 (593)	14.50 (368)	13.86 (352)	5.50 (140)	328 (149)	4" Flange	1/2"
6" 1592A	180 JM	16.75 (425)	7.59 (193)	10.69 (272)	20.76 (527)	16.75 (425)	15.75 (400)	6.00 (152)	373 (169)	4" Flange	1/2"
6" 1592A	210 JM	16.75 (425)	7.59 (193)	10.69 (272)	20.97 (533)	16.75 (425)	15.75 (400)	6.00 (152)	373 (169)	4" Flange	1/2"
6" 1592A	250 JM	16.75 (425)	7.59 (193)	10.69 (272)	21.63 (549)	16.75 (425)	15.75 (400)	6.00 (152)	378 (171)	4" Flange	1/2"
6" 1592A	280 JM	16.75 (425)	7.59 (193)	10.69 (272)	21.63 (549)	16.75 (425)	15.75 (400)	6.00 (152)	383 (174)	4" Flange	1/2"
8" 1591*	250 JM	18.00 (457)	8.11 (206)	11.63 (295)	22.22 (564)	18.00 (457)	15.85 (403)	7.75 (197)	442 (200)	6" Flange	1/2"
8" 1591*	280 JM	18.00 (457)	8.11 (206)	11.63 (295)	22.22 (564)	18.00 (457)	15.85 (403)	7.75 (197)	447 (203)	6" Flange	1/2"
8" 1591*	320 JM	18.00 (457)	8.11 (206)	11.63 (295)	22.22 (564)	18.00 (457)	15.85 (403)	7.75 (197)	447 (203)	6" Flange	1/2"

\* Temporarily unavailable until further notice.

### NOTES:

- All dimensions are in inches (mm) and may vary ± 1/4(6).
- Not for construction purposes unless certified.
- N/A = Not applicable.
- Conduit box is shown in approximate location. Dimensions are not specified as they vary with each motor manufacturer.
- Suction and discharge flanges - 125# ANSI Standard flat face.
- Optionally available - Suction and discharge flanges - 250# ANSI Standard flat face.
- Dimensions DC & DE are unit's extreme dimensions and not limited to pump casing, and may vary with each motor manufacturer.

- Casing feet tapping - (4) Tapped holes matching 125# ANSI standard flanges.
- Dimension BW is clearance required for servicing.

# PENTAIR FAIRBANKS NIJHUIS® MODEL 1590 CLOSE COUPLED PUMPS WITH OPTIONAL SPOOL BASE

## JM AND JP MOTOR FRAMES

FRAMES		143 JM	145 JM	182 JM	184 JM	213 JM	215 JM	254 JM
AG	ODP	10.00 (254)	11.00 (279)	12.00 (305)	15.00 (381)	17.00 (432)	17.00 (432)	21.00 (533)
	TEFC	12.00 (305)	13.00 (330)	14.00 (356)	17.00 (432)	19.00 (483)	19.00 (483)	23.00 (584)
FRAMES		256 JM	284 JM	286 JM	324 JM	326 JM	364-365 JP	404-405 JP
AG	ODP	21.00 (533)	22.00 (559)	22.00 (559)	24.00 (610)	24.00 (610)	28.00 (711)	31.00 (787)
	TEFC	23.00 (584)	24.00 (610)	24.00 (610)	26.00 (660)	26.00 (660)	28.00 (711)	31.00 (787)

## 11" PUMPS

Pump Size	Frame	X	DC <sup>7</sup>	DE <sup>7</sup>	DH	YY	VD	BW	Pump Weight Excluding Motor	Casing Feet Tapping <sup>8</sup>	Drain Tap (NPSF)
2" 1593	140 JM	11.00 (279)	6.94 (176)	6.94 (176)	14.46 (367)	11.00 (279)	9.88 (251)	3.75 (95)	191 (87)	2" Flange	1/2"
2" 1593	180 JM	11.00 (279)	6.94 (176)	6.94 (176)	14.46 (367)	11.00 (279)	9.88 (251)	3.75 (95)	191 (87)	2" Flange	1/2"
2" 1593	210 JM	11.00 (279)	6.94 (176)	6.94 (176)	14.68 (373)	11.00 (279)	9.88 (251)	3.75 (95)	191 (87)	2" Flange	1/2"
2" 1593	250 JM	11.00 (279)	6.94 (176)	6.94 (176)	15.68 (398)	11.00 (279)	9.88 (251)	3.75 (95)	191 (87)	2" Flange	1/2"
2" 1593	280 JM	11.00 (279)	7.10 (180)	7.10 (180)	15.68 (398)	11.00 (279)	9.88 (251)	3.75 (95)	191 (87)	2" Flange	1/2"
2" 1593	320 JM	11.00 (279)	8.00 (203)	8.00 (203)	15.68 (398)	11.00 (279)	9.88 (251)	3.75 (95)	191 (87)	2" Flange	1/2"
3" 1596A	140 JM	12.50 (318)	6.94 (176)	7.36 (187)	15.38 (391)	11.50 (292)	11.00 (279)	5.75 (146)	196 (89)	2" Flange	1/2"
3" 1596A	180 JM	12.50 (318)	6.94 (176)	7.36 (187)	15.38 (391)	11.50 (292)	11.00 (279)	5.75 (146)	196 (89)	2" Flange	1/2"
3" 1596A	210 JM	12.50 (318)	6.94 (176)	7.36 (187)	15.60 (396)	11.50 (292)	11.00 (279)	5.75 (146)	196 (89)	2" Flange	1/2"
3" 1596A	250 JM	12.50 (318)	6.94 (176)	7.36 (187)	16.47 (418)	11.50 (292)	11.00 (279)	5.75 (146)	196 (89)	2" Flange	1/2"
3" 1596A	280 JM	12.50 (318)	7.10 (180)	7.36 (187)	16.47 (418)	11.50 (292)	11.00 (279)	5.75 (146)	196 (89)	2" Flange	1/2"
3" 1596A	320 JM	12.50 (318)	8.00 (203)	8.00 (203)	16.47 (418)	11.50 (292)	11.00 (279)	5.75 (146)	196 (89)	2" Flange	1/2"
3" 1596A	360 JP	12.50 (318)	9.00 (229)	9.00 (229)	20.29 (515)	11.50 (292)	11.00 (279)	5.75 (146)	206 (94)	2" Flange	1/2"
3" 1596A	400 JP	12.50 (318)	10.00 (254)	10.00 (254)	20.29 (515)	11.50 (292)	11.00 (279)	5.75 (146)	206 (94)	2" Flange	1/2"
4" 1597	180 JM	14.00 (356)	7.26 (185)	8.45 (215)	17.26 (438)	12.50 (318)	12.88 (327)	6.25 (159)	263 (119)	4" Flange	1/2"
4" 1597	210 JM	14.00 (356)	7.26 (185)	8.45 (215)	17.48 (444)	12.50 (318)	12.88 (327)	6.25 (159)	263 (119)	4" Flange	1/2"
4" 1597	250 JM	14.00 (356)	7.26 (185)	8.45 (215)	18.35 (466)	12.50 (318)	12.88 (327)	6.25 (159)	263 (119)	4" Flange	1/2"
4" 1597	280 JM	14.00 (356)	7.26 (185)	8.45 (215)	18.35 (466)	12.50 (318)	12.88 (327)	6.25 (159)	268 (122)	4" Flange	1/2"
4" 1597	320 JM	14.00 (356)	8.00 (203)	8.45 (215)	18.35 (466)	12.50 (318)	12.88 (327)	6.25 (159)	268 (122)	4" Flange	1/2"
4" 1597	360 JP	14.00 (356)	9.00 (229)	9.00 (229)	22.17 (563)	12.50 (318)	12.88 (327)	6.25 (159)	278 (126)	4" Flange	1/2"

### NOTES:

- All dimensions are in inches (mm) and may vary ± 1/4(6).
- Not for construction purposes unless certified.
- N/A = Not applicable.
- Conduit box is shown in approximate location. Dimensions are not specified as they vary with each motor manufacturer.
- Suction and discharge flanges - 125# ANSI Standard flat face.
- Optionally available - Suction and discharge flanges - 250# ANSI Standard flat face.
- Dimensions DC & DE are unit's extreme dimensions and not limited to pump casing, and may vary with each motor manufacturer.
- Casing feet tapping - (4) Tapped holes matching 125# ANSI standard flanges.
- Dimension BW is clearance required for servicing.

# PENTAIR FAIRBANKS NIJHUIS® MODEL 1590 CLOSE COUPLED PUMPS WITH OPTIONAL SPOOL BASE

## 11" PUMPS

Pump Size	Frame	X	DC <sup>7</sup>	DE <sup>7</sup>	DH	YY	VD	BW	Pump Weight Excluding Motor	Casing Feet Tapping <sup>8</sup>	Drain Tap (NPSF)
4" 1597	400 JP	14.00 (356)	10.00 (254)	10.00 (254)	22.17 (563)	12.50 (318)	12.88 (327)	6.25 (159)	278 (126)	4" Flange	1/2"
5" 1593A	140 JM	14.75 (375)	7.43 (189)	9.70 (246)	17.57 (446)	14.25 (362)	13.13 (334)	6.25 (159)	333 (151)	4" Flange	1/2"
5" 1593A	180 JM	14.75 (375)	7.43 (189)	9.70 (246)	17.57 (446)	14.25 (362)	13.13 (334)	6.25 (159)	333 (151)	4" Flange	1/2"
5" 1593A	210 JM	14.75 (375)	7.43 (189)	9.70 (246)	17.79 (452)	14.25 (362)	13.13 (334)	6.25 (159)	333 (151)	4" Flange	1/2"
5" 1593A	250 JM	14.75 (375)	7.43 (189)	9.70 (246)	18.66 (474)	14.25 (362)	13.13 (334)	6.25 (159)	333 (151)	4" Flange	1/2"
5" 1593A	280 JM	14.75 (375)	7.43 (189)	9.70 (246)	18.66 (474)	14.25 (362)	13.13 (334)	6.25 (159)	338 (153)	4" Flange	1/2"
5" 1593A	320 JM	14.75 (375)	8.00 (203)	9.70 (246)	18.66 (474)	14.25 (362)	13.13 (334)	6.25 (159)	338 (153)	4" Flange	1/2"
5" 1593A	360 JP	14.75 (375)	9.00 (229)	9.70 (246)	22.48 (571)	14.25 (362)	13.13 (334)	6.25 (159)	348 (158)	4" Flange	1/2"
5" 1593A	400 JP	14.75 (375)	10.00 (254)	10.00 (254)	22.48 (571)	14.25 (362)	13.13 (334)	6.25 (159)	348 (158)	4" Flange	1/2"
6" 1593	140 JM	16.00 (406)	8.04 (204)	11.00 (279)	19.75 (502)	17.00 (432)	15.25 (387)	7.00 (178)	422 (191)	6" Flange	1/2"
6" 1593	180 JM	16.00 (406)	8.04 (204)	11.00 (279)	19.75 (502)	17.00 (432)	15.25 (387)	7.00 (178)	422 (191)	6" Flange	1/2"
6" 1593	210 JM	16.00 (406)	8.04 (204)	11.00 (279)	19.97 (507)	17.00 (432)	15.25 (387)	7.00 (178)	422 (191)	6" Flange	1/2"
6" 1593	250 JM	16.00 (406)	8.04 (204)	11.00 (279)	20.84 (529)	17.00 (432)	15.25 (387)	7.00 (178)	422 (191)	6" Flange	1/2"
6" 1593	280 JM	16.00 (406)	8.04 (204)	11.00 (279)	20.84 (529)	17.00 (432)	15.25 (387)	7.00 (178)	427 (194)	6" Flange	1/2"
6" 1593	320 JM	16.00 (406)	8.04 (204)	11.00 (279)	20.84 (529)	17.00 (432)	15.25 (387)	7.00 (178)	427 (194)	6" Flange	1/2"
8" 1592A	210 JM	19.50 (495)	9.06 (230)	13.13 (334)	21.74 (552)	21.50 (546)	16.64 (423)	7.25 (184)	562 (255)	6" Flange	1/2"
8" 1592A	250 JM	19.50 (495)	9.06 (230)	13.13 (334)	22.61 (574)	21.50 (546)	16.64 (423)	7.25 (184)	562 (255)	6" Flange	1/2"
8" 1592A	280 JM	19.50 (495)	9.06 (230)	13.13 (334)	22.61 (574)	21.50 (546)	16.64 (423)	7.25 (184)	567 (257)	6" Flange	1/2"
8" 1592A	320 JM	19.50 (495)	9.06 (230)	13.13 (334)	22.61 (574)	21.50 (546)	16.64 (423)	7.25 (184)	567 (257)	6" Flange	1/2"
8" 1592A	360 JP	19.50 (495)	9.06 (230)	13.13 (334)	26.43 (671)	21.50 (546)	16.64 (423)	7.25 (184)	577 (262)	6" Flange	1/2"

### NOTES:

- All dimensions are in inches(mm) and may vary ± 1/4(6).
- Not for construction purposes unless certified.
- N/A = Not applicable.
- Conduit box is shown in approximate location. Dimensions are not specified as they vary with each motor manufacturer.
- Suction and discharge flanges - 125# ANSI Standard flat face.
- Optionally available - Suction and discharge flanges - 250# ANSI Standard flat face.
- Dimensions DC & DE are unit's extreme dimensions and not limited to pump casing, and may vary with each motor manufacturer.
- Casing feet tapping - (4) Tapped holes matching 125# ANSI standard flanges.
- Dimension BW is clearance required for servicing.



# PENTAIR FAIRBANKS NIJHUIS® MODEL 1590 CLOSE COUPLED PUMPS WITH OPTIONAL SPOOL BASE

## JM AND JP MOTOR FRAMES

FRAMES		143 JM	145 JM	182 JM	184 JM	213 JM	215 JM	254 JM/JP
AG	ODP	10.00 (254)	11.00 (279)	12.00 (305)	15.00 (381)	17.00 (432)	17.00 (432)	21.00 (533)
	TEFC	12.00 (305)	13.00 (330)	14.00 (356)	17.00 (432)	19.00 (483)	19.00 (483)	23.00 (584)
FRAMES		256 JM/JP	284 JM/JP	286 JM/JP	324 JM/JP	326 JM/JP	364-365 JP	404-405 JP
AG	ODP	21.00 (533)	22.00 (559)	22.00 (559)	24.00 (610)	24.00 (610)	28.00 (711)	31.00 (787)
	TEFC	23.00 (584)	24.00 (610)	24.00 (610)	26.00 (660)	26.00 (660)	28.00 (711)	31.00 (787)

## 13.5" PUMPS

Pump Size	Frame	X	DC <sup>7</sup>	DE <sup>7</sup>	DH	YY	VD	BW	Pump Weight Excluding Motor	Casing Feet Tapping <sup>8</sup>	Drain Tap (NPSF)
3" 1597	140 JM	14.25 (362)	8.52 (216)	9.26 (235)	18.57 (472)	14.25 (362)	13.13 (334)	7.50 (191)	318 (144)	4" Flange	1/2"
3" 1597	180 JM	14.25 (362)	8.52 (216)	9.26 (235)	18.57 (472)	14.25 (362)	13.13 (334)	7.50 (191)	318 (144)	4" Flange	1/2"
3" 1597	210 JM	14.25 (362)	8.52 (216)	9.26 (235)	18.79 (477)	14.25 (362)	13.13 (334)	7.50 (191)	318 (144)	4" Flange	1/2"
3" 1597	250 JM	14.25 (362)	8.52 (216)	9.26 (235)	18.79 (477)	14.25 (362)	13.13 (334)	7.50 (191)	313 (142)	4" Flange	1/2"
3" 1597	280 JM	14.25 (362)	8.52 (216)	9.26 (235)	18.79 (477)	14.25 (362)	13.13 (334)	7.50 (191)	318 (144)	4" Flange	1/2"
3" 1597	320 JM	14.25 (362)	8.52 (216)	9.26 (235)	18.79 (477)	14.25 (362)	13.13 (334)	7.50 (191)	318 (144)	4" Flange	1/2"
4" 1598	180 JM	14.50 (368)	8.72 (221)	9.66 (245)	19.32 (491)	14.50 (368)	13.94 (354)	7.00 (178)	323 (147)	4" Flange	1/2"
4" 1598	210 JM	14.50 (368)	8.72 (221)	9.66 (245)	19.54 (496)	14.50 (368)	13.94 (354)	7.00 (178)	323 (147)	4" Flange	1/2"
4" 1598	250 JM	14.50 (368)	8.72 (221)	9.66 (245)	19.54 (496)	14.50 (368)	13.94 (354)	7.00 (178)	323 (147)	4" Flange	1/2"
4" 1598	280 JM	14.50 (368)	8.72 (221)	9.66 (245)	19.54 (496)	14.50 (368)	13.94 (354)	7.00 (178)	328 (149)	4" Flange	1/2"
4" 1598	320 JM	14.50 (368)	8.72 (221)	9.66 (245)	19.54 (496)	14.50 (368)	13.94 (354)	7.00 (178)	328 (149)	4" Flange	1/2"
5" 1594	250 JM	16.50 (419)	8.92 (227)	10.03 (255)	19.46 (494)	16.50 (419)	14.23 (361)	6.75 (171)	378 (171)	4" Flange	1/2"
5" 1594	280 JM	16.50 (419)	8.92 (227)	10.03 (255)	19.46 (494)	16.50 (419)	14.23 (361)	6.75 (171)	383 (174)	4" Flange	1/2"
5" 1594	320 JM	16.50 (419)	8.92 (227)	10.03 (255)	19.46 (494)	16.50 (419)	14.23 (361)	6.75 (171)	383 (174)	4" Flange	1/2"
6" 1594	250 JM	19.25 (489)	9.53 (242)	12.63 (321)	21.60 (549)	19.75 (502)	15.88 (403)	7.50 (191)	517 (234)	6" Flange	1/2"
6" 1594	280 JM	19.25 (489)	9.53 (242)	12.63 (321)	21.60 (549)	19.75 (502)	15.88 (403)	7.50 (191)	522 (237)	6" Flange	1/2"
6" 1594	320 JM	19.25 (489)	9.53 (242)	12.63 (321)	21.60 (549)	19.75 (502)	15.88 (403)	7.50 (191)	522 (237)	6" Flange	1/2"
6" 1594	360 JP	19.25 (489)	9.53 (242)	12.63 (321)	25.44 (646)	19.75 (502)	15.88 (403)	7.50 (191)	547 (248)	6" Flange	1/2"
8" 1594A	250 JP	21.50 (546)	9.93 (252)	13.74 (349)	25.50 (648)	20.50 (521)	16.96 (431)	8.00 (203)	612 (278)	6" Flange	1/2"
8" 1594A	280 JP	21.50 (546)	9.93 (252)	13.74 (349)	25.47 (647)	20.50 (521)	16.96 (431)	8.00 (203)	617 (280)	6" Flange	1/2"
8" 1594A	320 JP	21.50 (546)	9.93 (252)	13.74 (349)	25.47 (647)	20.50 (521)	16.96 (431)	8.00 (203)	617 (280)	6" Flange	1/2"

### NOTES:

- All dimensions are in inches (mm) and may vary ± 1/4(6).
- Not for construction purposes unless certified.
- N/A = Not applicable.
- Conduit box is shown in approximate location. Dimensions are not specified as they vary with each motor manufacturer.
- Suction and discharge flanges - 125# ANSI Standard flat face.
- Optionally available - Suction and discharge flanges - 250# ANSI Standard flat face.
- Dimensions DC & DE are unit's extreme dimensions and not limited to pump casing, and may vary with each motor manufacturer.
- Casing feet tapping - (4) Tapped holes matching 125# ANSI standard flanges.
- Dimension BW is clearance required for servicing.

# PENTAIR FAIRBANKS NIJHUIS® MODEL 1590 CLOSE COUPLED PUMPS WITH OPTIONAL SPOOL BASE

## 13.5" PUMPS

Pump Size	Frame	X	DC <sup>7</sup>	DE <sup>7</sup>	DH	YY	VD	BW	Pump Weight Excluding Motor	Casing Feet Tapping <sup>8</sup>	Drain Tap (NPSF)
8" 1594A	360 JP	21.50 (546)	9.93 (252)	13.74 (349)	26.47 (672)	20.50 (521)	16.96 (431)	8.00 (203)	617 (280)	6" Flange	1/2"
8" 1594A	400 JP	21.50 (546)	9.93 (252)	13.74 (349)	26.47 (672)	20.50 (521)	16.96 (431)	8.00 (203)	617 (280)	6" Flange	1/2"
10" 1591A	250 JP	23.00 (584)	10.52 (267)	15.67 (398)	26.25 (667)	24.50 (622)	17.88 (454)	8.00 (203)	757 (343)	6" Flange	1/2"
10" 1591A	280 JP	23.00 (584)	10.52 (267)	15.67 (398)	26.22 (666)	24.50 (622)	17.88 (454)	8.00 (203)	762 (346)	6" Flange	1/2"
10" 1591A	320 JP	23.00 (584)	10.52 (267)	15.67 (398)	26.22 (666)	24.50 (622)	17.88 (454)	8.00 (203)	762 (346)	6" Flange	1/2"
10" 1591A	360 JP	23.00 (584)	10.52 (267)	15.67 (398)	27.22 (691)	24.50 (622)	17.88 (454)	8.00 (203)	762 (346)	6" Flange	1/2"
10" 1591A	400 JP	23.00 (584)	10.52 (267)	15.67 (398)	27.22 (691)	24.50 (622)	17.88 (454)	8.00 (203)	762 (346)	6" Flange	1/2"

### NOTES:

- All dimensions are in inches (mm) and may vary  $\pm 1/4(6)$ .
- Not for construction purposes unless certified.
- N/A = Not applicable.
- Conduit box is shown in approximate location. Dimensions are not specified as they vary with each motor manufacturer.
- Suction and discharge flanges - 125# ANSI Standard flat face.
- Optionally available - Suction and discharge flanges - 250# ANSI Standard flat face.
- Dimensions DC & DE are unit's extreme dimensions and not limited to pump casing, and may vary with each motor manufacturer.
- Casing feet tapping - (4) Tapped holes matching 125# ANSI standard flanges.
- Dimension BW is clearance required for servicing.



800 Airport Road | North Aurora, Illinois 60542 | Ph: 630.859.7000 | [pentair.com](http://pentair.com)

All indicated Pentair trademarks and logos are property of Pentair. Third party registered and unregistered trademarks and logos are the property of their respective owners. Because we are continuously improving our products and services, Pentair reserves the right to change specifications without prior notice. Pentair is an equal opportunity employer.

FN12986 (02/27/20) ©2020 Pentair. All Rights Reserved.