

## 1900 MULTI-STAGE SPLIT CASE PUMPS

# DIMENSION DATA GUIDE

[pentair.com](https://www.pentair.com)

©2021 Pentair. All Rights Reserved

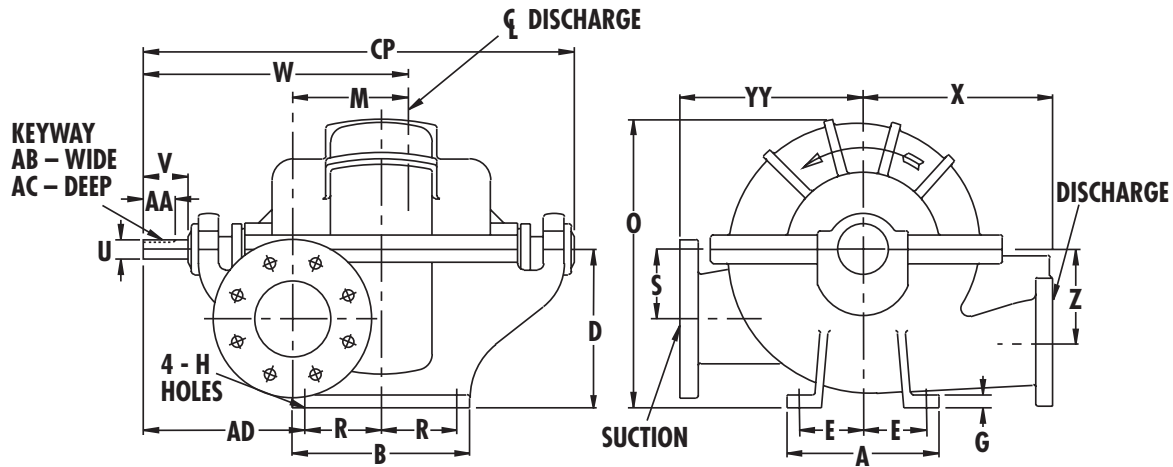
# TABLE OF CONTENTS

---

Basic Pump Dimensions ..... 3

Setting Plans ..... 5

# 1900 MULTI-STAGE SPLIT CASE PUMPS - BASIC DIMENSIONS



## RIGHT-HAND PUMP DIMENSIONS

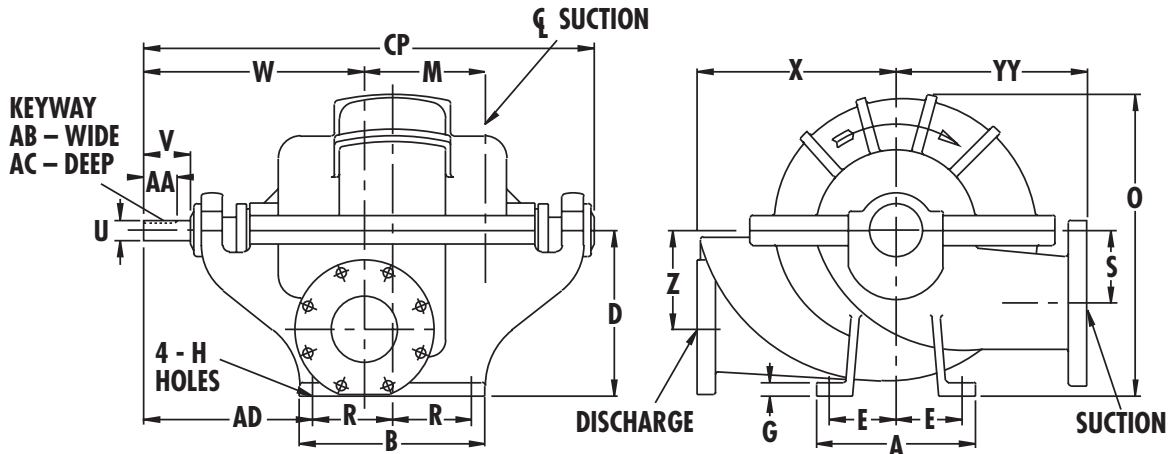
Model	Pump Size			Power Series	A	B	D	E	G	H	M	O	R	S	U	V	W	X	Z	AA	AB	AC	AD	CP	YY
	Disch.	Suction	Case Bore																						
2" 1923A/ 2" 1923B	2	2-1/2	12	2	8 (203)	10 (254)	9 (229)	3-1/2 (89)	3/4 (19)	5/8 (16)	4-3/4 (121)	19 (483)	4 (102)	4 (102)	1-1/8 (29)	2-3/4 (70)	15-3/4 (400)	10 (254)	5-1/2 (140)	2 (51)	1/4 (6)	1/8 (3)	10-1/2 (268)	26-1/4 (667)	10-1/4 (260)
2-1/2" 1922A	2-1/2	3	12	2	8 (203)	10 (254)	9 (229)	3-1/2 (89)	3/4 (19)	5/8 (16)	5-3/8 (137)	19 (483)	4 (102)	4 (102)	1-1/8 (29)	2-3/4 (70)	15-7/8 (403)	11 (279)	5-1/2 (140)	2 (51)	1/4 (6)	1/8 (3)	10-1/2 (268)	26-1/4 (667)	11 (279)
3" 1923A/ 3" 1923B	3	4	14	3	10 (254)	12 (305)	10 (254)	4-1/4 (108)	7/8 (22)	3/4 (19)	6-3/4 (171)	21 (533)	5 (127)	4-1/2 (114)	1-3/8 (35)	3 (76)	18-3/4 (476)	12 (305)	6 (152)	2 (51)	3/8 (10)	3/16 (5)	12 (305)	31 (787)	12-3/8 (314)
4" 1922	4	5	15	3	10 (254)	12 (305)	11 (279)	4-1/4 (108)	7/8 (22)	3/4 (19)	7-1/8 (181)	23 (584)	5 (127)	5 (127)	1-3/8 (35)	3 (76)	18-7/8 (479)	13 (330)	6-1/2 (165)	2 (51)	3/8 (10)	3/16 (5)	12 (305)	31 (787)	13-1/2 (343)
5" 1924	5	5	12	4A	15 (381)	16 (305)	14 (356)	6-1/2 (165)	1 (25)	7/8 (22)	6-5/8 (168)	24-1/4 (616)	7 (178)	7 (178)	1-1/2 (38)	3-5/8 (92)	20-7/8 (530)	13 (330)	7 (178)	2-1/2 (64)	3/8 (10)	3/16 (5)	12-1/2 (318)	35-3/8 (899)	13 (330)
5" 1922	5	6	15	4	12 (305)	14 (356)	12-1/2 (318)	5 (127)	1 (25)	7/8 (22)	9-1/8 (232)	24-1/2 (622)	6 (152)	5-1/2 (140)	1-1/2 (38)	3-1/2 (89)	21-1/8 (537)	15 (381)	7-1/2 (191)	2 (51)	3/8 (10)	3/16 (5)	13 (330)	34-1/2 (876)	15-7/16 (392)
6" 1924	6	6	12	5A	16 (406)	19 (483)	15 (381)	7 (178)	1 (25)	7/8 (22)	7-1/2 (191)	26-1/4 (667)	8-1/2 (216)	8 (203)	1-3/4 (44)	4 (102)	22-7/8 (581)	14 (356)	8 (203)	2-3/4 (70)	3/8 (10)	3/16 (5)	12-3/4 (324)	38-1/2 (978)	14 (356)
6" 1922A/ 6" 1922B	6	8	17	5	12 (305)	14 (356)	14-3/4 (375)	5 (127)	1 (25)	7/8 (22)	11 (279)	28-1/4 (718)	6 (152)	7 (178)	1-3/4 (44)	4 (102)	24-1/2 (622)	16 (406)	9 (229)	2-7/8 (73)	3/8 (10)	3/16 (5)	15 (381)	38 (965)	16-1/2 (419)
6" 1923/ 6" 1923B	6	8	16/ 16B	5	12 (305)	14 (356)	16-1/2 (419)	5 (127)	1 (25)	7/8 (22)	10-1/2 (267)	33-1/2 (851)	6 (152)	8-1/4 (210)	1-3/4 (44)	4 (102)	23-5/8 (600)	19 (483)	7-3/4 (197)	2-7/8 (73)	3/8 (10)	3/16 (5)	15 (381)	37-7/8 (962)	17 (432)

### NOTES

- All dimensions are in inches (mm).
- Dimensions may vary  $\pm 3/8"$  (10).
- Not for construction purposes unless certified.
- Suction & discharge flanges – American Standard flat face.
- \*5" 1924 and 6" 1924 standard 150# suction flanges & 300# discharge flanges.
- †5" 1924 and 6" 1924 opt. 300# flanges.

STD. 125# SUCTION FLANGES & 250# DISCHARGE FLANGES*	OPT. 250# FLANGES†
--	-----------------------

# 1900 MULTI-STAGE SPLIT CASE PUMPS - BASIC DIMENSIONS



## LEFT-HAND PUMP DIMENSIONS

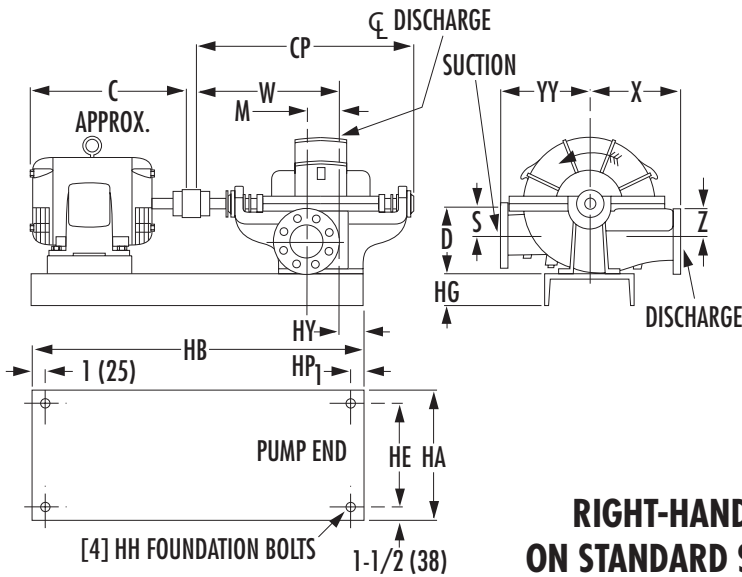
Model	Pump Size			Power Series	A	B	D	E	G	H	M	O	R	S	U	V	W	X	Z	AA	AB	AC	AD	CP	YY
	Disch.	Suction	Case Bore																						
2" 1923A/ 2" 1923B	2	2-1/2	12	2	8 (203)	10 (254)	9 (229)	3-1/2 (89)	3/4 (19)	5/8 (16)	4-3/4 (121)	19 (483)	4 (102)	4 (102)	1-1/8 (29)	2-3/4 (70)	13-1/4 (337)	10 (254)	5-1/2 (140)	2 (51)	1/4 (6)	1/8 (3)	10-1/2 (268)	26-1/4 (667)	10-1/4 (260)
2-1/2" 1922A	2-1/2	3	12	2	8 (203)	10 (254)	9 (229)	3-1/2 (89)	3/4 (19)	5/8 (16)	5-3/8 (137)	19 (483)	4 (102)	4 (102)	1-1/8 (29)	2-3/4 (70)	13-1/8 (333)	11 (279)	5-1/2 (140)	2 (51)	1/4 (6)	1/8 (3)	10-1/2 (268)	26-1/4 (667)	11 (279)
3" 1923A/ 3" 1923B	3	4	14	3	10 (254)	12 (305)	10 (254)	4-1/4 (108)	7/8 (22)	3/4 (19)	6-3/4 (171)	21 (533)	5 (127)	4-1/2 (114)	1-3/8 (35)	3 (76)	15-1/4 (387)	12 (305)	6 (152)	2 (51)	3/8 (10)	3/16 (5)	12 (305)	31 (787)	12-3/8 (314)
4" 1922	4	5	15	3	10 (254)	12 (305)	11 (279)	4-1/4 (108)	7/8 (22)	3/4 (19)	7-1/8 (181)	23 (584)	5 (127)	5 (127)	1-3/8 (35)	3 (76)	15-1/8 (384)	13 (330)	6-1/2 (165)	2 (51)	3/8 (10)	3/16 (5)	12 (305)	31 (787)	13-1/2 (343)
5" 1924	5	5	12	4A	15 (381)	16 (305)	14 (356)	6-1/2 (165)	1 (25)	7/8 (22)	6-5/8 (168)	24-1/4 (616)	7 (178)	7 (178)	1-1/2 (38)	3-5/8 (92)	18-1/8 (460)	13 (330)	7 (178)	2-1/2 (64)	3/8 (10)	3/16 (5)	12-1/2 (318)	35-3/8 (899)	13 (330)
5" 1922	5	6	15	4	12 (305)	14 (356)	12-1/2 (318)	5 (127)	1 (25)	7/8 (22)	9-1/8 (232)	24-1/2 (622)	6 (152)	5-1/2 (140)	1-1/2 (38)	3-1/2 (89)	16-7/8 (429)	15 (381)	7-1/2 (191)	2 (51)	3/8 (10)	3/16 (5)	13 (330)	34-1/2 (876)	15-7/16 (392)
6" 1924	6	6	12	5A	16 (406)	19 (483)	15 (381)	7 (178)	1 (25)	7/8 (22)	7-1/2 (191)	26-1/4 (667)	8-1/2 (216)	8 (203)	1-3/4 (44)	4 (102)	19-5/8 (498)	14 (356)	8 (203)	2-3/4 (70)	3/8 (10)	3/16 (5)	12-3/4 (324)	38-1/2 (978)	14 (356)
6" 1922A/ 6" 1922B	6	8	17	5	12 (305)	14 (356)	14-3/4 (375)	5 (127)	1 (25)	7/8 (22)	11 (279)	28-1/4 (718)	6 (152)	7 (178)	1-3/4 (44)	4 (102)	17-1/2 (445)	16 (406)	9 (229)	2-7/8 (73)	3/8 (10)	3/16 (5)	15 (381)	38 (965)	16-1/2 (419)
6" 1923/ 6" 1923B	6	8	16/ 16B	5	12 (305)	14 (356)	16-1/2 (419)	5 (127)	1 (25)	7/8 (22)	10-1/2 (267)	33-1/2 (851)	6 (152)	8-1/4 (210)	1-3/4 (44)	4 (102)	23-5/8 (600)	19 (483)	7-3/4 (197)	2-7/8 (73)	3/8 (10)	3/16 (5)	15 (381)	37-7/8 (962)	17 (432)

### NOTES

- All dimensions are in inches (mm).
- Dimensions may vary  $\pm 3/8"$  (10).
- Not for construction purposes unless certified.
- Suction & discharge flanges – American Standard flat face.
- \*5" 1924 and 6" 1924 standard 150# suction flanges & 300# discharge flanges.
- 15" 1924 and 6" 1924 opt. 300# flanges.

STD. 125# SUCTION FLANGES & 250# DISCHARGE FLANGES*	OPT. 250# FLANGES†
--	-----------------------

# 1900 MULTI-STAGE SPLIT CASE PUMPS - SETTING PLANS



BASE	SIZE	HA	HB	HE	HG	HH	HP
4	12x34	12 (305)	34 (863)	9 (228)	3 (76)	1/2 (13)	20 (508)
5	12x38	12 (305)	38 (964)	9 (228)	3 (76)	1/2 (13)	20 (508)
7	13x42	13 (330)	42 (1066)	10 (254)	4 (102)	5/8 (16)	24 (609)
9	15x44	15 (381)	44 (1117)	12 (305)	3-3/8 (86)	5/8 (16)	24 (609)
11	18x48	18 (457)	48 (1218)	15 (381)	4 (102)	5/8 (16)	1 (25)
12	18x54	18 (457)	54 (1371)	15 (381)	4 (102)	5/8 (16)	1 (25)
13	18x60	18 (457)	60 (1523)	15 (381)	4 (102)	5/8 (16)	24 (609)
15	22x60	22 (558)	60 (1523)	19 (482)	4 (102)	5/8 (16)	1 (25)
16	22x72	22 (558)	72 (1827)	19 (482)	4 (102)	5/8 (16)	2 (51)
17	22x84	22 (558)	84 (2134)	19 (482)	4 (102)	5/8 (16)	1 (25)

Model	PUMP SIZE			POWER SERIES	D	M	S	W	Z	CP	HY	X	YY	C FRAME	145T	182T	184T	213T	215T	254T	256T	284TS	284T	286TS	286T	324TS	324T	376TS	376T	364TS	364T	365TS	365T	404TS	404T	405TS	405T	444TS	444T	445TS	445T	447TS	447T	449TS	449T			
	DISCH.	SUCTION	CASE BORE												125# SUCTION FLANGE, 250# DISCHARGE FLANGE	250# SUCTION AND DISCHARGE FLANGES	STANDARD 5" 1924 & 6" 1924 150# SUCTION FLANGE, 300# DISCHARGE FLANGE	OPTIONAL 5" 1924 & 6" 1924 300# SUCTION AND DISCHARGE FLANGES	(305)	(330)	(355)	(406)	(457)	(533)	(584)	(558)	(609)	(609)	(635)	(635)	(660)	(660)	(711)	(685)	(736)	(711)	(685)	(736)	(711)	(761)	(761)	(761)	(761)	(838)	(883)	(863)	(863)	(914)
2" 1923A/ 2" 1923B	2	2-1/2	12	2	9 (228)	4-3/4 (121)	4 (102)	15-3/4 (400)	5-1/2 (140)	26-1/4 (666)	3-3/4 (95)	10 (254)	10-1/4 (260)	BASE	4	4	4	5	5	9	9	9	9	9	11	11	11	11	11	11	11	11	11	11	11	11	11	11	11	11	11	11	11	11	11			
2-1/2" 1922A	2-1/2	3	12	2	9-3/4 (248)	5-3/8 (136)	4 (102)	15-7/8 (403)	5-1/2 (140)	26-1/4 (666)	3-5/8 (92)	11 (279)	11 (279)	BASE	4	4	4	5	5	9	9	9	9	9	11	11	11	11	11	11	11	11	11	11	11	11	11	11	11	11	11	11	11	11	11	11	11	
3" 1923A/ 3" 1923B	3	4	14	3	11 (279)	6-3/4 (171)	4-1/2 (114)	18-3/4 (476)	6 (152)	31 (787)	4-1/4 (108)	12 (305)	12-3/8 (314)	BASE	5	5	7	7	9	11	11	11	11	11	11	11	12	12	12	12	12	12	12	12	15	15	15	15	15	15	15	15	15	15	15	15	15	
4" 1922	4	5	15	3	11 (279)	7-1/8 (181)	5 (130)	18-7/8 (479)	6-1/2 (165)	31 (787)	4-1/8 (105)	13 (330)	13-1/2 (343)	BASE	9	11	11	11	11	11	11	11	11	11	11	11	12	12	12	12	12	12	12	15	15	15	15	15	15	15	15	15	15	15	15	15	15	
5" 1924	5	5	12	4A	14 (356)	6-5/8 (168)	7 (178)	20-7/8 (530)	7 (178)	35-3/8 (899)	11-1/8 (283)	13 (330)	13 (330)	BASE																			16	16	16	16	16	16	16	16	16	16	16	16	17	17		
5" 1922	5	6	15	4	12-1/2 (317)	9-1/8 (232)	5-1/2 (140)	21-1/8 (536)	7-1/2 (190)	34-1/2 (876)	4-7/8 (124)	15 (381)	15-7/16 (392)	BASE					11	12	12	12	12	12	12	12	12	12	12	12	12	12	13	15	15	15	15	16	16	16	16	16	16	16	16	16	16	
6" 1924	6	6	12	5A	15 (381)	7-1/2 (191)	8 (203)	22-7/8 (581)	8 (203)	38-1/2 (978)	10-7/8 (276)	14 (356)	14 (356)	BASE																																		
6" 1922A/ 6" 1922B	6	8	17	5	14-3/4 (374)	11 (279)	7 (178)	24-1/2 (622)	9 (228)	38 (964)	3-1/2 (89)	16 (406)	16-1/2 (419)	BASE					12	12	12	12	12	12	12	12	12	12	13	13	13	13	13	13	15	15	15	15	16	16	16	16	16	16	16	16	16	
6" 1923/ 6" 1923B	6	8	16/ 16B	5	16-1/2 (419)	10-1/2 (267)	8-1/4 (210)	23-5/8 (600)	7-3/4 (197)	37-7/8 (962)	5 (127)	19 (483)	17 (432)	BASE																																		

- NOTES
- All dimensions are in inches.
  - Dimensions may vary ±3/8".
  - Not for construction purposes unless certified.
  - Coupling gap may vary 1/8" through 1".
  - Conduit box is shown in approximate location. Dimensions are not specified as they vary with each motor manufacturer.
  - Suction and discharge flanges are ANSI standard flat face.





