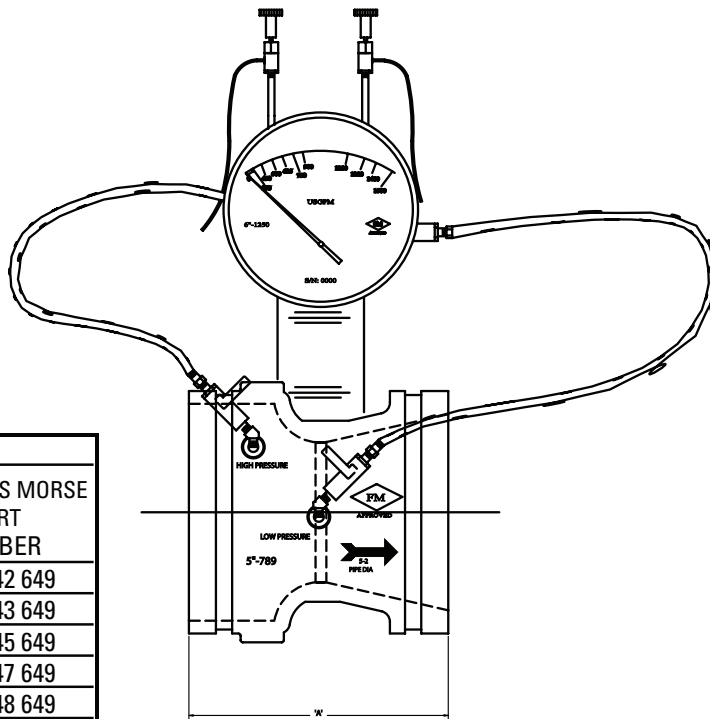


Global Vision Flow Meters

NOMINAL FLOW RATE G.P.M.	PIPE SIZE	GROOVED		
		OPTION NUMBER	"A" DIM.	FAIRBANKS MORSE PART NUMBER
150	3	91AGJ	4.000	366 0842 649
200	3	91AGK	4.000	366 0843 649
250	4	91AGM	5.375	366 0845 649
300	4	91AGP	5.375	366 0847 649
400	4	91AGR	5.375	366 0848 649
450	4	91AGT	5.375	366 0849 649
	5	91AGW	6.000	366 0850 649
500	5	91AHB	6.000	366 0852 649
	6	91AHC	7.000	366 0853 649
750	5	91AHD	6.000	366 0854 649
	6	91AHE	7.000	366 0855 649
1000	6	91AHF	7.000	366 0856 649
	8	91AHG	7.250	366 0857 649
1250	6	91AHH	7.000	366 0858 649
	8	91AHJ	7.250	366 0859 649
1500	8	91AHK	7.250	366 0860 649
	10	91AHL	8.000	366 0861 649
2000	8	91AHM	7.250	366 0862 649
	10	91AHN	8.000	366 0863 649
2500	8	91AHP	7.250	366 0864 649
	10	91AHR	8.000	366 0865 649
3000	12	91AHT	12.000	366 0866 649
	8	91AHW	7.250	366 0867 649
3500	10	91AJA	8.000	366 0868 649
	12	91AJB	12.000	366 0869 649
4000	10	91AJC	8.000	366 0870 649
	12	91AJD	12.000	366 0871 649
4500	10	91AJE	8.000	366 0872 649
	12	91AJF	12.000	366 0873 649
5000	10	91AJG	8.000	366 0874 649
	12	91AJH	12.000	366 0875 649
5000	12	91AJK	12.000	366 0877 649



NOTES:

1. ACCURACY IS APPROXIMATELY 2%.
2. FLOWMETER IS GLOBAL VISION INCORPORATED VENTURI TYPE RATED FOR 500 PSI WITH BUTT-WELD, GROOVED, OR CLASS 300 FLANGED CONNECTIONS AND FOR 275 PSI WITH CLASS 150 FLANGED CONNECTIONS.
3. PROPER OPERATION REQUIRES THAT MINIMUM DISTANCES OF STRAIGHT PIPE RUNS BE MAINTAINED BOTH UPSTREAM AND DOWNSTREAM FROM FLOWMETER. REFER TO MANUFACTURER'S INSTRUCTIONS BEFORE ATTEMPTING INSTALLATION.
4. METER RANGE IN 50% TO 200% OF NOMINAL FLOW. DIAL IS DIRECT READING IN G.P.M. AND L.P.M. FOR THE SPECIFIED RANGE.
5. PART NUMBER INCLUDES COMPLETE ASSEMBLY OF VENTURI, 4" DIAMETER DIAL AND INTERCONNECTING HOSES.
6. EACH ASSEMBLY TO BE INDIVIDUALLY BOXED, WITH THE AURORA PART NO. CLEARLY MARKED ON THE OUTSIDE OF THE BOX.