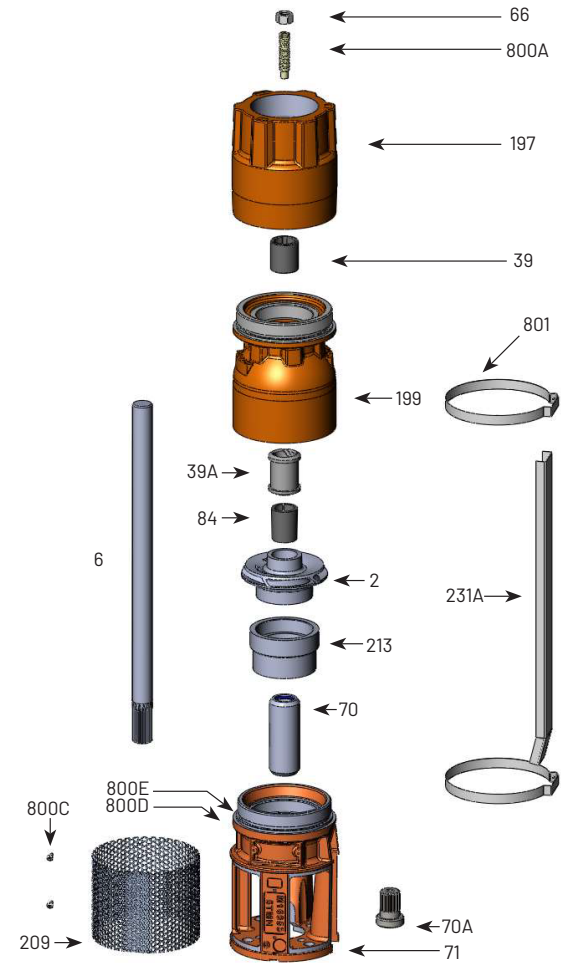


Submersible Turbines	
Section	ST-5TMH
Page	1.0
Date	February 4, 2021
Supersedes	June 4, 2018



Trim	"D" Diameter inches (mm)	"H" Height inches (mm)	∠
"A"	4.275" (108.6)	1.15" (29.2)	24°
"B"	3.793" (96.4)	1.08" (27.4)	24°

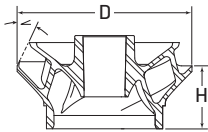


Table 4 - 60Hz Staging Requirements Build Table

Series(5)	HP / Kw	Stages	Qty of Each Trim		416 ss shaft(6)		Ion-nitride shaft(6)		Shaft Length in / (mm)	Cable Guard Length(7) in / (mm)	Assembled Pump Length (motor not included) in / (mm)
			A trim	C trim	Pump Catalog Number	Shaft p/n	Pump Catalog Number	Shaft p/n			
5TMH5-110	5 / 3.7	3	2	1	B87185	M16220	B87185N	M16234	25.5 / (647.7)	22 / (558.8)	31.7 / (805.2)
5TMH7.5-110	7.5 / 5.6	5	3	2	B87187	M16222	B87187N	M16236	38.5 / (977.9)	35 / (889)	44.7 / (1135.4)
5TMH10-110	10 / 7.5	6	5	1	B87189	M16223	B87189N	M16237	45 / (1143)	41.5 / (1054.1)	51.2 / (1300.5)
5TMH15-110	15 / 11.2	10	6	4	B87191	M16227	B87191N	M16241	71 / (1803.4)	67.5 / (1714.5)	77.2 / (1960.9)
5TMH20-110	20 / 14.9	12	10	2	B87193	M16228	B87193N	M16242	84 / (2133.6)	80.5 / (2044.7)	90.2 / (2291.1)
5TMH25-110	25 / 18.6	14	14	-	B87195	M16608	B87195N	M16614	97 / (2463.8)	93.5 / (2374.9)	103.2 / (2621.3)
5TMH30-110	30 / 22.4	17	17	-	B87197	M17248	B87197N	M17249	116.5 / (2959.1)	113 / (2870.2)	122.7 / (3116.6)

(5) = effective assembled pump diameter, with cable guard lying flat against pump, is 5.625" (143 mm)
 (6) = for both 4" and 6" motors, the same shaft and cable guards are used
 (7) = Cable Guard p/n 308666000 is sold in 12" (3.66m) lengths only

TABLE 1 - 5TMH-110 Common Parts Group

Item Number	Part Number	Description	Material	Material Reference	Required Qty (per stage)
2	See Table 3	Impeller	316 stainless steel	AISI 316 UNS S31600	1
6	See Table 4	Shaft	416 stainless steel	AISI 416 UNS S41600	1
39	M15686	Top Bearing	Vesconite		1
39A	S13636	Bowl Bearing	Rubber	Neoprene	1
66	M15881	Upthrust Nut, 1/2-13 LH			1
70	B86966	6" Motor Coupling	416 stainless steel	AISI 416 UNS S41600	1
70A	M15847	4" Motor Coupling	416 stainless steel	AISI 416 UNS S41600	1
71	M16053	Motor Suction Bracket(1)	ductile iron	ASTM A536-84 64-45-12	1
84	S05301	Collet, 1"	steel	AISI 1226	1
199	B86115	Bowl, with bearing	class 30 grey iron	ASTM A48 Class 30	1
197	M16054	Discharge adapter(2)	ductile iron	ASTM A536-84 64-45-12	1
209	M16056	Suction Screen	302 stainless steel	AISI 302 UNS S30400	1
213	M16273	Intake adapter insert(3)			1
231A	308666000	Cable guard	302 stainless steel	AISI 302 UNS S30200	see Table 4
800A	M15882	Upthrust Screw, 1/2-13 LH			1
800C	M15937	Suction Screen Screw, 8-32 x 3/8 PH			2
801	M15878	Cable guard clamp			2
Not illustrated	B86187	Bolt Kit, 6" motor			1
Not illustrated	M15847	Adapter Kit, 4" motor			1

B87175 - Literature Package:
 (1) = motor bracket is dual-machined for 4" and 6" motors
 (2) = discharge adapter assembly (p/n B86420) includes items 39, 66, 197, and 800A
 (3) = motor suction bracket assembly (p/n B86445) includes items 71 and 213

TABLE 2 - Additional Staging

Item Number	Part Number	Description	Material	Material Reference	Required Qty (per stage)
39A	S13636	Bowl Bearing	Rubber	Neoprene	1
	S10708	Bowl Bearing (optional)(4)	Bronze		1
199	B86115	Bowl, with bearing	class 30 grey iron	ASTM A48 Class 30	1
84	S05301	Collet, 1"	steel	AISI 1226	1
2	See Table 3	Impeller	316 stainless steel	AISI 316 UNS S31600	1

(4) = bronze bearing may be used in place of the standard Neoprene bearing

TABLE 3 - Impeller Information

Item Number	Part Number	Description / Diameter (D)	Height (H)	Angle ()	Required Qty (per stage)
2	M16033	"A" impeller, 4.365" (110.9mm)	1.20" (30.5mm)	24°	See Table 4
	M16034	"C" impeller, 3.875" (98.4mm)	1.12" (28.5mm)	24°	