

# BERKELEY® SJH Series

Self-priming shallow well jet pumps, stainless steel body



SJH models provide excellent performance with good pressure for wells to 25' deep. Self-priming after the priming chamber has been filled with water.

## APPLICATIONS

Water systems and sprinkling... for homes, farms and cottages.

## SPECIFICATIONS

**Maximum Liquid Temperature Limits:** 122°F (50°C)

**Max. Inlet Pressure:** 50 PSI

**Average Priming Time at 20 Feet:**

07SJH11C = 5.3 min.

10SJH11C = 4.2 min.

**Body:** 304 Stainless steel

**Jet Assembly, Diffuser, Impeller:** Noryl®

**Shaft:** One-piece threaded, 416 grade stainless steel

**Base:** Polypropylene

## FEATURES

**Corrosion Free:** Stainless steel pump body provides maximum resistance to corrosion.

**Built-in Jet:** High-strength thermoplastic components are corrosion resistant.

**Mechanical Shaft Seal:** Highly polished carbon-ceramic and stainless steel construction.

**Motor Windings:** Superior insulation materials protect against excessive moisture and contaminants... assure prolonged motor life.

**Balanced Rotor:** Diecast under high pressures for uniform performance and greater efficiency, dynamically balanced.

**Heavy-Duty Ball Bearings:** Shielded, permanently lubricated bearings, extensively tested to ensure extended life and smooth, quiet operation.

**Pump and Motor Shaft:** Stainless steel for maximum corrosion resistance; one-piece threaded shaft for positive impeller drive and alignment.

**Dustproof Cover:** All electrical components are protected from dirt, dust and insects by a dustproof canopy; ventilating air cannot contaminate vital switching components.

**Pressure Switch:** Quality, fixed differential (20 PSI).

## ORDERING INFORMATION

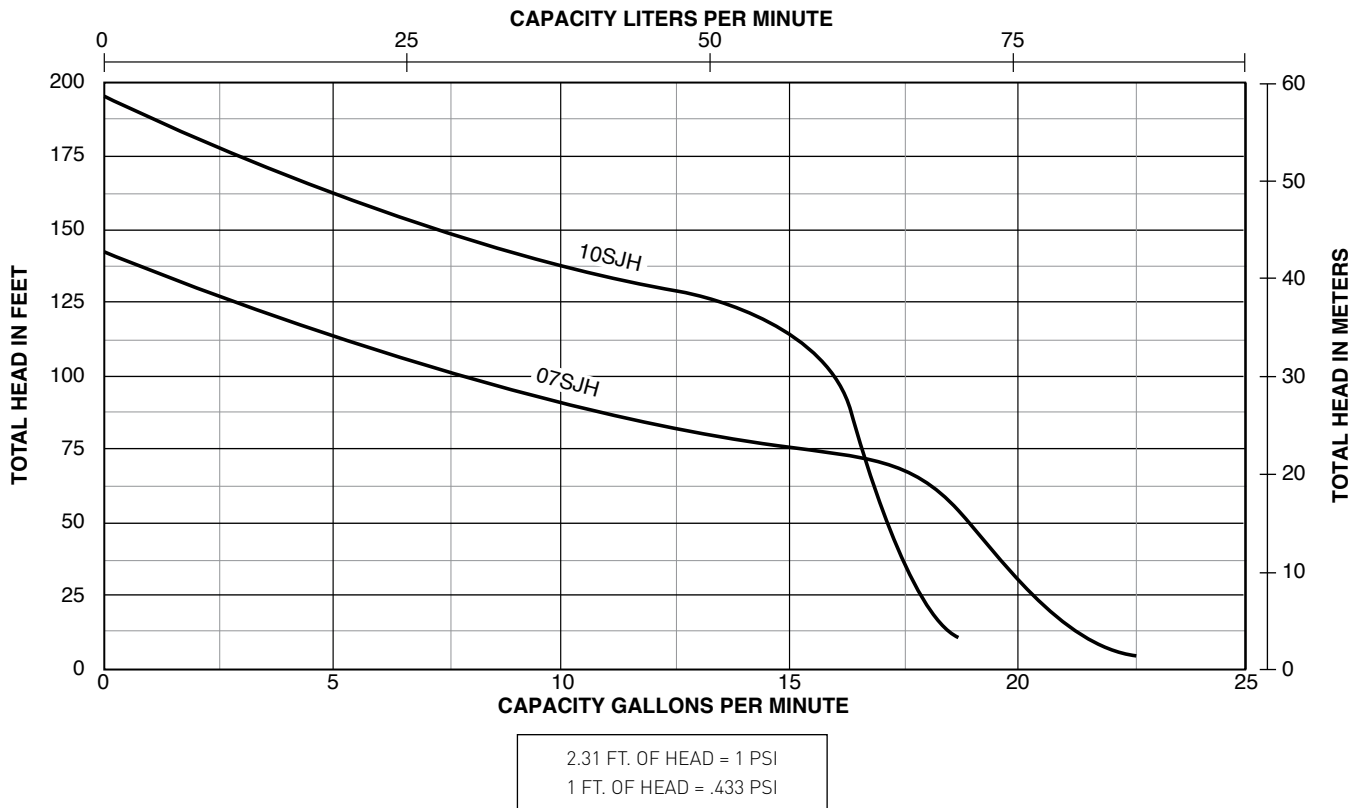
CATALOG NUMBER	HP	SWITCH SETTING	DESCRIPTION	PIPE TAPPING SIZES		MOTOR VOLTAGE	APPROX. WT. LBS.
				SUCTION	DISCHARGE		
07SJH11C	3/4	30-50	Shallow Well Jet	1-1/4"	1"	115/230	26
10SJH11C	1	40-60	Shallow Well Jet	1-1/4"	1"	115/230	29

Pentair trademarks and logos are owned by Pentair plc or its affiliates. All other third party registered and unregistered trademarks and logos are the property of their respective owners.

# BERKELEY® SJH Series

Self-priming shallow well jet pumps, stainless steel body

## PUMP PERFORMANCE



PUMP PERFORMANCE (Capacity in gallons per minute)								
CATALOG NUMBER	HP	DISCH. PRESSURE PSI	DEPTH TO WATER					SHUT-OFF PRESSURE PSI
			5'	10'	15'	20'	25'	
07SJH	3/4	30	15.0	13.5	11.9	10.4	9.1	64
		40	8.3	7.1	6.1	5.2	4.3	
		50	3.7	2.9	1.9	1.0	0.2	
10SJH	1	40	16.2	14.6	12.6	10.6	7.5	80
		50	15.4	14.3	12.3	10.3	7.3	
		60	9.5	9.5	9.5	9.5	7.1	

Tested and rated in accordance with Water Systems Council Standards.

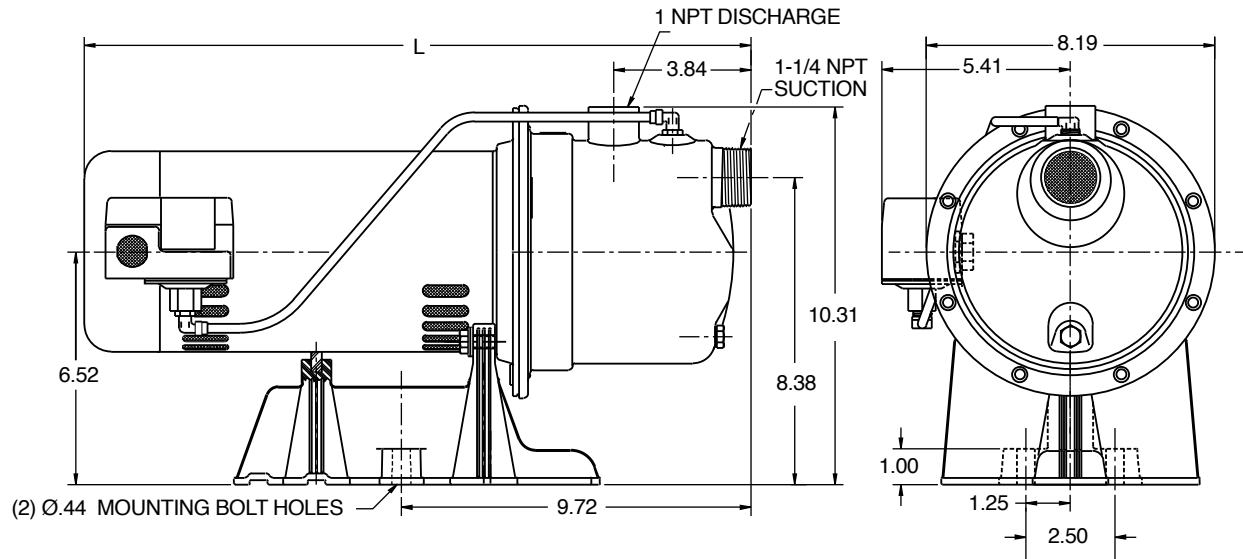
NOTE: CJ90E uses 30-50 PSI pressure switch; CJ90F uses 40-60 PSI pressure switch.

Pumps installed with a Pro-Source® tank require a 100 PSI relief valve. Pumps installed with a conventional tank require a 75 PSI relief valve. Relief valve must be capable of relieving entire flow of pump at relief pressure.

# BERKELEY® SJH Series

Self-priming shallow well jet pumps, stainless steel body

## OUTLINE DIMENSIONS



CATALOG NUMBER	L
7SJH	18.19
10SJH	19.25

Dimensions (in inches) are for estimating purposes only.



US: 293 WRIGHT STREET, DELAVAN, WI 53115 WWW.BERKELEYPUMPS.COM PH: 888-782-7483 ORDERS FAX: 800-426-9446  
CANADA: 490 PINEBUSH ROAD, UNIT 4, CAMBRIDGE, ONTARIO N1T 0A5 PH: 800-363-7867 ORDERS FAX: 888-606-5484  
Because we are continuously improving our products and services, Pentair reserves the right to change specifications without prior notice.