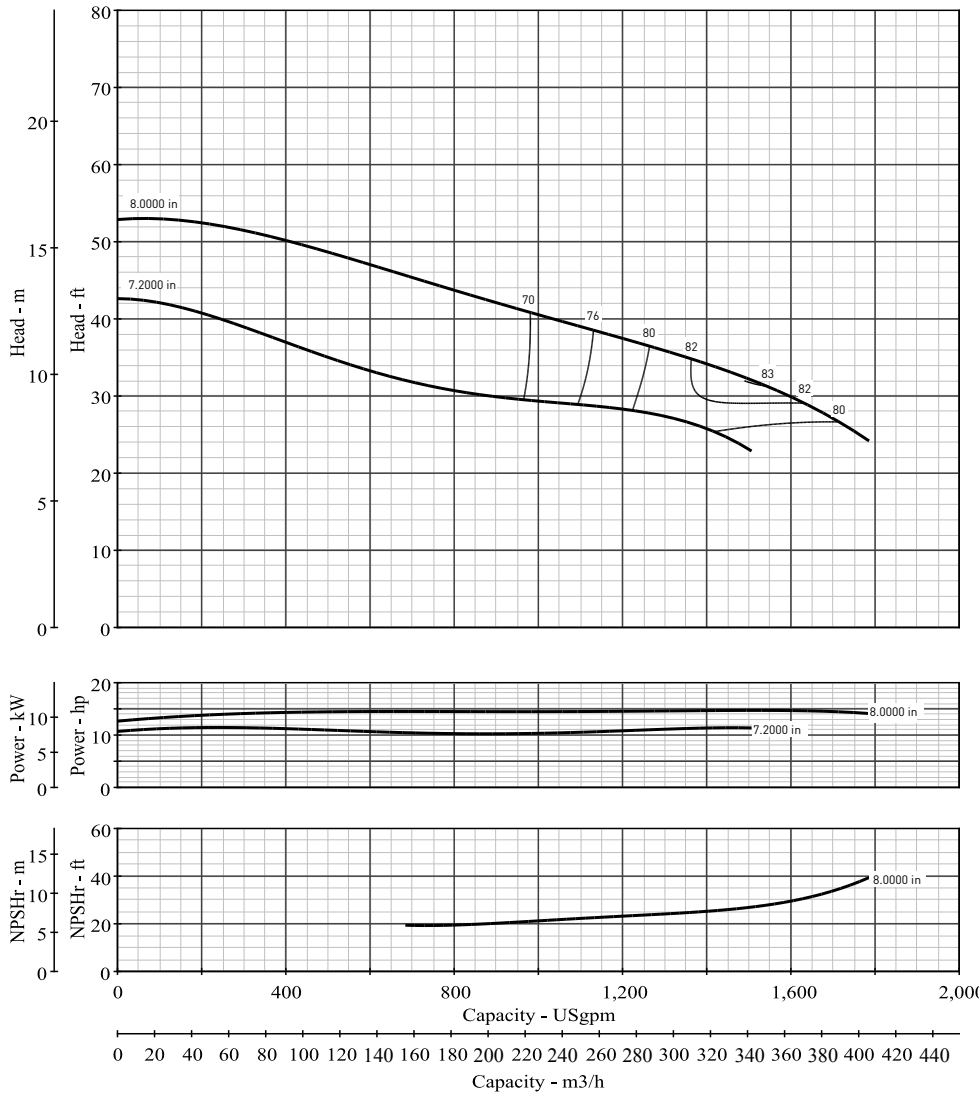
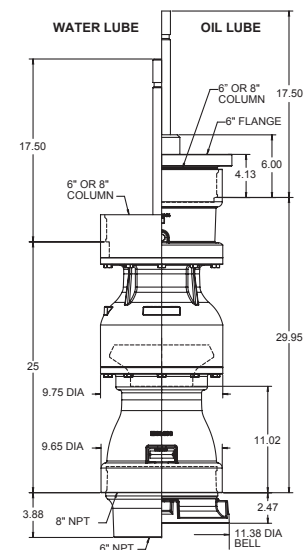


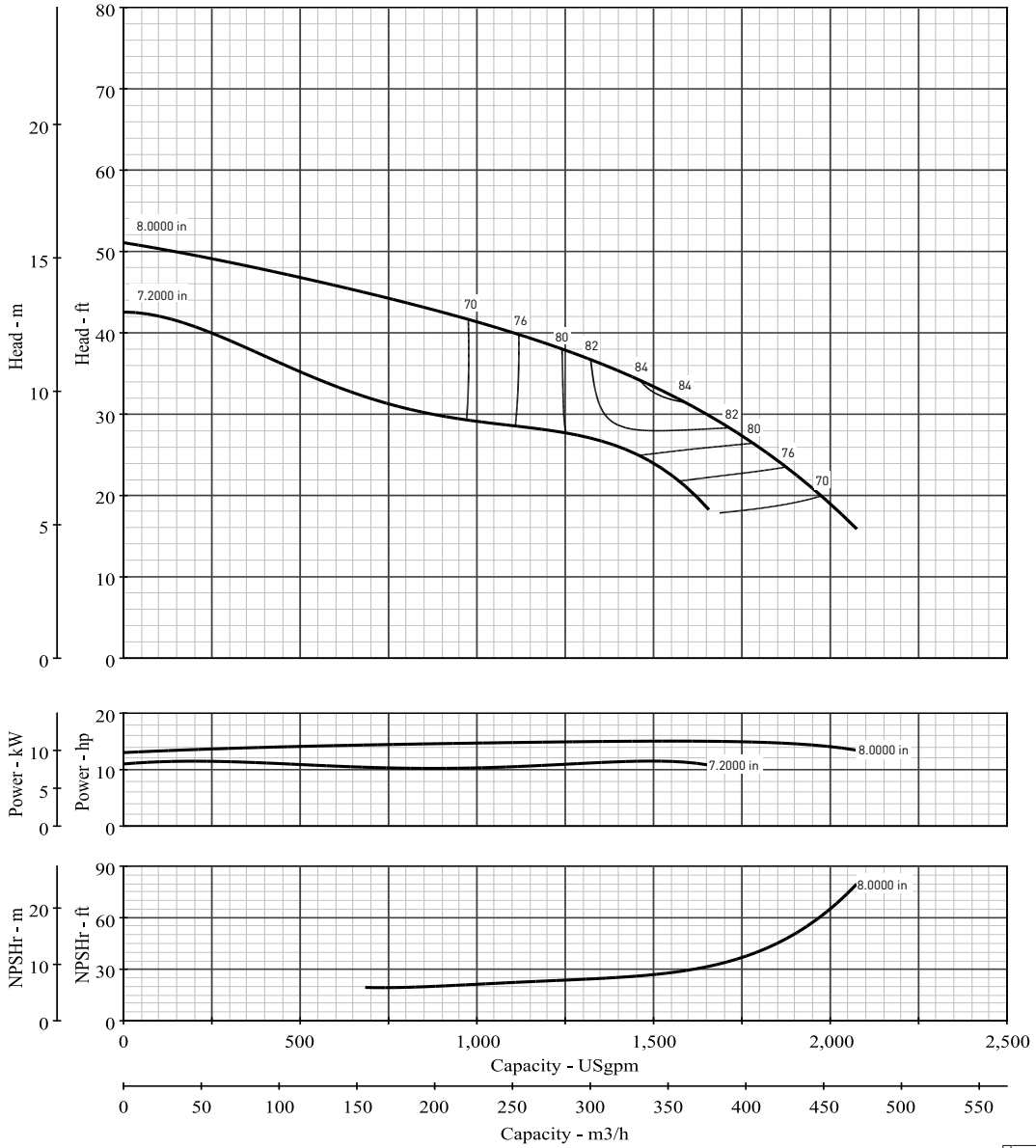
STAGE #	EFFICIENCIES	10VT1500 CLOSED IMPELLER 1770 RPM <small>SINGLE STAGE LAB PERFORMANCE WITH STANDARD MATERIALS. EFFICIENCY SHOWN FOR 4 OR MORE STAGES. HORSE POWER SHOWN FOR ONE STAGE BASED ON 4 STAGE EFFICIENCY. CORRECTIONS SHOULD BE MADE FOR STAGES AND MATERIAL.</small>
1	-2.5	
2	-1	
3	-0.5	
4	0	



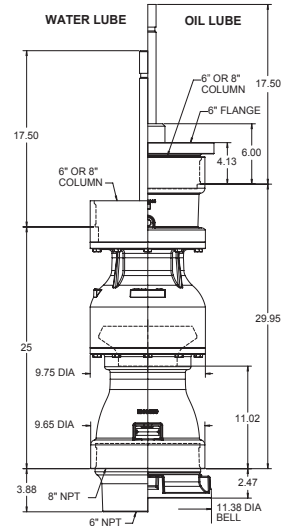
Maximum Operation Speed (rpm)	1800	Maximum Sphere Size (inch)	0.99
Pump Shaft Diameter (inch)	1.500	Thrust Factor (Kt)	10.54
Bowl Weight, 1st Stage W/L (lbs)	178	WR ²	0.793
Bowl Weight, 1st Stage O/L (lbs)	206	Running Position, Above Seat (inch)	0.200
Bowl Weight, Each Add Stage (lbs)	76	Submergence (inch)	47
Allowable Shaft Stretch (inch)	1.25	Max Bowl Brg Clearance (inch dia.)	0.014
Std. Max Working Pressure (psi)	400	Max Wear Ring Clearance (inch dia.)	0.015
Optional Max Working Pressure (psi)	700	Max Bowl O.D. (inch)	9.75
Impeller Eye Area (sq. inch)	28.57	Suction Bell O.D. (inch)	11.38
Rotor Weight 1st/Add Stages (lbs)	33/16	Standard Max Number Stages	13
Additional Length Per Stage (inch)	11.5	Optional Max Number Stages	17
Discharge Thread Column (inch)	8	Suction Threads NPT (inch)	8



STAGE #	EFFICIENCIES	10VT1500K SEMI-OPEN IMPELLER 1770 RPM SINGLE STAGE LAB PERFORMANCE WITH STANDARD MATERIALS. EFFICIENCY SHOWN FOR 4 OR MORE STAGES. HORSE POWER SHOWN FOR ONE STAGE BASED ON 4 STAGE EFFICIENCY. CORRECTIONS SHOULD BE MADE FOR STAGES AND MATERIAL.
1	-2.5	
2	-1	
3	-0.5	
4	0	



Maximum Operation Speed (rpm)	1800	Maximum Sphere Size (inch)	0.99
Pump Shaft Diameter (inch)	1.500	Thrust Factor (Kt)	10.89
Bowl Weight, 1st Stage W/L (lbs)	178	WR ²	0.4753
Bowl Weight, 1st Stage O/L (lbs)	206	Running Position, Above Seat (inch)	0.015
Bowl Weight, Each Add Stage (lbs)	76	Submergence (inch)	47
Allowable Shaft Stretch (inch)	1.25	Max Bowl Brg Clearance (inch dia.)	0.014
Std. Max Working Pressure (psi)	400	Max Wear Ring Clearance (inch dia.)	N/A
Impeller Eye Area (sq. inch)	28.57	Max Bowl O.D. (inch)	9.75
Rotor Weight 1st/Add Stages (lbs)	29/12	Suction Bell O.D. (inch)	11.38
Additional Length Per Stage (inch)	11.5	Standard Max Number Stages	9
Discharge Thread Column (inch)	8	Suction Threads NPT (inch)	8



293 Wright Street | Delavan, WI 53115 | pentair.com/berkeley

All indicated Pentair trademarks and logos are property of Pentair. Third party registered and unregistered trademarks and logos are the property of their respective owners. Because we are continuously improving our products and services, Pentair reserves the right to change specifications without prior notice. Pentair is an equal opportunity employer.