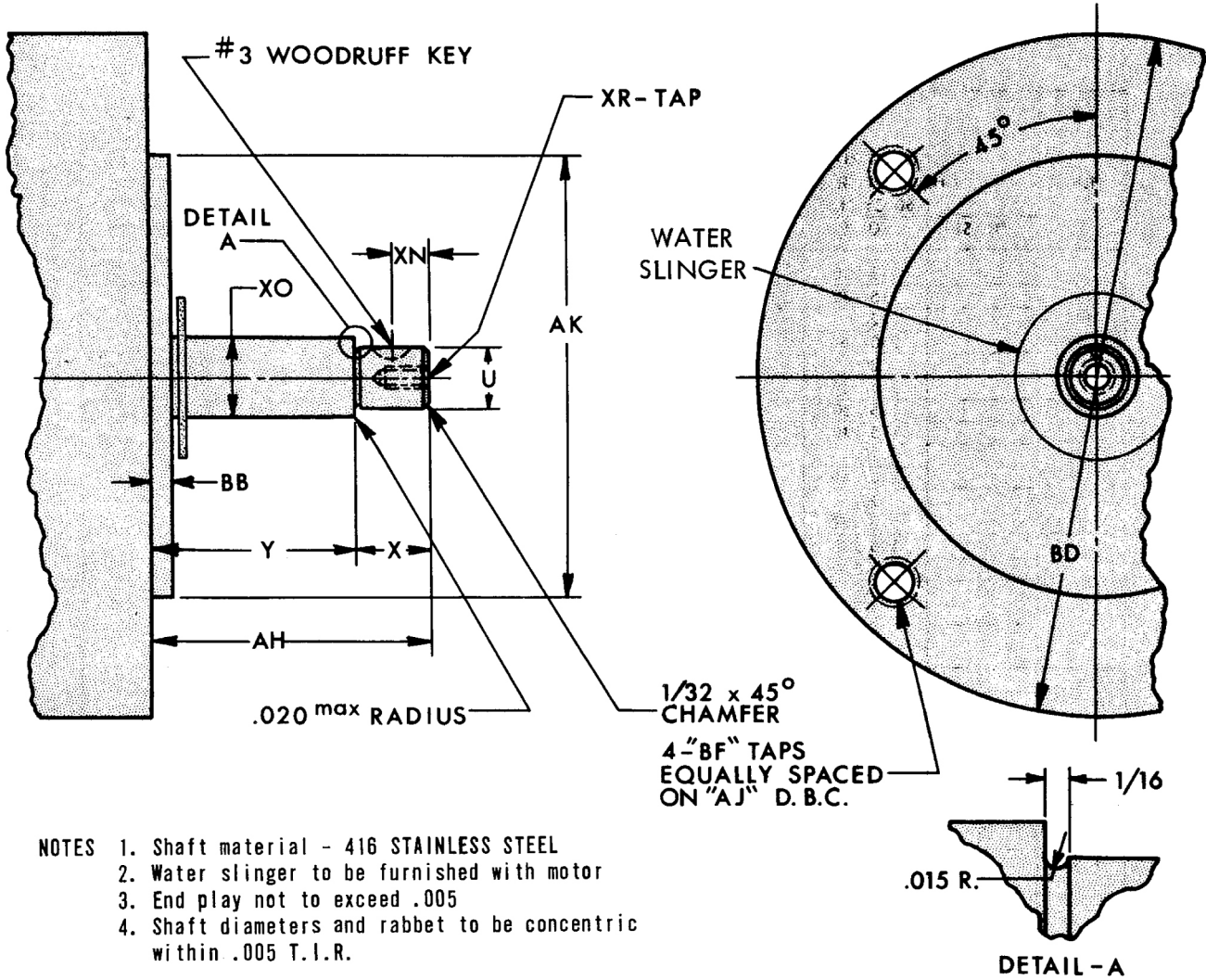


**AURORA® SERIES 320**  
**MODELS 321, 322 AND 323**  
**60 HERTZ MOTOR DATA SHEET**  
**1 PHASE: 115–230 VOLTS**  
**3 PHASE: 200 (ONLY) OR 230/460 VOLTS**  
**AURORA® MOTOR FRAMES**

Section **320** Page **71**  
 Date **JULY 2015**  
 Supersedes **JUNE 2013**

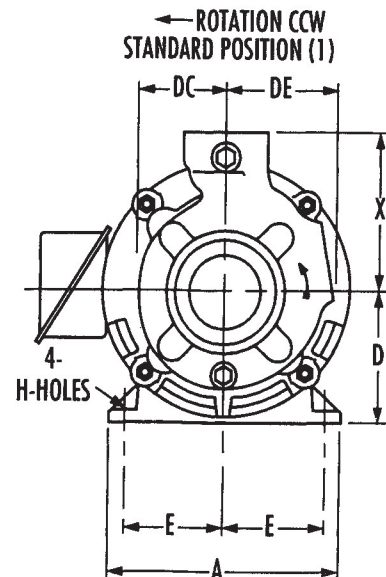
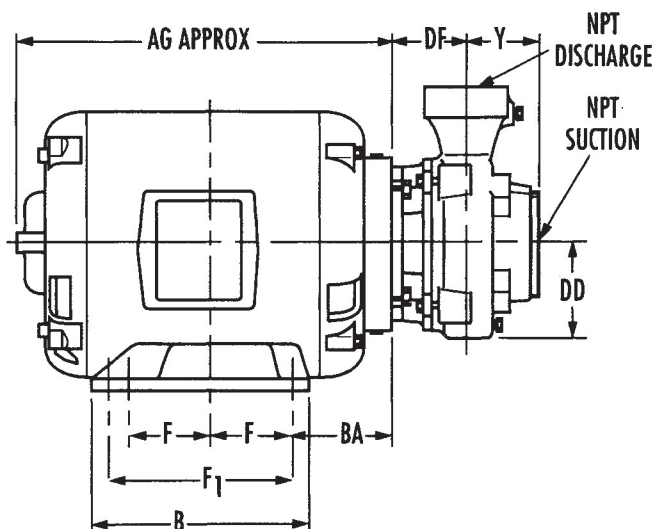
HP	Electrical Characteristics 60 Cycle			Horizontal & Vertical	
	Phase	Volt	RPM	TEFC & Hazardous Location Frame	Service Factor TEFC & Hazardous Location
3/4	1	115–230	1750	56	1.15
	1	115–230	3500	56	1.15
	3	200	1750	56	1.15
		230/460	1750		
	3	200	3500	56	1.15
		230/460	3500		
1	1	115–230	1750	56	1.15
1-1/2	1	115–230	1750	145T	1.15
	1	115–230	3500	56	1.15
	3	200	1750	56	1.15
		230/460	1750		
	3	200	3500	56	1.15
		230/460	3500		
2	1	115–230	3500	145T	1.15
	3	200	1750	145T	1.15
		230/460	1750		
	3	200	3500	145T	1.15
		230/460	3500		
	3	1	115–230	1750	184TCZ
1		115–230	3500	182TCZ	1.15
5	3	200	1750	184T	1.15
		230/460	1750		
	3	200	3500	184T	1.15
		230/460	3500		
7-1/2	3	200	3500	N/A	1.15
		230/460	3500		

**AURORA® SERIES 320**  
 MODELS 321 AND 323  
 SHAFT EXTENSION

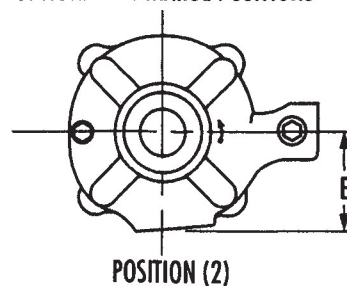


Frame Size	U	X	Y	AH	AJ	AK	BB	BD	BF	XN	XO	XR
56												
145T	.5900					4.500			3/8-16			1/4-28
182T	.5895	11/16	1-7/8	2-9/16	5-7/8	4.497	1/8	6-1/2	N.C. 5/8 DEEP	5/16	.7500 .7495	N.F. 1/2 DEEP
184T												

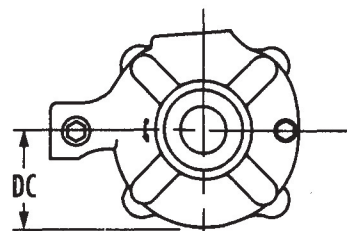
# AURORA® MODEL 321 PUMPS



### OPTIONAL DISCHARGE POSITIONS



POSITION (2)



POSITION (4)

FRAME	A	B	D	E	F	F1	H	AG	BA
56CZ	6-3/4	4	3-1/2	2-7/16	1-1/2	—	11/32 SLOT	11	2-9/16
143TCZ	7	6	3-1/2	2-3/4	2	—	11/32 SLOT	10	2-7/8
145TCZ	7	6	3-1/2	2-3/4	2-1/2	—	11/32 SLOT	11	2-7/8
182TCZ	8-3/4	6-5/8	4-1/2	3-3/4	2-1/4	—	13/32 SLOT	11	3-5/8
184TCZ	8-3/4	6-5/8	4-1/2	3-3/4	—	5-1/2	13/32 SLOT	12	3-5/8

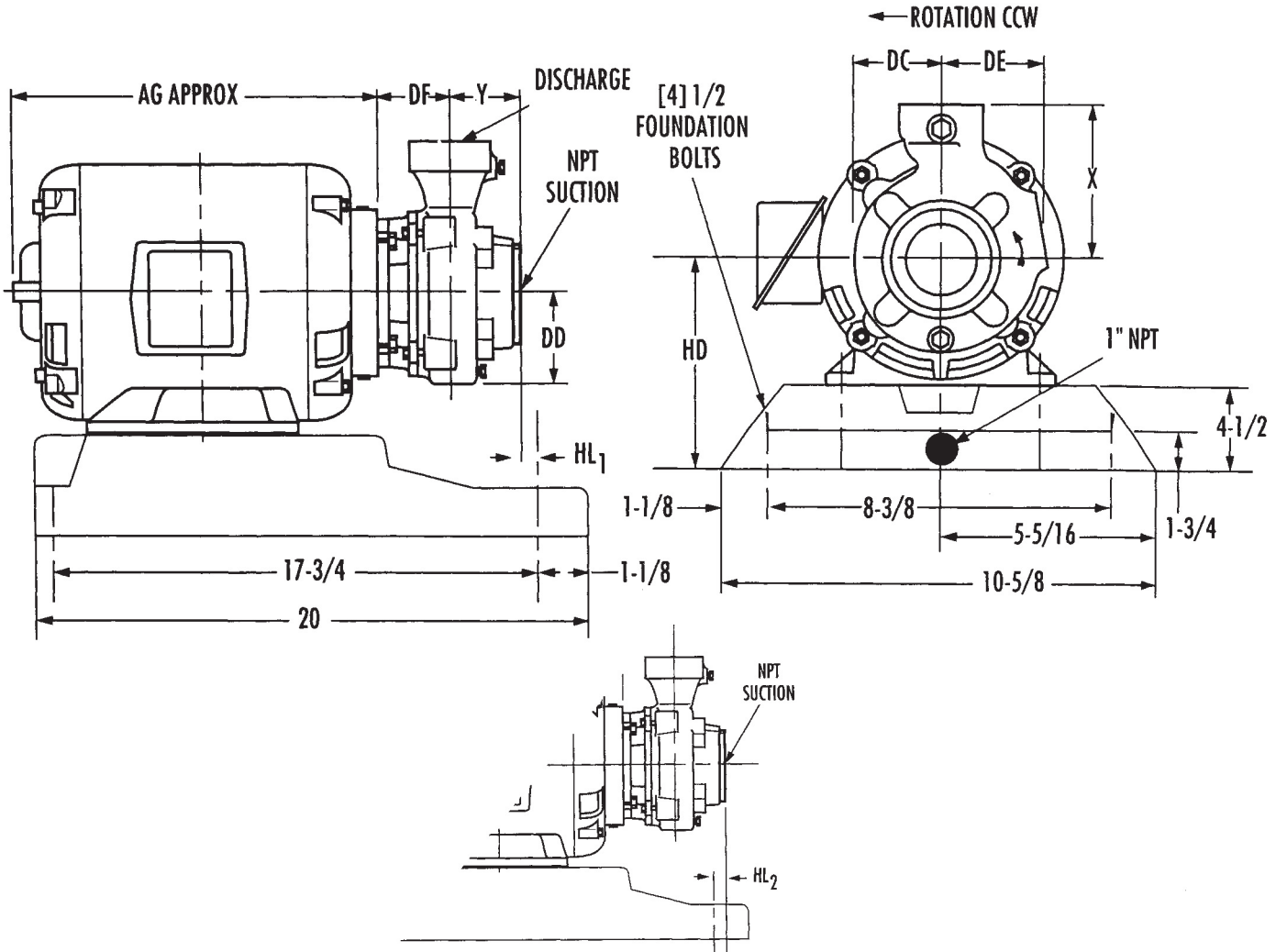
PUMP SIZE			X	Y	DC	DD	DE	DF
DISCH	SUCT	CASE BORE						
3/4	1	6	5-1/2	1-3/4	3-5/16	3-7/16	3-7/8	2-13/16
3/4	1	7	6-1/4	1-7/8	3-15/16	4	4-7/16	2-13/16
1	1-1/4	4	4-1/8	1-11/16	2-3/8	2-3/8	2-7/16	2-15/16
1	1-1/4	5	5	2	2-13/16	2-7/8	3	2-7/8
1	1-1/4	6	5-1/2	1-15/16	3-5/16	3-3/8	3-7/8	2-7/8
1-1/4	1-1/2	5	5	1-15/16	2-7/8	2-15/16	3-7/16	2-15/16
1-1/4	1-1/2	7A	6-1/4	2	4	4-1/16	4-1/2	2-15/16
1-1/4	1-1/2	7B	6-1/4	2-7/16	4	4-1/8	4-5/8	2-7/8
1-1/4	1-1/2	9	8	2-1/4	5-13/16	5-3/16	5-13/16	2-7/8
1-1/2	2	4	5	2-1/8	2-1/2	3	2-3/4	3-1/16
1-1/2	2	7	7	2-1/4	4-1/16	4-1/4	4-7/8	2-7/8
2	2-1/2	4	5	3-1/16	2-1/2	3	2-13/16	3-7/16
2	2-1/2	5	6	2-11/16	3	3-3/16	3-7/16	3-1/16
2	2-1/2	6	6	2-3/4	3-1/2	3-11/16	4-3/8	3
2	2-1/2	7	7	2-15/16	4-1/16	4-5/16	4-7/8	3-1/16
3	3	6	8	3-5/8	3-7/8	4-7/16	5-7/8	3-1/4

### NOTES:

1. All dimensions in inches.
2. Not for construction purposes unless certified.
3. Conduit box is shown in approximate location. Capacitor when furnished normally appears on top of motor. Dimensions are not specified as they vary with each motor manufacturer.
4. Dimensions may vary  $\pm 1/4$ "
5. Check discharge position, casing dimensions which exceed dimension "D" may require pads for the motor.

# AURORA® MODEL 321 PUMPS

## ON CAST IRON BASE

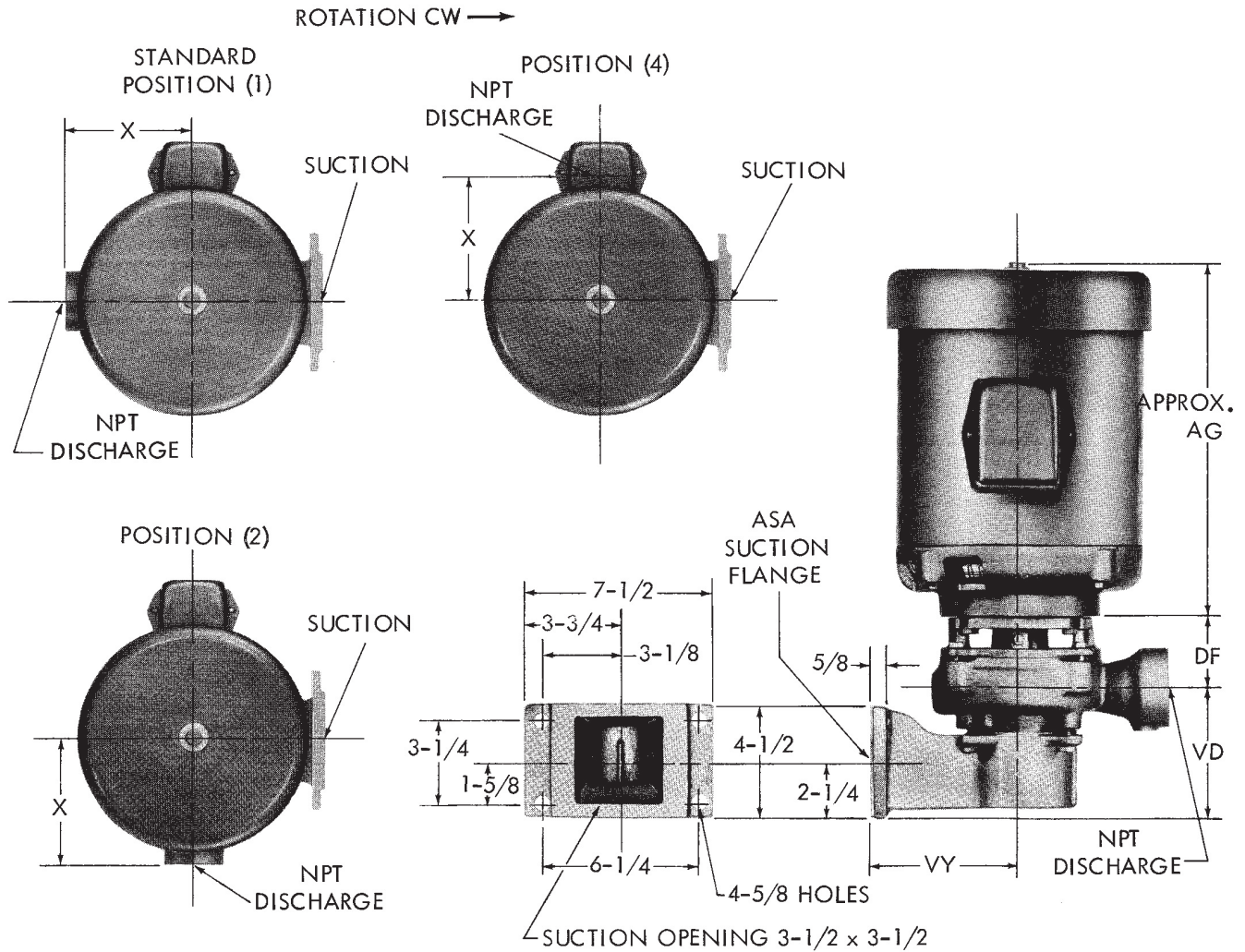


PUMP SIZE			X	Y	DC	DD	DE	DF	HL <sub>1</sub>	HL <sub>2</sub>
DISCH	SUCT	CASE BORE								
3/4	1	6	5-1/2	1-3/4	3-5/16	3-7/16	3-7/8	2-13/16	1-7/16	—
3/4	1	7	6-1/4	1-7/8	3-15/16	4	4-7/16	2-13/16	1-5/16	—
1	1-1/4	4	4-1/8	1-11/16	2-3/8	2-3/8	2-7/16	2-15/16	1-3/8	—
1	1-1/4	5	5	2	2-13/16	2-7/8	3	2-7/8	1-1/8	—
1	1-1/4	6	5-1/2	1-15/16	3-5/16	3-3/8	3-7/8	2-7/8	1-3/16	—
1-1/4	1-1/2	5	5	1-15/16	2-7/8	2-15/16	3-7/16	2-15/16	1-1/8	—
1-1/4	1-1/2	7A	6-1/4	2	4	4-1/16	4-1/2	2-15/16	1-1/16	—
1-1/4	1-1/2	7B	6-1/4	2-7/16	4	4-1/8	4-5/8	2-7/8	11/16	—
1-1/4	1-1/2	9	8	2-1/4	5-13/16	5-3/16	5-13/16	2-7/8	7/8	—
1-1/2	2	4	5	2-1/8	2-1/2	3	2-3/4	3-1/16	13/16	—
1-1/2	2	7	7	2-1/4	4-1/16	4-1/4	4-7/8	2-7/8	7/8	—
2	2-1/2	4	5	3-1/16	2-1/2	3	2-13/16	3-7/16	—	1/2
2	2-1/2	5	6	2-11/16	3	3-3/16	3-7/16	3-1/16	1/4	—
2	2-1/2	6	6	2-3/4	3-1/2	3-11/16	4-3/8	3	1/4	—
2	2-1/2	7	7	2-15/16	4-1/16	4-5/16	4-7/8	3-1/16	0	—
3	3	6	8	3-5/8	3-7/8	4-7/16	5-7/8	3-1/4	1/8	—

FRAME	AG	HD
56CZ	11	8
143TCZ	10	8
145TCZ	11	8
182TCZ	11	9
184TCZ	12	9

**NOTES:**

1. All dimensions in inches.
2. Not for construction purposes unless certified.
3. Conduit box is shown in approximate location. Capacitor when furnished normally appears on top of motor. Dimensions are not specified as they vary with each motor manufacturer.
4. Dimensions may vary ± 1/4"

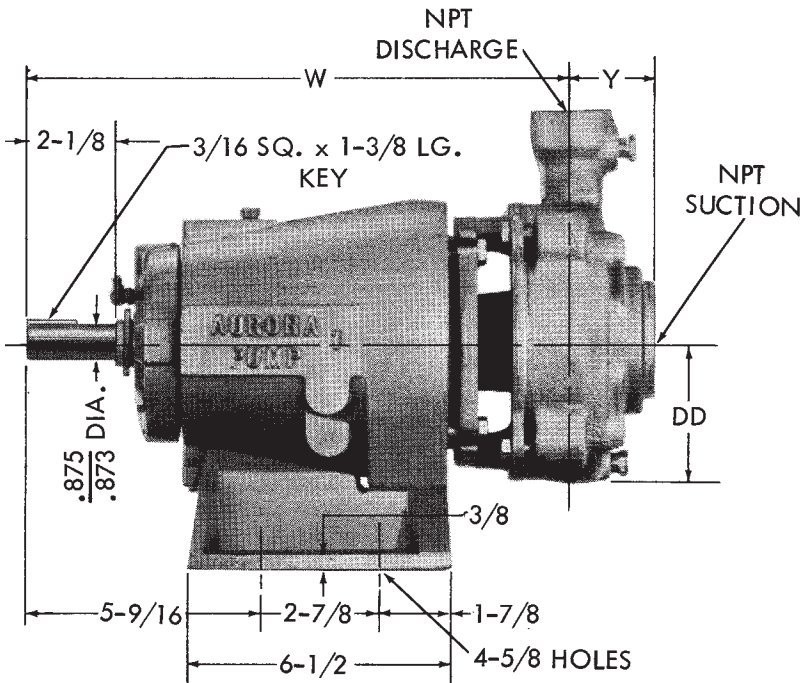


PUMP SIZE		X	DF	VD	VY
DISCH	CASE BORE				
3/4	6A	5-1/2	2-13/16	3-11/16	5
3/4	7	6-1/4	2-13/16	3-13/16	8-1/2
1	4	4-1/8	2-15/16	2-5/8	4
1	5	5	2-7/8	3-13/16	5
1	6	5-1/2	2-7/8	3-15/16	5
1-1/4	5	5	2-15/16	4	5
1-1/4	7B	6-1/4	2-7/16	4-5/16	8-1/2
1-1/4	7A	6-1/4	2-15/16	3-7/8	8-1/2
1-1/4	9	8	2-7/8	4-3/16	8-1/2
1-1/2	4	5	3-1/16	4-15/16	6
1-1/2	7	7	2-7/8	5	6
2	4	5	3-7/16	5-3/8	6
2	5	6	3-1/16	5-3/16	6
2	6	6	3	5-1/4	6
2	7	7	3-1/16	5-1/8	6
3	6	8	3-1/4	7-13/16	8-1/2

FRAME	AG APPROX.
56CZ	11
143TCZ	10
145TCZ	11
182TCZ	11
184TCZ	12

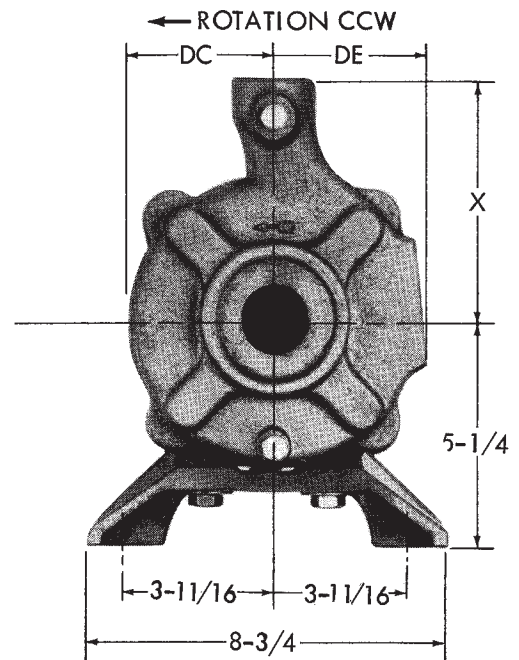
**NOTES:**

1. All dimensions in inches.
2. Not for construction purposes unless certified.
3. Conduit box is shown in approximate location. Capacitor when furnished normally appears on top of motor. Dimensions are not specified as they vary with each motor manufacturer.
4. Dimensions may vary ± 1/4"



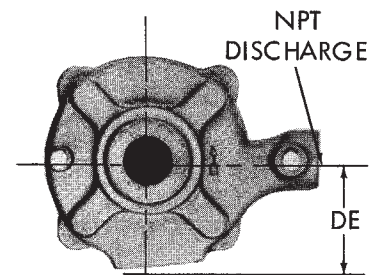
**NOTES**

1. ALL DIMENSIONS IN INCHES.
2. NOT FOR CONSTRUCTION PURPOSES UNLESS CERTIFIED.
3. DIMENSIONS MAY VARY  $\pm 1/4$ .
4. CHECK DISCHARGE POSITION, CASING DIMENSIONS WHICH EXCEED DIMENSION 5-1/4 MAY REQUIRE PADS FOR THE MOTOR.

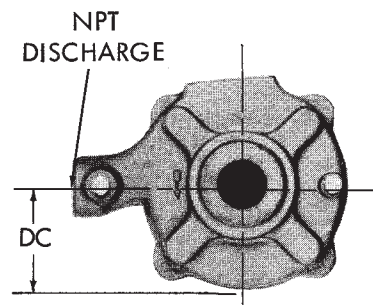


STANDARD POSITION (1)

OPTIONAL DISCHARGE POSITIONS



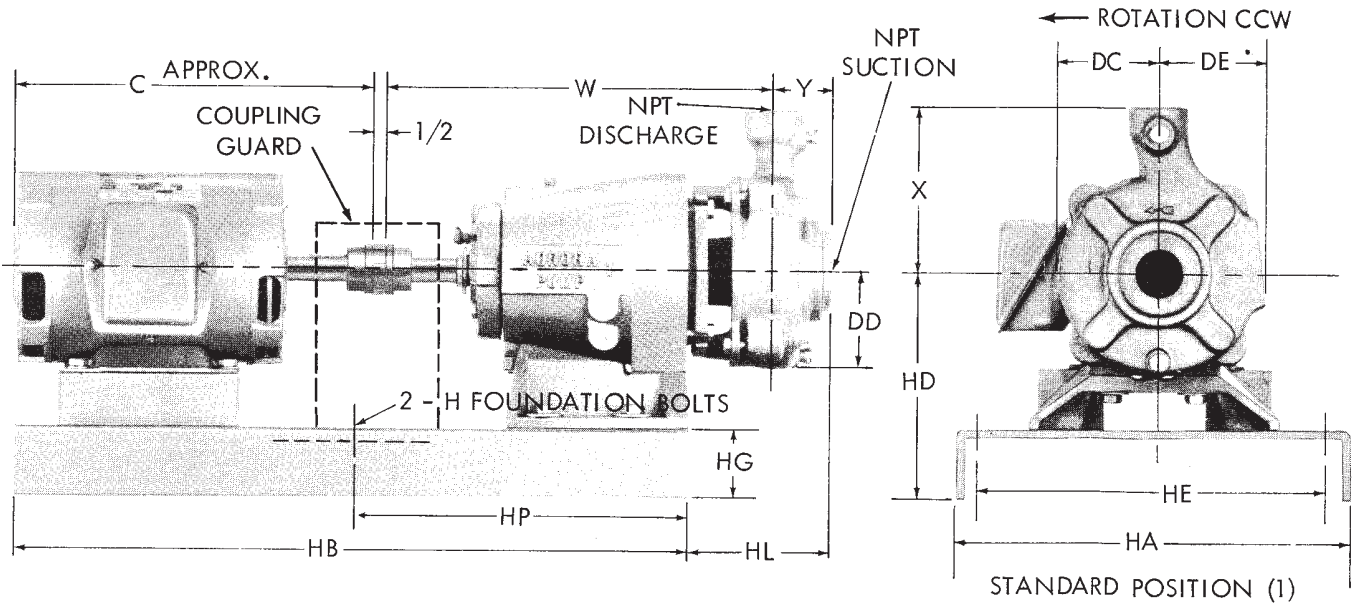
POSITION (2)



POSITION (4)

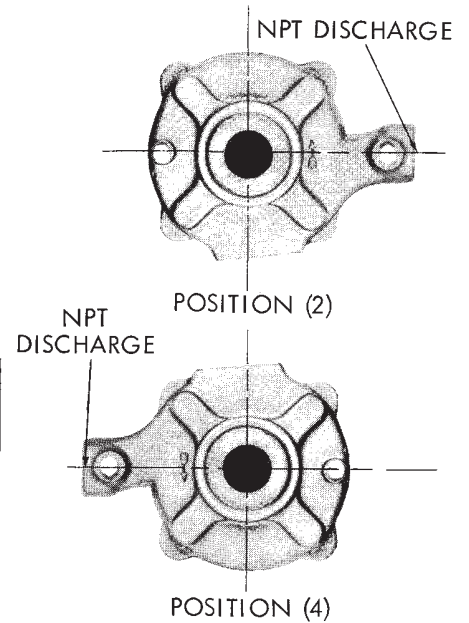
PUMP SIZE			W	X	Y	DC	DD	DE
DISCHARGE	SUCTION	CASE BORE						
3/4	1	6A	13 1/8	5 1/2	1 3/4	3 5/16	3 7/16	3 7/8
3/4	1	7	13 3/8	6 1/4	1 7/8	3 15/16	4	4 7/16
1	1 1/4	4	13 1/4	4 1/8	1 11/16	2 3/8	2 3/8	2 7/16
1	1 1/4	5	13 3/16	5	2	2 13/16	2 7/8	3
1	1 1/4	6	13 3/16	5 1/2	1 15/16	3 5/16	3 3/8	3 7/8
1 1/4	1 1/2	5	13 1/4	5	1 15/16	2 7/8	2 15/16	3 7/16
1 1/4	1 1/2	7A	13 1/4	6 1/4	2	4	4 1/16	4 1/2
1 1/4	1 1/2	7B	13 3/16	6 1/4	2 7/16	4	4 1/8	4 5/8
1 1/4	1 1/2	9	13 3/16	8	2 1/4	5 13/16	5 3/16	5 13/16
1 1/2	2	4	13 3/8	5	2 1/8	2 1/2	3	2 3/4
1 1/2	2	7	13 3/16	7	2 1/4	4 1/16	4 1/4	4 7/8
2	2 1/2	4	13 3/4	5	3 1/16	2 1/2	3	2 13/16
2	2 1/2	5	13 3/8	6	2 11/16	3	3 3/16	3 7/16
2	2 1/2	6	13 5/16	6	2 3/4	3 1/2	3 11/16	4 3/8
2	2 1/2	7	13 3/8	7	2 15/16	4 1/16	4 5/16	4 7/8
3	3	6	13 1/2	8	3 5/8	3 7/8	4 7/16	5 7/8

# AURORA® MODEL 324A PUMPS ON STEEL BASE



FRAME	C APPROX.	H	HA	HB	HD	HE	HG	HP
48	10	3/8	9	21	7 11/16	7	2 7/16	10 1/2
56	12	3/8	9	21	7 11/16	7	2 7/16	10 1/2
143T	12	3/8	9	21	7 11/16	7	2 7/16	10 1/2
145T	13	3/8	9	21	7 11/16	7	2 7/16	10 1/2
182T	13	1/2	10	24	7 7/8	7	2 3/8	12
184T	14	1/2	10	24	7 7/8	7	2 3/8	12
213T	16	1/2	12	27	8 1/4	9	3	13 1/2

PUMP SIZE			W	X	Y	DC	DD	DE	HL
DISCHARGE	SUCTION	CASE BORE							
3/4	1	6A	13 3/8	5 1/2	1 3/4	3 5/16	3 7/16	3 3/8	4 9/16
3/4	1	7	13 3/8	6 1/4	1 7/8	3 15/16	4	4 7/16	4 11/16
1	1 1/4	4	13 1/4	4 1/8	1 11/16	2 3/8	2 3/8	2 7/16	4 5/8
1	1 1/4	5	13 3/16	5	2	2 13/16	2 7/8	3	4 7/8
1	1 1/4	6	13 3/16	5 1/2	1 15/16	3 5/16	3 3/8	3 3/8	4 13/16
1 1/4	1 1/2	5	13 1/4	5	1 15/16	2 7/8	2 15/16	3 7/16	4 7/8
1 1/4	1 1/2	7A	13 1/4	6 1/4	2	4	4 1/16	4 1/2	4 15/16
1 1/4	1 1/2	7B	13 3/16	6 1/4	2 7/16	4	4 1/8	4 3/8	5 5/16
1 1/4	1 1/2	9	13 3/16	8	2 1/4	5 13/16	5 3/16	5 13/16	5 1/8
1 1/2	2	4	13 3/8	5	2 1/8	2 1/2	3	2 3/4	5 3/16
1 1/2	2	7	13 3/16	7	2 1/4	4 1/16	4 1/4	4 7/8	5 1/8
2	2 1/2	4	13 3/4	5	3 1/16	2 1/2	3	2 13/16	6 1/2
2	2 1/2	5	13 3/8	6	2 11/16	3	3 3/16	3 7/16	5 3/4
2	2 1/2	6	13 5/16	6	2 3/4	3 1/2	3 11/16	4 3/8	5 3/4
2	2 1/2	7	13 3/8	7	2 15/16	4 1/16	4 5/16	4 7/8	6
3	3	6	13 1/2	8	3 5/8	3 7/8	4 7/16	5 7/8	6 13/16

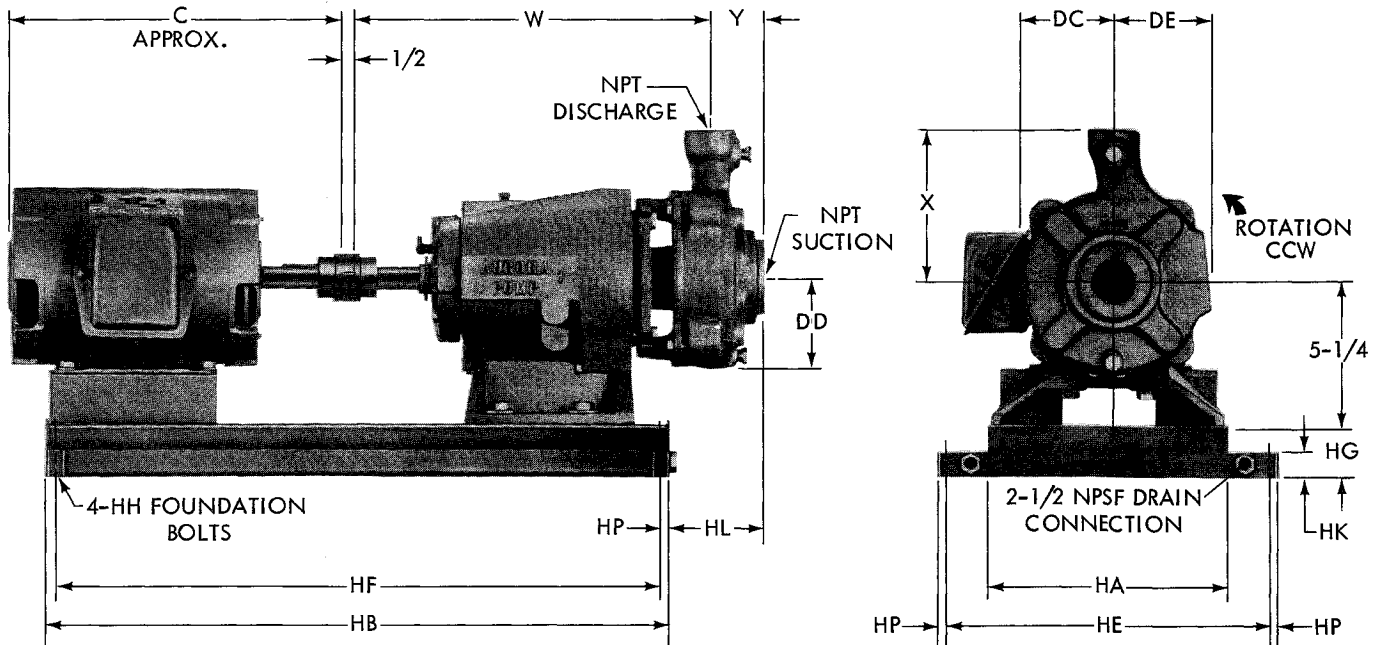


**NOTES**

1. ALL DIMENSIONS IN INCHES.
2. DIMENSIONS MAY VARY ± 3/8.
3. NOT FOR CONSTRUCTION PURPOSES UNLESS CERTIFIED.
4. CONDUIT BOX SHOWN IN APPROXIMATE LOCATION. CAPACITOR, WHEN FURNISHED, NORMALLY APPEARS ON TOP OF MOTOR. DIMENSIONS ARE NOT SPECIFIED AS THEY VARY WITH EACH MOTOR MANUFACTURER.

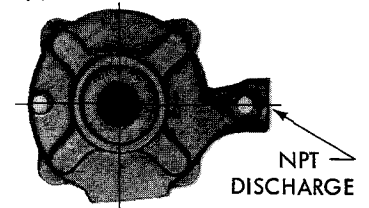
# AURORA® MODEL 324A PUMPS ON STEEL DRIP RIM BASES

Section **320** Page **301**  
Dated **JUNE 2013**  
Supersedes **JUNE 1994**

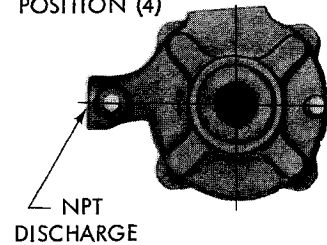


FRAME	C APPROX.	BASE SIZE	HH	HA	HB	HE	HG	HK	HF	HP
48	10	9 x 22	3/8	9	22-1/2	13-3/4	3	1-1/2	21-1/4	5/8
56	12	9 x 22	3/8	9	22-1/2	13-3/4	3	1-1/2	21-1/4	5/8
143T	12	9 x 22	3/8	9	22-1/2	13-3/4	3	1-1/2	21-1/4	5/8
145T	13	9 x 26	3/8	9	26-1/2	13-3/4	3	1-1/2	25-1/4	5/8
182T	13	9 x 26	3/8	9	26-1/2	13-3/4	3	1-1/2	25-1/4	5/8
184T	14	9 x 26	3/8	9	26-1/2	13-3/4	3	1-1/2	25-1/4	5/8
213T	16	11 x 30	1/2	11	30-1/2	15-7/8	3	1-1/2	29-1/8	11/16

POSITION (2)



POSITION (4)



PUMP SIZE		CASE BORE	W	X	Y	DC	DD	DE	HL
DISCH	SUCT								
3/4	1	6A	13-1/8	5-1/2	1-3/4	3-5/16	3-7/16	3-7/8	3-1/16
3/4	1	7	13-1/8	6-1/4	1-7/8	3-15/16	4	4-7/16	3-3/16
1	1-1/4	4	13-1/4	4-1/8	1-11/16	2-3/8	2-3/8	2-7/16	3-1/8
1	1-1/4	5	13-3/16	5	2	2-13/16	2-7/8	3	3-3/8
1	1-1/4	6	13-3/16	5-1/2	1-15/16	3-5/16	3-3/8	3-7/8	3-5/16
1-1/4	1-1/2	5	13-1/4	5	1-15/16	2-7/8	2-15/16	3-7/16	3-3/8
1-1/4	1-1/2	7A	13-1/4	6-1/4	2	4	4-1/16	4-1/2	3-7/16
1-1/4	1-1/2	7B	13-3/16	6-1/4	2-7/16	4	4-1/8	4-5/8	3-13/16
1-1/4	1-1/2	9	13-3/16	8	2-1/4	5-13/16	5-3/16	5-13/16	4-5/8
1-1/2	2	4	13-3/8	5	2-1/8	2-1/2	3	2-3/4	3-11/16
1-1/2	2	7	13-3/16	7	2-1/4	4-1/16	4-1/4	4-7/8	3-5/8
2	2-1/2	4	13-3/4	5	3-1/16	2-1/2	3	2-13/16	5
2	2-1/2	5	13-3/8	6	2-11/16	3	3-3/16	3-7/16	4-1/4
2	2-1/2	6	13-5/16	6	2-3/4	3-1/2	3-11/16	4-3/8	4-1/4
2	2-1/2	7	13-3/8	7	2-15/16	4-1/16	4-5/16	4-7/8	4-1/2
3	3	6	13-1/2	8	3-5/8	3-7/8	4-7/16	5-7/8	5-5/16

**NOTES:**

1. All Dimensions in inches.
2. Dimensions may vary  $\pm 3/8$ .
3. Not for construction purposes unless certified.
4. Conduit box shown in approximate location. Capacitor, when furnished, normally appears on top of motor. Dimensions are not specified as they vary with each motor manufacturer.