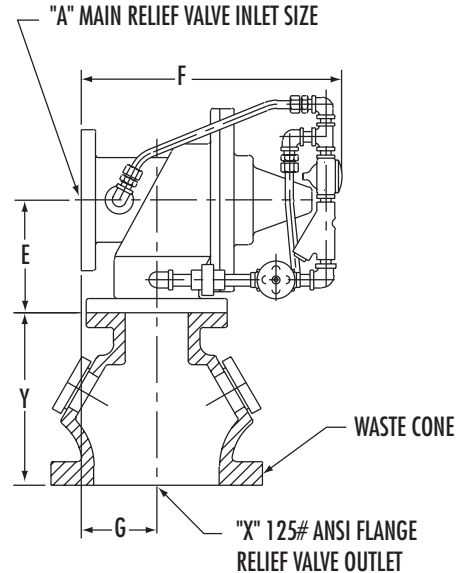
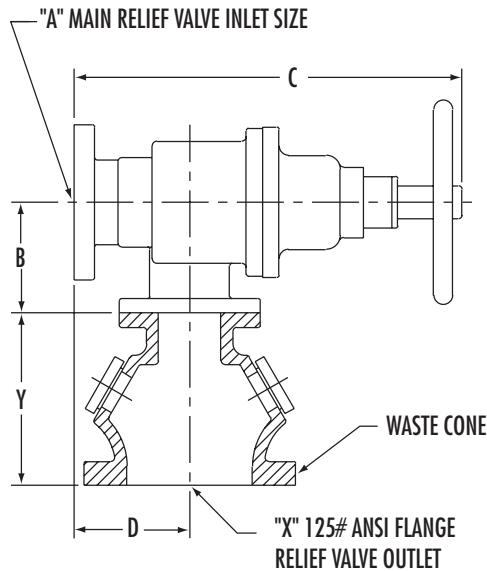


# AURORA® FIRE PUMPS

## OPTION 79 - MAIN RELIEF VALVE

## OPTION 80 - WASTE CONE



**Spring-Operated Main Relief Valve**

- 125# INLET FLANGE
- 250# INLET FLANGE

**Enclosed Waste Cone**

**Pilot-Operated Main Relief Valve**

- 125# INLET FLANGE
- 250# INLET FLANGE

**Enclosed Waste Cone**

PUMP RATING G.P.M.	A	INLET FLANGE RATING	SPRING-OPERATED MAIN RELIEF VALVE			PILOT OPERATED MAIN RELIEF VALVE			WASTE CONE VALVE	
			B	C	D	E	F	G	X	Y
250 500	3	125#	5-7/8 (149)	21-1/4 (540)	6-1/8 (155)	6 (152)	14-7/8 (378)	4 (102)	5	11 (279)
		250#				6 (152)	15-1/4 (387)	4-3/8 (111)		
750 1000	4	125#	6-7/16 (163)	22-5/8 (575)	6-5/8 (168)	7-5/8 (194)	16-15/16 (430)	5-1/16 (129)	6	11 (279)
		250#				7-15/16 (202)	17-1/4 (438)	5-3/8 (137)		
1250 1500 2000 2500	6	125#	8-1/2 (216)	36 (914)	9-3/8 (238)	10 (254)	19-7/8 (505)	6 (152)	8	14 (356)
		250#				10 (254)	20-3/8 (518)	6-1/2 (195)		
3000 3500	8	125#	Not Available			12-3/4 (324)	22-7/8 (581)	8 (203)	12	12 (305)
		250#				12-3/4 (324)	22-7/8 (581)	8-1/2 (216)		
4000 4500 5000	8	125#	Not Available			12-3/4 (324)	22-7/8 (581)	8 (203)	14	22-1/4 (565)
		250#				12-3/4 (324)	22-7/8 (581)	8-1/2 (216)		

**NOTES:**

1. All dimensions are in inches (mm) and may vary ± 1/4 (6).
2. Valves are available with inlet flange ratings of 125# or 250#. All waste cones have 125# flange ratings.
3. Dimensions for conventional relief valves are not affected by flange rating.
4. Relief valve discharge is intended to be piped to waste. Refer to factory if discharge is to be piped to a line where back pressure is present.
5. Maximum operating pressure for valves rated for 125# is 175 PSI.
6. Maximum operating pressure for valves rated for 250# is 300 PSI.