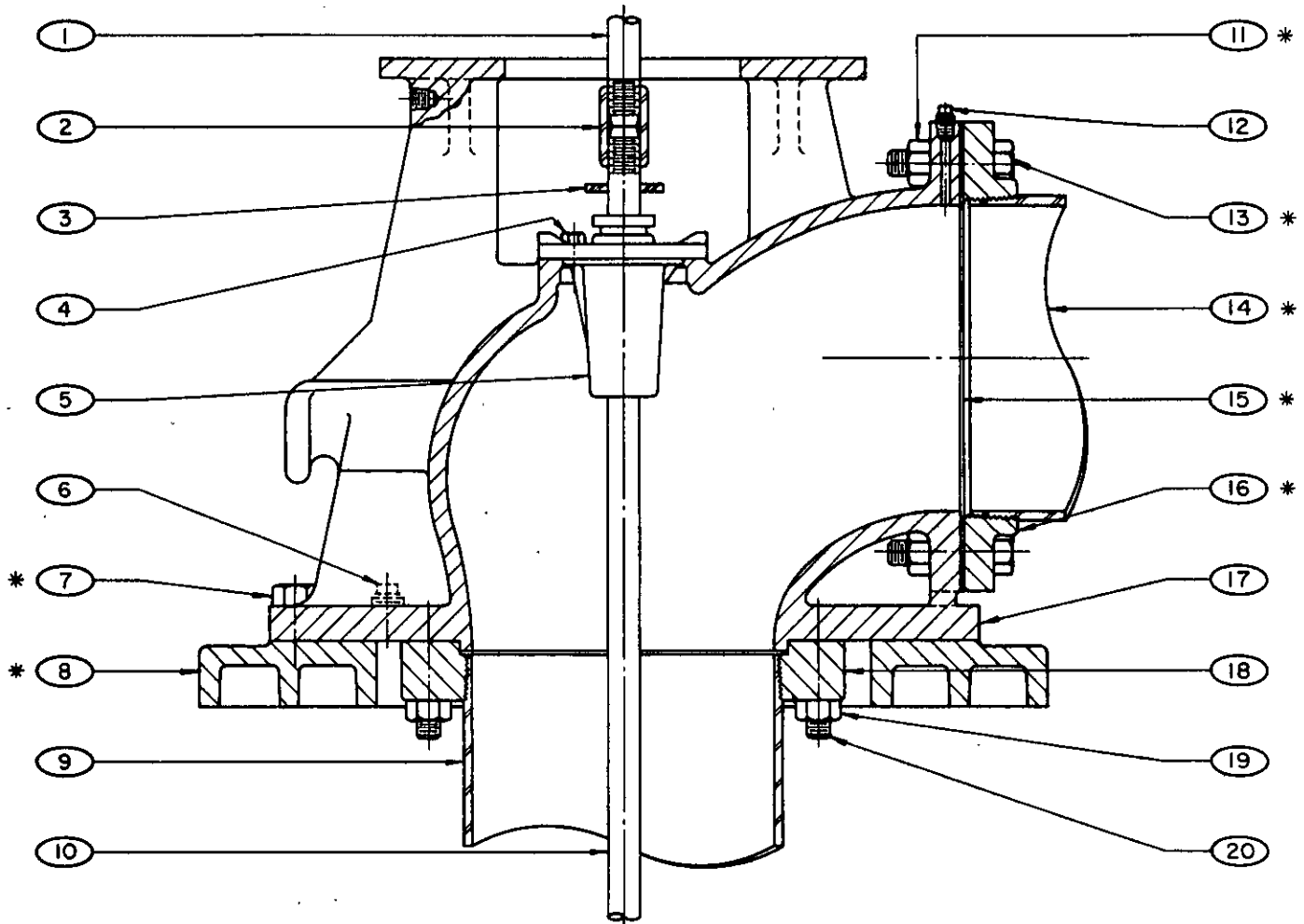




TYPE TL1625 DISCHARGE HEAD

OPEN LINE SHAFT

LAYNE & BOWLER, INC. MEMPHIS, TENNESSEE



* NOT FURNISHED UNLESS SPECIFIED BY CUSTOMER

ITEM NO.	DESCRIPTION
1	MOTOR DRIVE SHAFT
2	HEAD COUPLING
3	WATER SLINGER
4	CAPSCREW (STUFFING BOX)
5	STUFFING BOX (ASSEMBLY)
6	PIPE PLUG, AUXILIARY OPENING
7	CAPSCREW (HEAD TO BASE)
8	BASE PLATE
9	TOP COLUMN PIPE
10	LINE SHAFT, TOP PIECE

ITEM NO.	DESCRIPTION
11	HEX NUT, COMPANION FLANGE
12	PIPE PLUG, PRESSURE GAUGE
13	MACHINE BOLT, COMPANION FLG.
14	DISCHARGE PIPE
15	GASKET, COMPANION FLANGE
16	COMPANION FLANGE
17	DISCHARGE HEAD
18	TOP COLUMN FLANGE
19	HEX NUT
20	STUD

IN ORDERING REPLACEMENT PARTS, SPECIFY PART DESCRIPTION & PUMP SERIAL NO.