



MODEL 421 SERIES

TWO STAGE HORIZONTAL SPLIT CASE PUMPS

# DIMENSION DATA GUIDE

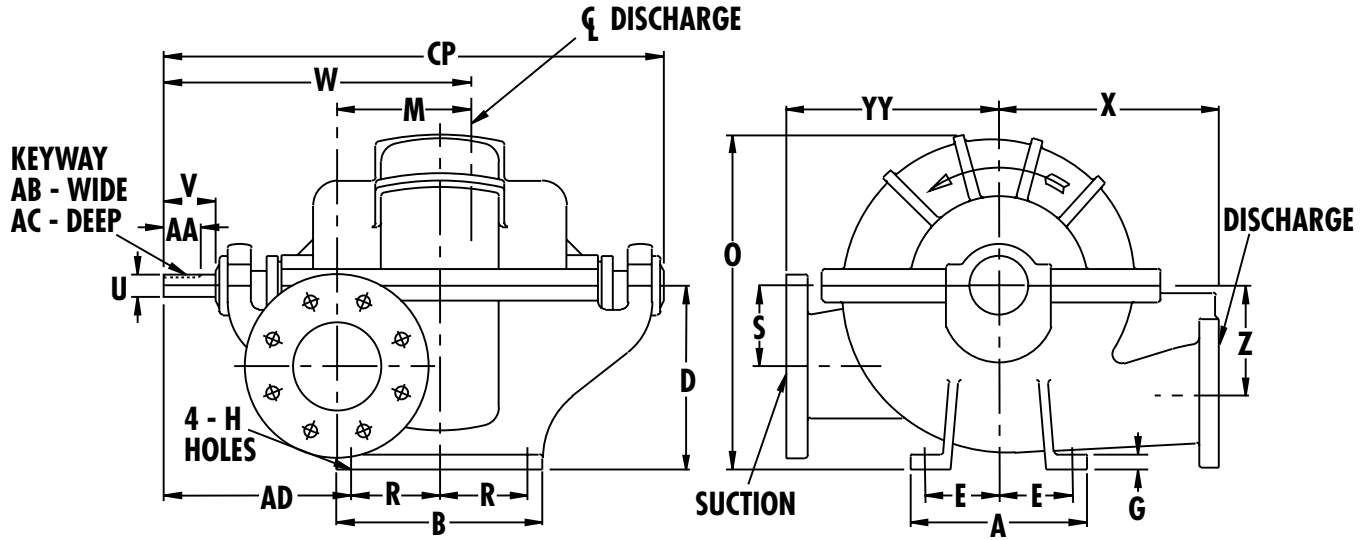
[pentair.com](https://www.pentair.com)

# TABLE OF CONTENTS

---

<b>SECTION.....</b>	<b>PAGE</b>
421 Pump (RH) .....	3
421 Pump (LH).....	4
423 Pump (RH) .....	5
423 Pump (LH) .....	6
421 Pumps On Steel Base Right Hand Pump .....	7
421 Pumps On Steel Base Left Hand Pump .....	8
421 Pumps On Steel Drip Rim Base Right Hand Pump.....	9
421 Pumps On Steel Drip Rim Base Left Hand Pump.....	10

# 421 PUMP (RH)



**NOTES**

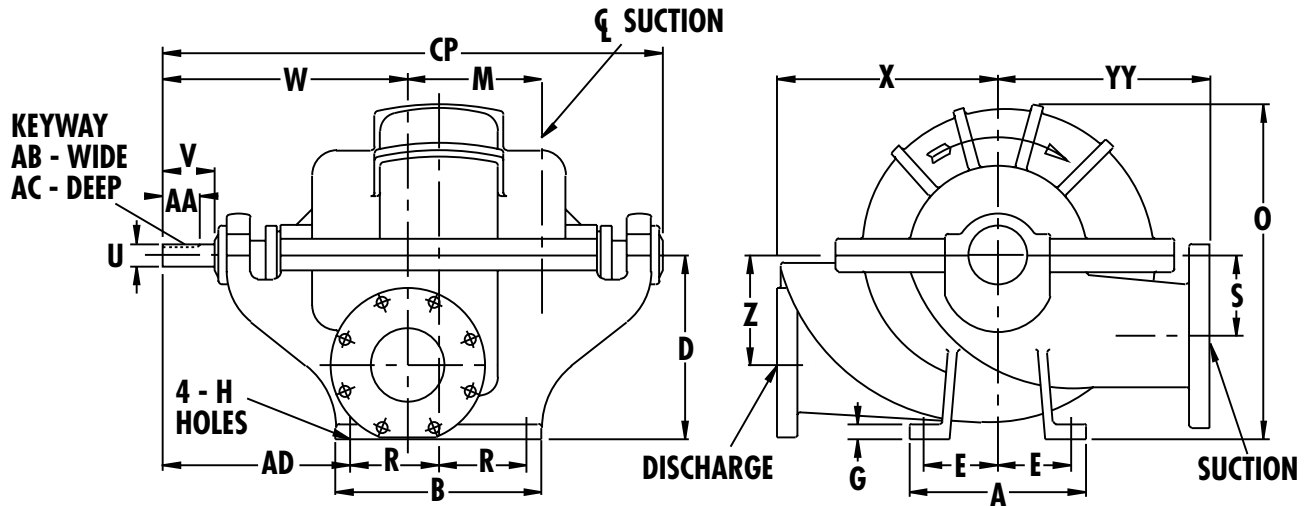
1. All dimensions are in inches (mm).
2. Dimensions may vary  $\pm 3/8"$  (10).
3. Not for construction purposes unless certified.
4. Suction & discharge flanges - American Standard flat face.
5. \*5x5x12 and 6x6x12 Standard 150# Suction Flanges & 300# Discharge Flanges.
6. †5x5x12 and 6x6x12 Opt. 300# Flanges.

STD. 125# SUCTION FLANGES & 250# DISCHARGE FLANGES*	OPT. 250# FLANGES†
---	--------------------

## RIGHT HAND PUMP DIMENSIONS

PUMP SIZE				A	B	D	E	G	H	M	O	R	S	U	V	W	X	Z	AA	AB	AC	AD	CP	YY
DISCH	SUCTION	CASE BORE	POWER SERIES																					
2	2-1/2	12	2	8 (203)	10 (254)	9 (229)	3-1/2 (89)	3/4 (19)	5/8 (16)	4-3/4 (121)	19 (483)	4 (102)	4 (102)	1-1/8 (29)	2-3/4 (70)	15-3/4 (400)	10 (254)	5-1/2 (140)	2 (51)	1/4 (6)	1/8 (3)	10-1/2 (268)	26-1/4 (667)	10-1/4 (260)
2-1/2	3	12	2	8 (203)	10 (254)	9 (229)	3-1/2 (89)	3/4 (19)	5/8 (16)	5-3/8 (137)	19 (483)	4 (102)	4 (102)	1-1/8 (29)	2-3/4 (70)	15-7/8 (403)	11 (279)	5-1/2 (140)	2 (51)	1/4 (6)	1/8 (3)	10-1/2 (268)	26-1/4 (667)	11 (279)
3	4	14	3	10 (254)	12 (305)	10 (254)	4-1/4 (108)	7/8 (22)	3/4 (19)	6-3/4 (171)	21 (533)	5 (127)	4-1/2 (114)	1-3/8 (35)	3 (76)	18-3/4 (476)	12 (305)	6 (152)	2 (51)	3/8 (10)	3/16 (5)	12 (305)	31 (787)	12-3/8 (314)
4	5	15	3	10 (254)	12 (305)	11 (279)	4-1/4 (108)	7/8 (22)	3/4 (19)	7-1/8 (181)	23 (584)	5 (127)	5 (127)	1-3/8 (35)	3 (76)	18-7/8 (479)	13 (330)	6-1/2 (165)	2 (51)	3/8 (10)	3/16 (5)	12 (305)	31 (787)	13-1/2 (343)
5	5	12	4A	15 (381)	16 (305)	14 (356)	6-1/2 (165)	1 (25)	7/8 (22)	6-5/8 (168)	24-1/4 (616)	7 (178)	7 (178)	1-1/2 (38)	3-5/8 (92)	20-7/8 (530)	13 (330)	7 (178)	2-1/2 (64)	3/8 (10)	3/16 (5)	12-1/2 (318)	35-3/8 (899)	13 (330)
5	6	15	4	12 (305)	14 (356)	12-1/2 (318)	5 (127)	1 (25)	7/8 (22)	9-1/8 (232)	24-1/2 (622)	6 (152)	5-1/2 (140)	1-1/2 (38)	3-1/2 (89)	21-1/8 (537)	15 (381)	7-1/2 (191)	2 (51)	3/8 (10)	3/16 (5)	13 (330)	34-1/2 (876)	15-7/16 (392)
6	6	12	5A	16 (406)	19 (483)	15 (381)	7 (178)	1 (25)	7/8 (22)	7-1/2 (667)	26-1/4 (667)	8-1/2 (216)	8 (203)	1-3/4 (44)	4 (102)	22-7/8 (581)	14 (356)	8 (203)	2-3/4 (70)	3/8 (10)	3/16 (5)	12-3/4 (324)	38-1/2 (978)	14 (356)
6	8	17	5	12 (305)	14 (356)	14-3/4 (375)	5 (127)	1 (25)	7/8 (22)	11 (279)	28-1/4 (718)	6 (152)	7 (178)	1-3/4 (44)	4 (102)	24-1/2 (622)	16 (406)	9 (229)	2-7/8 (73)	3/8 (10)	3/16 (5)	15 (381)	38 (965)	16-1/2 (419)

# 421 PUMP (LH)



**NOTES**

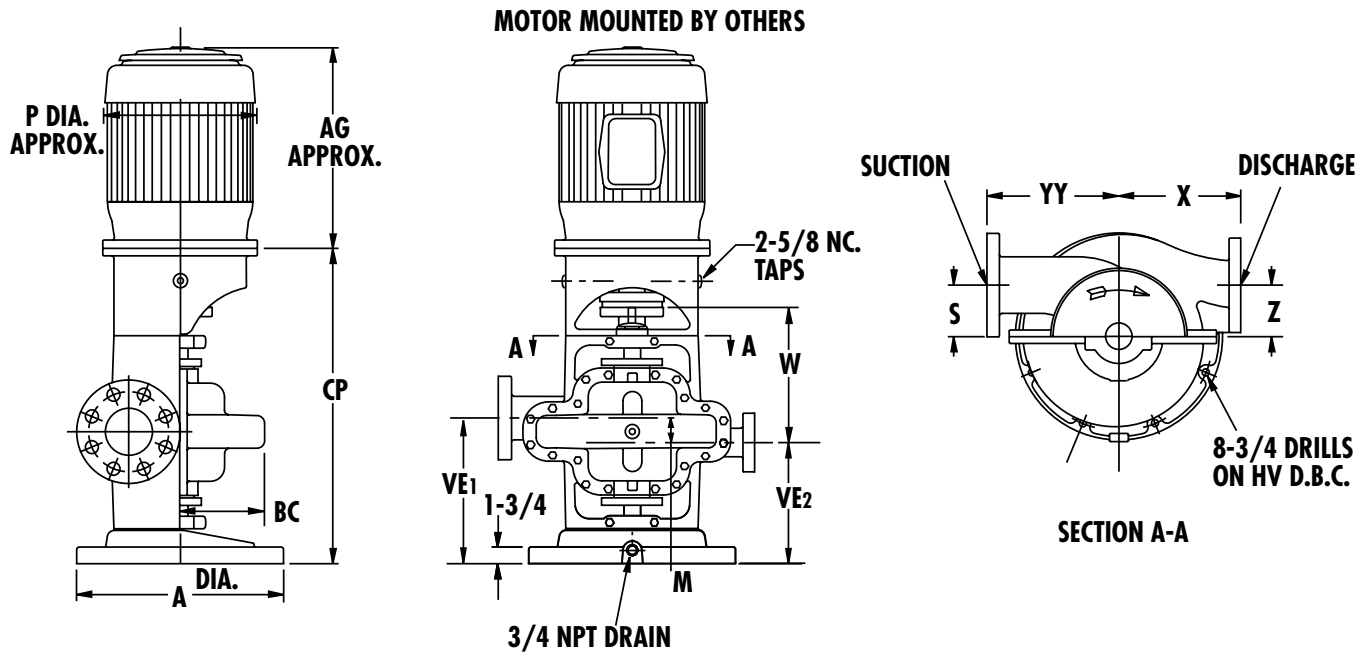
1. All dimensions are in inches (mm).
2. Dimensions may vary  $\pm 3/8"$  (10).
3. Not for construction purposes unless certified.
4. Discharge and suction flanges - American standard flat face.
5. \*5x5x12 and 6x6x12 Standard 150# Suction Flanges & 300# Discharge Flanges.
6. †5x5x12 and 6x6x12 Opt. 300# Flanges.

STD. 125# SUCTION FLANGES & 250# DISCHARGE FLANGES*	OPT. 250# FLANGES†
---	--------------------

## LEFT HAND PUMP DIMENSIONS

PUMP SIZE			POWER SERIES	A	B	D	E	G	H	M	O	R	S	U	V	W	X	Z	AA	AB	AC	AD	CP	YY
DISCH	SUCTION	CASE BORE		(203)	(254)	(229)	(89)	(19)	(16)	(121)	(483)	(102)	(102)	(29)	(70)	(337)	(254)	(140)	(51)	(51)	(6)	(3)	(268)	(667)
2	2-1/2	12	2	8	10	9	3-1/2	3/4	5/8	4-3/4	19	4	4	1-1/8	2-3/4	13-1/4	10	5-1/2	2	1/4	1/8	10-1/2	26-1/4	10-1/4
2-1/2	3	12	2	8	10	9	3-1/2	3/4	5/8	5-3/8	19	4	4	1-1/8	2-3/4	13-1/8	11	5-1/2	2	1/4	1/8	10-1/2	26-1/4	11
3	4	14	3	10	12	10	4-1/4	7/8	3/4	6-3/4	21	5	4-1/2	1-3/8	3	15-1/4	12	6	2	3/8	3/16	12	31	12-3/8
4	5	15	3	10	12	11	4-1/4	7/8	3/4	7-1/8	23	5	5	1-3/8	3	15-1/8	13	6-1/2	2	3/8	3/16	12	31	13-1/2
5	5	12	4A	15	16	14	6-1/2	1	7/8	6-5/8	24-1/4	7	7	1-1/2	3-5/8	18-1/8	13	7	2-1/2	3/8	3/16	12-1/2	35-3/8	13
5	6	15	4	12	14	12-1/2	5	1	7/8	9-1/8	24-1/2	6	5-1/2	1-1/2	3-1/2	16-7/8	15	7-1/2	2	3/8	3/16	13	34-1/2	15-7/16
6	6	12	5A	16	19	15	7	1	7/8	7-1/2	26-1/4	8-1/2	8	1-3/4	4	19-5/8	14	8	2-3/4	3/8	3/16	12-3/4	38-1/2	14
6	8	17	5	12	14	14-3/4	5	1	7/8	11	28-1/4	6	7	1-3/4	4	17-1/2	16	9	2-7/8	3/8	3/16	15	38	16-1/2

# 423 PUMP (RH)



**NOTES**

1. All dimensions are in inches (mm).
2. Dimensions may vary  $\pm 3/8"$  (10).
3. Not for construction purposes unless certified.
4. Coupling gap may vary  $1/8"$  to  $1"$ .
5. Conduit box is shown in approximate location. Dimensions are not specified as they vary with each motor manufacturer.
6. Discharge and suction flanges - American Standard flat face.

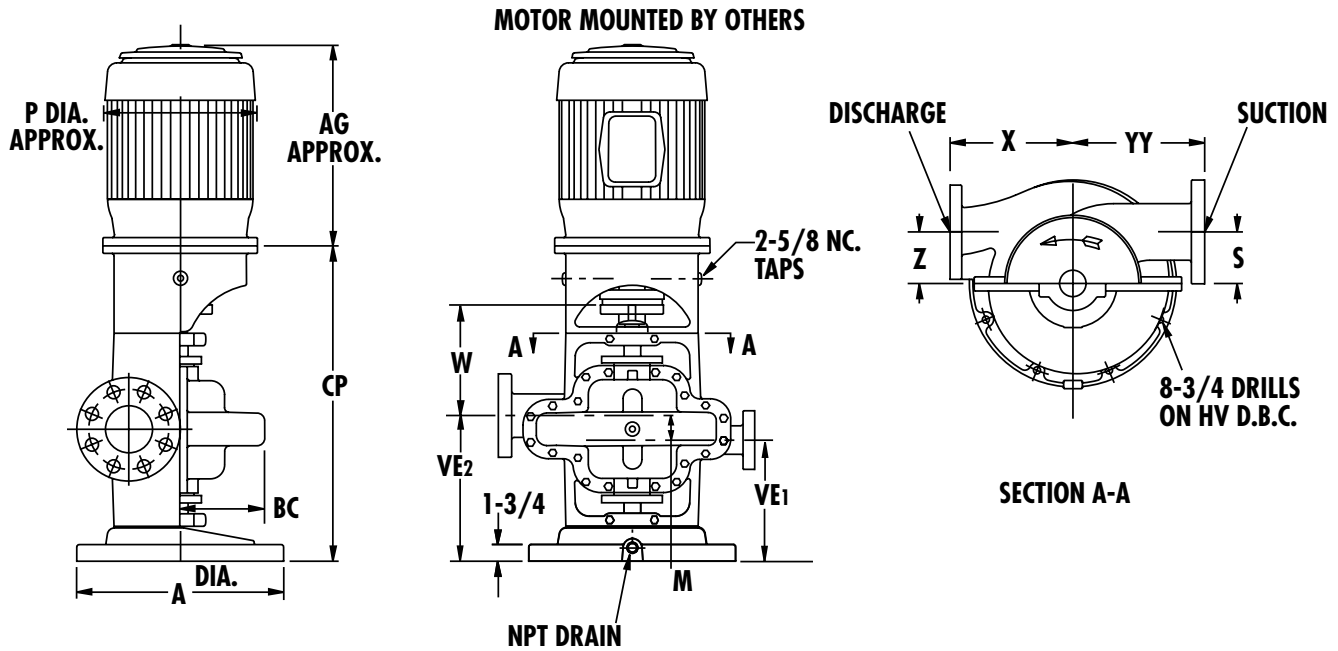
STD. 125# SUCTION FLANGES & 250# DISCHARGE FLANGES	OPT. 250# FLANGES
--	-------------------

## RIGHT HAND PUMP DIMENSIONS

PUMP SIZE		CASE BORE	POWER SERIES	A	M	S	W	Z	BC	CP		HV	VE <sub>1</sub>	VE <sub>2</sub>	X	YY
DISCH	SUCTION									143HP-256HP	284HPH-404HP					
2	2-1/2	12	2	18 (457)	4-3/4 (121)	4 (102)	15-3/4 (400)	5-1/2 (140)	10 (254)	32-1/8 (816)	34 (864)	16-1/4 (413)	17-5/8 (448)	12-7/8 (327)	10 (254)	10-1/4 (260)
2-1/2	3	12	2	18 (457)	5-3/8 (137)	4 (102)	15-7/8 (403)	5-1/2 (140)	10 (254)	32-1/8 (816)	34 (864)	16-1/4 (413)	18-1/8 (460)	12-3/4 (324)	11 (279)	11 (279)
3	4	14	3	22 (559)	6-3/4 (171)	4-1/2 (114)	18-3/4 (476)	6 (152)	11 (279)	37-3/8 (949)	39-3/4 (1010)	20 (508)	21-1/2 (546)	14-3/4 (375)	12 (305)	12-3/8 (314)

Frame	143 HP	145 HP	182 HP	184 HP	213 HP	215 HP	254 HP	256 HP	284 HP	286 HP	324 HP	326 HP	364 HP	365 HP	404 HP
P	8	8	10	10	11	11	13	13	16	16	18	18	20	20	22
AG	11	12	13	14	16	18	20	22	23	24	25	27	32	32	35

# 423 PUMP (LH)



### NOTES

1. All dimensions are in inches (mm).
2. Dimensions may vary  $\pm 3/8"$  (10).
3. Not for construction purposes unless certified.
4. Coupling gap may vary  $1/8"$  to  $1"$ .
5. Conduit box is shown in approximate location. Dimensions are not specified as they vary with each motor manufacturer.
6. Discharge and suction flanges - American Standard flat face.

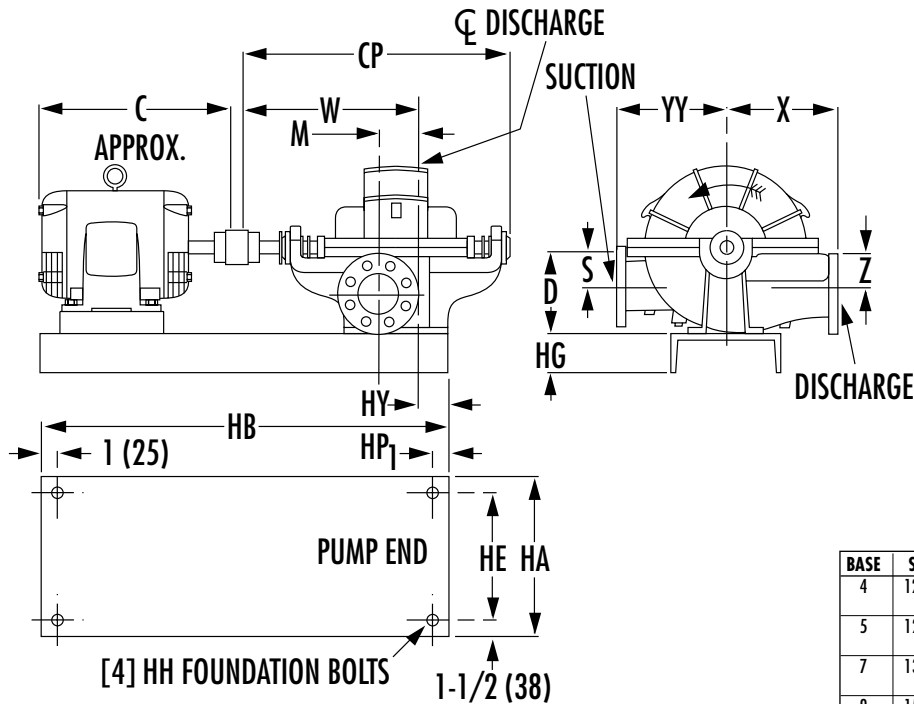
STD. 125# SUCTION FLANGES & 250# DISCHARGE FLANGES	OPT. 250# FLANGES
--	-------------------

## LEFT HAND PUMP DIMENSIONS

PUMP SIZE			POWER SERIES	A	M	S	W	Z	BC	CP		HV	VE <sub>1</sub>	VE <sub>2</sub>	X	YY
DISCH	SUCTION	CASE BORE								143HP-256HP	284HPH-404HPH					
2	2-1/2	12	2	18 (457)	4-3/4 (121)	4 (102)	13-1/4 (349)	5-1/2 (140)	10 (254)	32-1/8 (816)	34 (864)	16-1/4 (413)	10-5/8 (270)	15-3/8 (391)	10 (254)	10-1/4 (260)
2-1/2	3	12	2	18 (457)	5-3/8 (137)	4 (102)	13-1/8 (340)	5-1/2 (140)	10 (254)	32-1/8 (816)	34 (864)	16-1/4 (413)	10-1/8 (257)	15-1/2 (394)	11 (279)	11 (279)
3	4	14	3	22 (559)	6-3/4 (171)	4-1/2 (114)	15-1/4 (387)	6 (152)	11 (279)	37-3/8 (949)	39-3/4 (1010)	20 (508)	11-1/2 (292)	18-1/4 (464)	12 (305)	12-3/8 (314)

Frame	143 HP	145 HP	182 HP	184 HP	213 HP	215 HP	254 HP	256 HP	284 HPH	286 HPH	324 HP	326 HP	364 HP	365 HP	404 HP
P	8	8	10	10	11	11	13	13	16	16	18	18	20	20	22
AG	11	12	13	14	16	18	20	22	23	24	25	27	32	32	35

# 421 PUMPS ON STEEL BASE RIGHT HAND PUMP



## RIGHT HAND PUMP

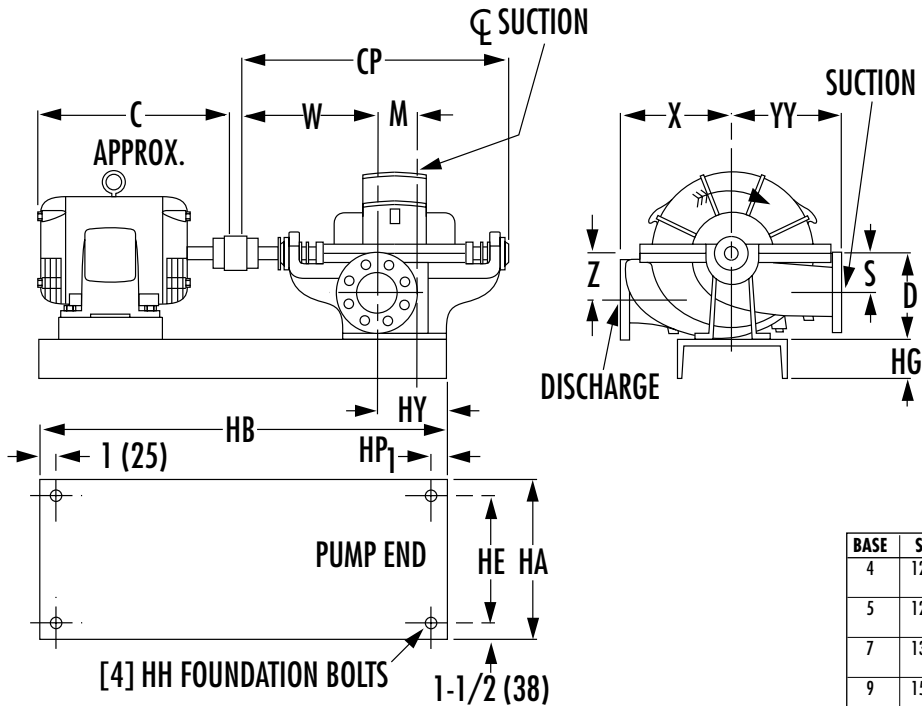
### NOTES

1. All dimensions are in inches.
2. Dimensions may vary  $\pm 3/8$ ".
3. Not for construction purposes unless certified.
4. Coupling gap may vary  $1/8$ " thru  $1$ ".
5. Conduit box is shown in approximate location. Dimensions are not specified as they vary with each motor manufacturer.
6. Suction and discharge flanges are ANSI standard flat face.

BASE	SIZE	HA	HB	HE	HG	HH	HP
4	12x34	12 (305)	34 (863)	9 (228)	3 (76)	1/2 (13)	20 (508)
5	12x38	12 (305)	38 (964)	9 (228)	3 (76)	1/2 (13)	20 (508)
7	13x42	13 (330)	42 (1066)	10 (254)	4 (102)	5/8 (16)	24 (609)
9	15x44	15 (381)	44 (1117)	12 (305)	3-3/8 (86)	5/8 (16)	24 (609)
11	18x48	18 (457)	48 (1218)	15 (381)	4 (102)	5/8 (16)	1 (25)
12	18x54	18 (457)	54 (1371)	15 (381)	4 (102)	5/8 (16)	1 (25)
13	18x60	18 (457)	60 (1523)	15 (381)	4 (102)	5/8 (16)	24 (609)
15	22x60	22 (558)	60 (1523)	19 (482)	4 (102)	5/8 (16)	1 (25)
16	22x72	22 (558)	72 (1827)	19 (482)	4 (102)	5/8 (16)	1 (25)
17	22x84	22 (558)	84 (2134)	19 (482)	4 (102)	5/8 (16)	1 (25)

PUMP SIZE		STANDARD 125# SUCTION FLANGE, 250# DISCHARGE FLANGE	OPTIONAL 250# SUCTION AND DISCHARGE FLANGES	STANDARD 5x5x12 & 6x6x12 150# SUCTION FLANGE, 300# DISCHARGE FLANGE	OPTIONAL 5x5x12 & 6x6x12 300# SUCTION AND DISCHARGE FLANGES	145T	182T	184T	213T	215T	254T	261T	284T	286T	286TS	286T	324TS	324T	326TS	326T	364TS	364T	365TS	365T	404TS	404T	405TS	405T	444TS	444T	445TS	445T	447TS	447T				
DISCH	SUCTION	CASE BORE	POWER SERIES	D	M	S	W	Z	CP	HY	X	YY	C FRAME	(305)	(330)	(355)	(406)	(457)	(533)	(584)	(609)	(609)	(635)	(660)	(660)	(711)	(685)	(736)	(711)	(761)	(838)	(787)	(863)	(914)	(991)	(1143)		
2	2-1/2	12	2	9 (228)	4-3/4 (121)	4 (102)	15-3/4 (400)	5-1/2 (140)	26-1/4 (666)	3-3/4 (95)	10 (254)	10-1/4 (260)	BASE	4	4	4	5	5	9	9	9	9	9	9	9	9	9	9	9	9	9	9	9	9	9	9	9	
2-1/2	3	12	2	9-3/4 (248)	5-3/8 (136)	4 (102)	15-7/8 (403)	5-1/2 (140)	26-1/4 (666)	3-5/8 (92)	11 (279)	11 (279)	BASE	4	4	4	5	5	9	9	9	9	9	9	9	9	9	9	9	9	9	9	9	9	9	9	9	9
3	4	14	3	11 (279)	6-3/4 (171)	4-1/2 (114)	18-3/4 (476)	6 (152)	31 (787)	4-1/4 (108)	12 (305)	12-3/8 (314)	BASE	5	5	7	7	9	11	11	11	11	11	11	11	11	11	11	11	11	11	11	11	11	11	11	11	11
4	5	15	3	11 (279)	7-1/8 (181)	5 (130)	18-7/8 (479)	6-1/2 (165)	31 (787)	4-1/8 (105)	13 (330)	13-1/2 (343)	BASE					9	11	11	11	11	11	11	11	11	11	11	11	11	11	11	11	11	11	11	11	11
5	5	12	4A	14 (356)	6-5/8 (168)	7 (178)	20-7/8 (530)	7 (178)	35-3/8 (899)	11-1/8 (283)	13 (330)	13 (330)	BASE													16	16	16	16	16	16	16	16	16	16	16	16	
5	6	15	4	12-1/2 (317)	9-1/8 (232)	5-1/2 (140)	21-1/8 (536)	7-1/2 (190)	34-1/2 (876)	4-7/8 (124)	15 (381)	15-7/16 (392)	BASE					11	12	12	12	12	12	12	12	12	12	12	12	13	15	15	15	15	16	16	16	
6	6	12	5A	15 (381)	7-1/2 (191)	8 (203)	22-7/8 (581)	8 (203)	38-1/2 (978)	10-7/8 (276)	14 (356)	14 (356)	BASE																	16	16	16	16	16	16	16	16	
6	8	17	5	14-3/4 (374)	11 (279)	7 (178)	24-1/2 (622)	9 (228)	38 (964)	3-1/2 (89)	16 (406)	16-1/2 (419)	BASE						12	12	12	12	12	12	12	12	12	12	12	12	12	12	12	12	12	12	12	12

# 421 PUMPS ON STEEL BASE LEFT HAND PUMP



## LEFT HAND PUMP

### NOTES

1. All dimensions are in inches.
2. Dimensions may vary  $\pm 3/8"$ .
3. Not for construction purposes unless certified.
4. Coupling gap may vary  $1/8"$  thru  $1"$ .
5. Conduit box is shown in approximate location. Dimensions are not specified as they vary with each motor manufacturer.
6. Suction and discharge flanges are ANSI standard flat face.

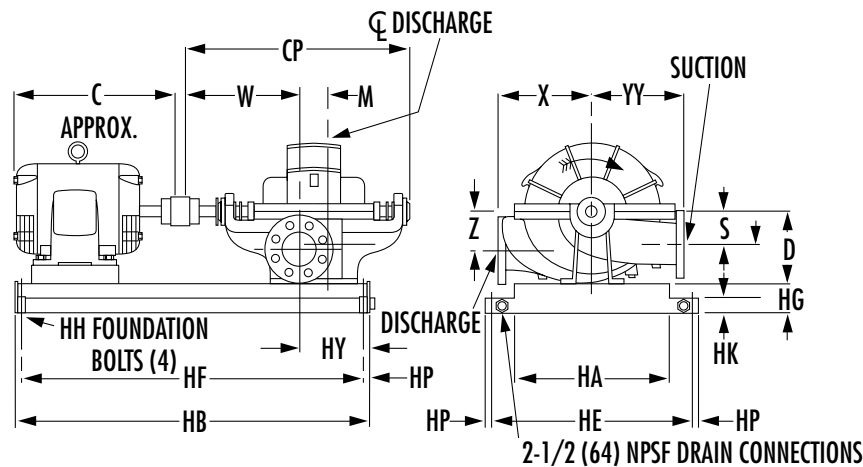
BASE	SIZE	HA	HB	HE	HG	HH	HP
4	12x34	12 (305)	34 (863)	9 (228)	3 (76)	1/2 (13)	20 (508)
5	12x38	12 (305)	38 (964)	9 (228)	3 (76)	1/2 (13)	20 (508)
7	13x42	13 (330)	42 (1066)	10 (254)	4 (102)	5/8 (16)	24 (609)
9	15x44	15 (381)	44 (1117)	12 (305)	3-3/8 (86)	5/8 (16)	24 (609)
11	18x48	18 (457)	48 (1218)	15 (381)	4 (102)	5/8 (16)	1 (25)
12	18x54	18 (457)	54 (1371)	15 (381)	4 (102)	5/8 (16)	1 (25)
13	18x60	18 (457)	60 (1523)	15 (381)	4 (102)	5/8 (16)	24 (609)
15	22x60	22 (558)	60 (1523)	19 (482)	4 (102)	5/8 (16)	1 (25)
16	22x72	22 (558)	72 (1827)	19 (482)	4 (102)	5/8 (16)	1 (25)
17	22x84	22 (558)	84 (2134)	19 (482)	4 (102)	5/8 (16)	1 (25)

PUMP SIZE		STANDARD 125# SUCTION FLANGE, 250# DISCHARGE FLANGE	OPTIONAL 250# SUCTION AND DISCHARGE FLANGES	STANDARD 5x5x12 & 6x6x12 150# SUCTION FLANGE, 300# DISCHARGE FLANGE	OPTIONAL 5x5x12 & 6x6x12 300# SUCTION AND DISCHARGE FLANGES	145T	182T	184T	213T	215T	254T	256T	284TS	286T	286TS	324TS	324T	326TS	326T	364TS	364T	365TS	404TS	404T	405TS	405T	444TS	444T	447TS	447T														
DISCH	SUCTION	CASE BORE	POWER SERIES	D	M	S	W	Z	CP	HY	X	YY	C FRAME	(305)	(330)	(355)	(406)	(457)	(533)	(584)	(558)	(609)	(609)	(635)	(635)	(660)	(660)	(711)	(685)	(711)	(736)	(761)	(761)	(838)	(863)	(863)	(914)	(991)	(1143)					
2	2-1/2	12	2	9 (228)	4-3/4 (121)	4 (102)	13-1/4 (337)	5-1/2 (140)	26-1/4 (666)	6-1/4 (159)	10 (254)	10-1/4 (260)	BASE	4	4	4	5	5	9	9	9	9	9	11	11	11	11	11	11	11	11	11	11	11	11	11	11	11	11	11	11			
2-1/2	3	12	2	9-3/4 (248)	5-3/8 (136)	4 (102)	13-1/8 (333)	5-1/2 (140)	26-1/4 (666)	6-3/8 (162)	11 (279)	11 (279)	BASE	4	4	4	5	5	9	9	9	9	9	11	11	11	11	11	11	11	11	11	11	11	11	11	11	11	11	11	11	11	11	11
3	4	14	3	11 (279)	6-3/4 (171)	4-1/2 (114)	15-1/4 (387)	6 (152)	31 (787)	7-3/4 (197)	12 (305)	12-3/8 (314)	BASE	5	5	7	7	9	11	11	11	11	11	11	11	11	12	12	12	12	12	12	12	12	12	12	12	12	12	12	12	12	12	12
4	5	15	3	11 (279)	7-1/8 (181)	5 (130)	15-1/8 (384)	6-1/2 (165)	31 (787)	7-7/8 (257)	13 (330)	13-1/2 (343)	BASE					9	11	11	11	11	11	11	11	11	12	12	12	12	12	12	12	12	12	12	12	12	12	12	12	12	12	12
5	5	12	4A	14 (356)	6-5/8 (168)	7 (178)	18-1/8 (460)	7 (178)	35-3/8 (899)	13-7/8 (352)	13 (330)	13 (330)	BASE																															
5	6	15	4	12-1/2 (317)	9-1/8 (232)	5-1/2 (140)	16-7/8 (536)	7-1/2 (190)	34-1/2 (876)	9-1/8 (232)	15 (381)	15-7/16 (392)	BASE					11	12	12	12	12	12	12	12	12	12	12	12	12	12	12	12	12	12	12	12	12	12	12	12	12	12	12
6	6	12	5A	15 (381)	7-1/2 (191)	8 (203)	19-5/8 (498)	8 (203)	38-1/2 (978)	14-1/8 (359)	14 (356)	14 (356)	BASE																															
6	8	17	5	14-3/4 (374)	11 (279)	7 (178)	17-1/2 (445)	9 (228)	38 (964)	10-1/2 (267)	16 (406)	16-1/2 (419)	BASE					12	12	12	12	12	12	12	12	12	12	12	12	12	12	12	12	12	12	12	12	12	12	12	12	12	12	12





# 421 PUMPS ON STEEL DRIP RIM BASE LEFT HAND PUMP



## LEFT HAND PUMP

BASE	SIZE	HA	HB	HE	HF	HG	HH	HK	HP
3	9x33	9 (229)	33-1/2 (851)	13-3/4 (349)	32-1/4 (826)	3 (76)	3/8 (10)	1-1/2 (38)	5/8 (16)
5	11x36	11 (279)	36-1/2 (927)	15-7/8 (403)	35-1/8 (892)	3 (76)	1/2 (13)	1-1/2 (38)	11/16 (17)
6	11x42	11 (279)	42-1/2 (1080)	15-7/8 (403)	41-1/8 (1045)	3 (76)	1/2 (13)	1-1/2 (38)	11/16 (17)
8	14x42	14 (356)	42-1/2 (1080)	19 (483)	41 (1041)	3 (76)	5/8 (16)	1-1/2 (38)	3/4 (19)
9	14x48	14 (356)	48-1/2 (1232)	19 (483)	47 (1194)	3 (76)	5/8 (16)	1-1/2 (38)	3/4 (19)
10	14x56	14 (356)	56-1/2 (1435)	19 (483)	55 (1397)	3 (76)	5/8 (16)	1-1/2 (38)	3/4 (19)
11	18x46	18 (457)	46-1/2 (1181)	25-1/8 (638)	44-7/8 (1140)	4 (102)	3/4 (19)	2 (51)	13/16 (21)
12	18x54	18 (457)	54-1/2 (1384)	25-1/8 (638)	52-7/8 (1343)	4 (102)	3/4 (19)	2 (51)	13/16 (21)
13	18x64	18 (457)	64-1/2 (1638)	25-1/8 (638)	62-7/8 (1597)	4 (102)	3/4 (19)	2 (51)	13/16 (21)
15	22x54	22 (559)	54-1/2 (1384)	29-1/8 (740)	52-7/8 (1343)	4-1/2 (114)	3/4 (19)	2 (51)	13/16 (21)
16	22x64	22 (559)	64-1/2 (1638)	29-1/8 (740)	62-7/8 (1597)	4-1/2 (114)	3/4 (19)	2 (51)	13/16 (21)
17	22x74	22 (559)	74-1/2 (1892)	29-1/8 (740)	72-7/8 (1851)	4-1/2 (114)	3/4 (19)	2 (51)	13/16 (21)
18	22x82	22 (559)	82-1/2 (2273)	29-1/8 (740)	80-7/8 (2054)	4-1/2 (114)	3/4 (19)	2 (51)	13/16 (21)

### NOTES

1. All dimensions are in inches.
2. Dimensions may vary  $\pm 3/8"$ .
3. Not for construction purposes unless certified.
4. Coupling gap may vary  $1/8"$  thru  $1"$ .
5. Conduit box is shown in approximate location. Dimensions are not specified as they vary with each motor manufacturer.
6. Suction and discharge flanges are ANSI standard flat face.

PUMP SIZE		STANDARD 125# SUCTION FLANGE, 250# DISCHARGE FLANGE	OPTIONAL 250# SUCTION AND DISCHARGE FLANGES	STANDARD 5x5x12 & 6x6x12 150# SUCTION FLANGE, 300# DISCHARGE FLANGE	OPTIONAL 5x5x12 & 6x6x12 300# SUCTION AND DISCHARGE FLANGES	145T (330)	182T (355)	184T (406)	213T (457)	215T (533)	254T (584)	256T (598)	284T (609)	286T (635)	324T (660)	326T (660)	364T (685)	366T (736)	365T (711)	365T (761)	404T (761)	405T (838)	405T (787)	444T (663)	444T (965)	445T (914)	445T (1016)	447T (991)	447T (1143)														
DISCH	SUCTION	CASE BORE	POWER SERIES	D	M	S	W	Z	CP	HY	X	YY	C FRAME	13	13	14	16	18	21	23	24	24	25	25	26	26	28	28	29	29	30	30	33	34	34	38	36	40	39	45			
2	2-1/2	12	2	9 (228)	4-3/4 (121)	4 (102)	13-1/4 (337)	5-1/2 (140)	26-1/4 (666)	6-3/4 (171)	10 (254)	10-1/4 (260)	BASE	3	3	5	6	8	8	8	8	9	9	9	11	11	11	11	12	12	12												
2-1/2	3	12	2	9-3/4 (248)	5-3/8 (136)	4 (102)	13-1/8 (333)	5-1/2 (140)	26-1/4 (666)	6-7/8 (175)	11 (279)	11 (279)	BASE	3	3	5	6	8	8	8	9	9	9	11	11	11	11	12	12	12													
3	4	14	3	10-3/4 (273)	6-3/4 (171)	4-1/2 (114)	15-1/4 (387)	6 (152)	31 (787)	8-1/4 (210)	12 (305)	12-3/8 (314)	BASE					6	9	9	9	9	9	12	12	12	12	12	12	12	15	16	15										
4	5	15	3	11 (279)	7-1/8 (181)	5 (130)	15-1/8 (460)	6-1/2 (165)	31 (787)	8-3/8 (213)	13 (330)	13-1/2 (343)	BASE							9	9	9	9	12	12	12	12	12	12	15	16	15	16	16	16	16							
5	5	12	4A	14 (356)	6-5/8 (168)	7 (178)	18-1/8 (460)	7 (178)	35-3/8 (899)	13-7/8 (352)	13 (330)	13 (330)	BASE																17	17	17	17	17	17	17	17	18	18					
5	6	15	4	12-1/2 (317)	9-1/8 (232)	5-1/2 (140)	16-7/8 (429)	7-1/2 (190)	34-1/2 (876)	9-5/8 (244)	15 (381)	15-7/16 (392)	BASE														12	12	12	12	12	13	16	16	16	16	16	16	16				
6	6	12	5A	15 (381)	7-1/2 (191)	8 (203)	19-5/8 (498)	8 (203)	38-1/2 (978)	14-1/8 (359)	14 (356)	14 (356)	BASE																	17	17	17	17	17	17	17	18	18					
6	8	17	5	14-3/4 (374)	11 (279)	7 (178)	17-1/2 (445)	9 (228)	38 (964)	11 (279)	16 (406)	16-1/2 (419)	BASE																														



**800 Airport Road | North Aurora, Illinois 60542 | Ph: 630.859.7000 | [pentair.com](http://pentair.com)**

All indicated Pentair trademarks and logos are property of Pentair. Third party registered and unregistered trademarks and logos are the property of their respective owners. Because we are continuously improving our products and services, Pentair reserves the right to change specifications without prior notice. Pentair is an equal opportunity employer.

©2021 Pentair. All Rights Reserved.

201812514281644104-DT (06-30-2021)