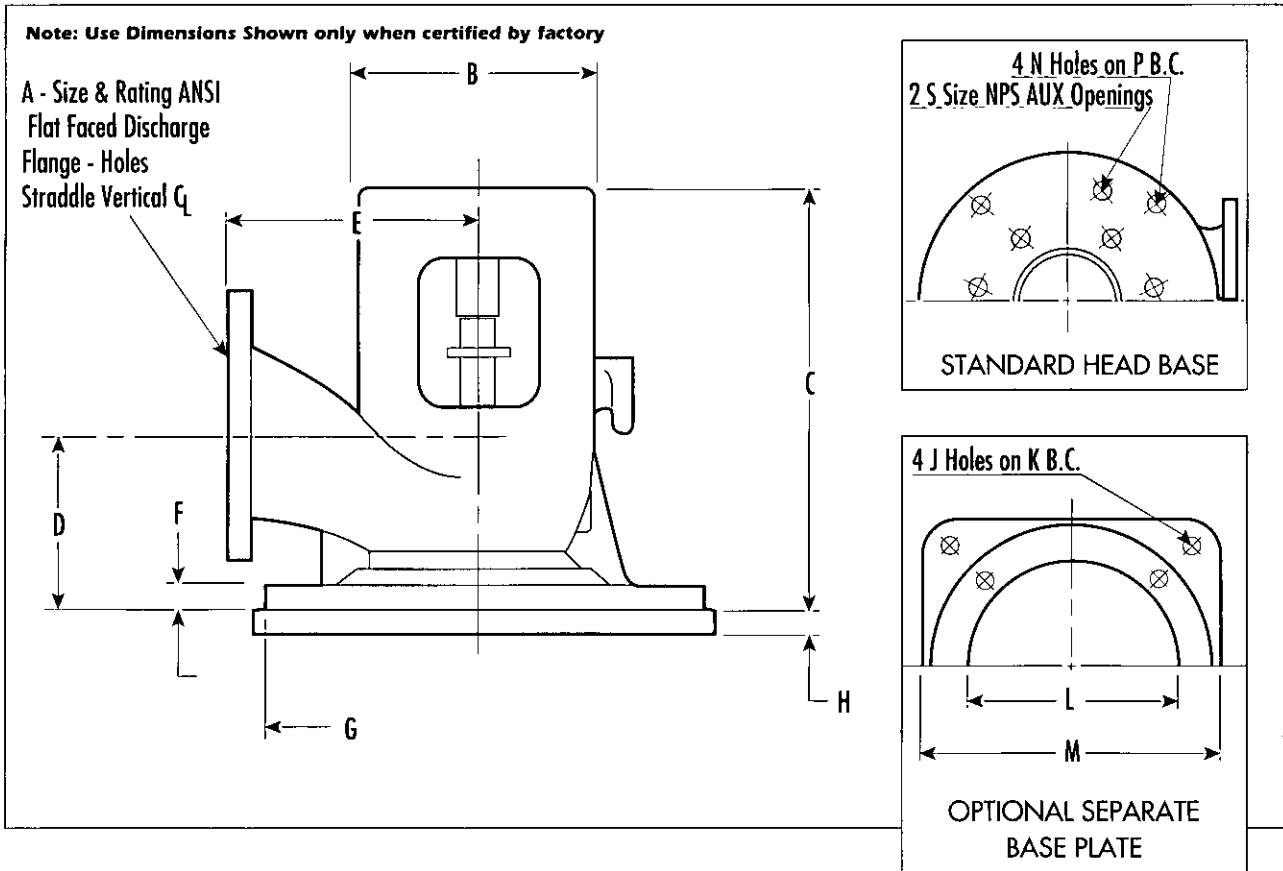


ENGINEERING data
DISCHARGE HEAD

CAST IRON - VLH HEAD 4" - 12"



All Dimensions in Inches

MODEL	A		B	C	D	E	F	G	H	J	K	L	M	STANDARD		(1) 125	
	125	250												N	P	R	S
VLH412	4	4	10,12	16-1/2	6	9	3/4	16	1-1/2	3/4	18-1/4	11-1/4	16-1/4	3/4	14-1/4	10	1/2
VLH612	6	6	10,12	21-1/2	7	11-1/2	1	21	1-1/2	1	24-1/4	14-1/2	21-1/4	3/4	18-3/4	14	3/4
VLH616	6	6	16.5	20	7	11-1/2	3/4	21	1-1/2	1	24-1/4	14-1/2	21-1/4	3/4	18-3/4	14	3/4
VLH812	8	8	10,12	21-1/2	8-1/2	13	1-1/8	23-1/2	2	1	27-1/4	16-1/2	23-3/4	7/8	21-1/4	16	3/4
VLH816	8	8	16.5	22	8-1/2	13	7/8	23-1/2	2	1	27-1/4	16-1/2	23-3/4	7/8	21-1/4	16	3/4
VLH1018	10	10	16.5,20	25	11	15	1-1/4	27-1/2	2	1-1/8	31-1/2	20-1/2	27-3/4	7/8	25	20	1
VLH1225	12	12	24.5	26	11-1/2	17	1-1/8	32	2	1-1/8	37	24-1/2	32-1/4	7/8	29-1/2	24	1

(1) Base may be drilled to match "R" size 125 lb flange