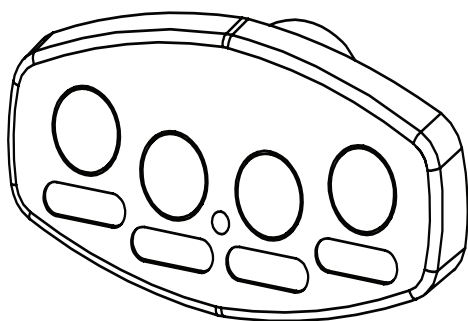




iS4 SPA-SIDE REMOTE CONTROL FOR USE WITH PENTAIR CONTROL SYSTEMS



INSTALLATION AND USER'S GUIDE

IMPORTANT SAFETY INSTRUCTIONS
READ AND FOLLOW ALL INSTRUCTIONS
SAVE THESE INSTRUCTIONS

CUSTOMER SERVICE / TECHNICAL SUPPORT

If you have questions about ordering Pentair Aquatic Systems replacement parts, and pool products, please use the following contact information:

Customer Service

(8 AM to 4:30 PM
Eastern and Pacific Times
Phone: (800) 831-7133
Fax: (800) 284-4151

Web site

Visit www.pentairpool.com or
www.staritepool.com

Technical Support

Sanford, North Carolina

(8 A.M. to 4:30 PM ET)
Phone: (919) 566-8000
Fax: (919) 566-8920

Moorpark, California

(8 A.M. to 4:30 PM, PT)
Phone: (805) 553-5000 (Ext. 5591)
Fax: (805) 553-5515

TABLE OF CONTENTS

Important Warning and Safety Instructions	i
Overview	1
INSTALLATION	1
iS4 Required Mounting Space	1
iS4 Spa-Side Remote Gunite Installation.....	2
Gunite Spa Installation	3
Acrylic Spa Or Hot-Tub Installation.....	3
Upgrade For SS4 Installation.....	4



IMPORTANT WARNING AND SAFETY INSTRUCTIONS



IMPORTANT NOTICE

Attention Installer: This Installation and User's Guide ("Guide") contains important information about the installation, operation and safe use of this spa side remote control. This Guide should be given to the owner and/or operator of this equipment.

Attention User: This manual contains important information that will help you in operating and maintaining this product. Please retain it for future reference.



Before installing this product, read and follow all warning notices and instructions in this Guide. Failure to follow warnings and instructions can result in severe injury, death, or property damage. Call (800) 831-7133 for additional free copies of these instructions. Please refer to www.pentairpool.com for more information related to this products.



This product must be installed by a licensed or certified electrician or a qualified pool professional in accordance with the current National Electrical Code (NEC), NFPA 70 or the Canadian Electrical Code (CEC), CSA C22.1.

All applicable local installation codes and ordinances must also be adhered to. Improper installation will create an electrical hazard which could result in death or serious injury to pool users, installers or others due to electrical shock, and may also cause damage to property.



Before installing or servicing this product, always disconnect the main system power at the circuit breaker. Failure to do so could result in death or serious injury to service professional, pool users or others due to electrical shock.

READ AND FOLLOW ALL INSTRUCTIONS IN THIS MANUAL SAVE THESE INSTRUCTIONS

OVERVIEW

iS4 Spa-Side Remote Control

The iS4 Spa-Side Control can be used with the Pentair® IntelliTouch®, EasyTouch® Control Systems and the Compool® CP series Control Systems to provide remote switching of four control circuits from the spa location. It is typically used for activating spa circulation and three auxiliary pieces of equipment (such as lights, jet pump, air blower, etc.). One iS4 spa-side control can be installed per control system. It is possible to install two iS4 remotes on a single control system, however, the two iS4 remotes will mirror each other in functionality. The iS4 spa-side remote is a double-insulated device UL and ETL listed to UL 1563. It is splash-proof and weatherproof but should not be permanently submerged below the spa water level. The iS4 remote must be installed above the highest sustained water level.

The iS4 Spa-Side Remote red LED status light functions are as follows:

Spa Mode	N/A	Steady	Steady	Steady
Heating	N/A	N/A	Flashing	Flashing

When used with any Pentair Control System:

Voltage: 5 VDC
 Current: 2 mA maximum

iS4 Kit Contents

- Spa-side remote (with cable attached)
- iS4 Mounting Adapter (for acrylic spa and upgrade from SS4)
- Label Set

INSTALLATION

The iS4 spa-side remote is a double-insulated, waterproof device for installation at the water's edge. It is typically installed at the tile-line of the spa wall, or in the deck within arm's reach of a spa occupant. It can be used with a gunite spa, acrylic spa, or hot-tub. However, in order to install the spa-side remote into the wall of a gunite spa, provision must be made while the spa is being plumbed.

iS4 Required Mounting Space

To install the iS4 Spa-Side Remote into the wall of a gunite spa, provision must be made while the spa is being plumbed. For surface mounting (protruding from deck, tile or uneven surface), When installed, the iS4 remote requires the following space:

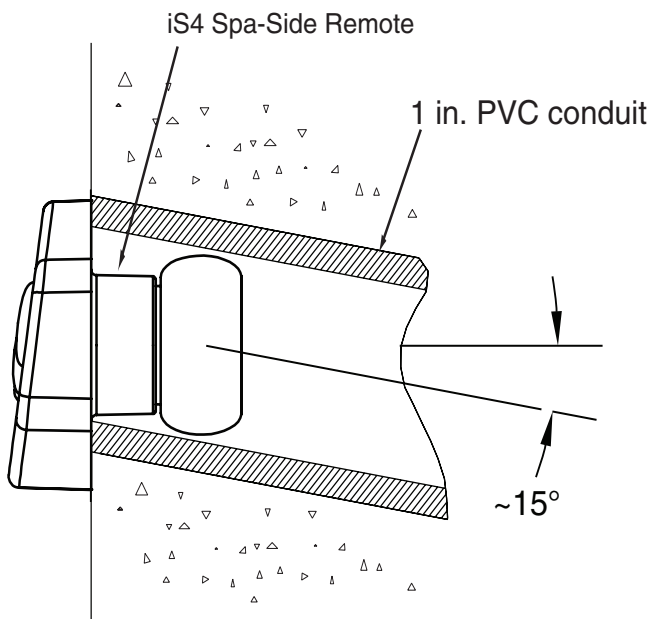
Flat Faceplate:	6-1/2" x 3-1/2"
Skirted Faceplate:	6" x 2-5/8" x 1-1/4" high
Material:	ABS plastic

NOTE: If the Automation Load Center or Power Center to which the spa-side remote is connected is **not** located above the spa water level, a junction box should be provided (above water level).

iS4 SPA-SIDE REMOTE GUNITE INSTALLATION

1. When plumbing the spa, install a 3 in. to 6 in. length of 1 in. Sch 40 PVC pipe (perpendicular to the spa wall) to provide a receptacle for the spa-side remote. Plumb the pipes level as possible. The “eyeball” design built into the remote compensate for a discrepancy of up to 15°. See Figure 1.
2. The pipe should protrude beyond the finished surface of the spa, as it will be cut back after surface-finishing is completed. Outside the spa, the conduit size may be reduced down to ½ in. or ¾ in., and run to the Control Power/Load Center.
3. Use sweep elbows for turns.

NOTE: For new gunite spa installations, the iS4 Mounting Adapter has no purpose and can be discarded.

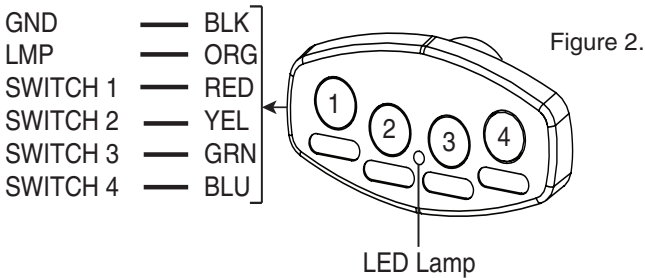


NOTE: DO NOT affix unit with epoxy to enable future upgrades.

Figure 1.

GUNITE SPA INSTALLATION

1. When the spa construction is completed, cut back the 1 in. diagonal PVC conduit receptacle flush with the spa wall finish or surface of deck.
2. Run spa-side remote cable through conduit to Control Power/Load Center. Use Figure 2 and the color call-out the on back of remote to wire unit.
3. Affix remote to 1 in. diagonal PVC conduit using a small amount of silicon on back of unit. Orient unit per Figure 3 for optimum usage by spa occupant. Attach appropriate labels to remote.



ACRYLIC SPA OR HOT-TUB INSTALLATION

1. Obtain optional Spa Wall Mounting Adapter and lock-nut (P/N SSADP).
2. Drill 1-5/8 in. diagonal hole in wall of spa or hot-tub. Insert Spa Wall Mounting Adapter, and use lock-nut on external surface of wall to secure Spa Wall Mounting Adapter into place. See Figure 3.
3. Glue ½ in. PVC conduit directly into back of the Spa Wall Mounting Adapter and run conduit to the Control Power/Load Center. Use sweep elbows for turns.
4. Bond iS4 Mounting Adapter provided over Spa Wall Mounting Adapter using silicon.
5. Run spa-side remote cable through conduit to control power/load center. Affix remote to iS4 Mounting Adapter using small amount of silicon on back of unit. Attach appropriate labels (P/N 522082) to the remote.

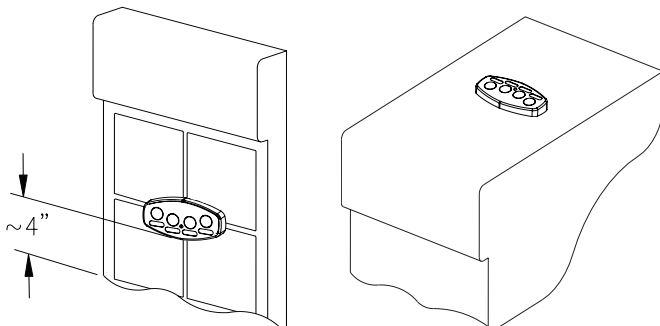


Figure 3.

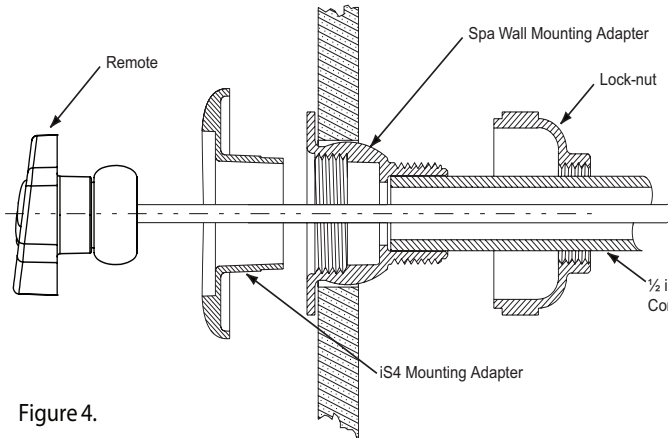


Figure 4.

UPGRADE FOR SS4 INSTALLATION

1. Remove existing SS4 making note of function and button color.
2. Orient iS4 Mounting Adapter to optimize usage by spa occupant per Figure 4.
3. Bond iS4 Mounting Adapter provided over existing Mounting Adapter using silicon. Run spa-side remote cable through conduit to Power/ Load Center. See Figure 5.
4. Use the color call-out description on back of remote to wire unit.
5. Affix remote to iS4 Mounting Adapter using small amount of silicon on back of unit.
6. Attach appropriate labels to remote.

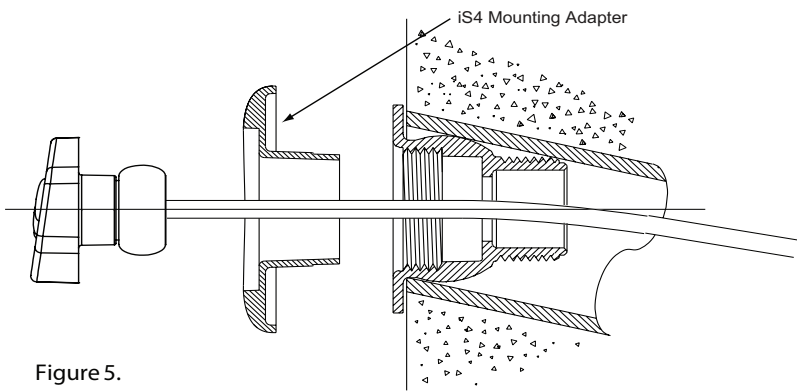


Figure 5.



PENTAIR AQUATIC SYSTEMS

1620 HAWKINS AVE., SANFORD, NC 27330 • (919) 566-8000
10951 WEST LOS ANGELES AVE., MOORPARK, CA 93021 • (805) 553-5000
WWW.PENTAIRPOOL.COM

All Pentair trademarks and logos are owned by Pentair, Inc. Pentair Aquatic Systems™, EasyTouch®, IntelliTouch®, and Compool® are trademarks and/or registered trademarks of Pentair Water Pool and Spa, Inc. and/or its affiliated companies in the United States and/ or other countries. Unless expressly noted, names and brands of third parties that may be used in this document are not used to indicate an affiliation or endorsement between the owners of these names and brands and Pentair Water Pool and Spa, Inc. Those names and brands may be the trademarks or registered trademarks of those third parties. Because we are continuously improving our products and services, Pentair reserves the right to change specifications without prior notice. Pentair is an equal opportunity employer.

© 2013 Pentair Aquatic Systems. All rights reserved. This document is subject to change without notice.



P/N 521639 REV. A 4/13